

130-393/94 *ET 07017

130-394/03 *ET 07913

130-393/95 *ET 07062

130-394/11 *ET 07909

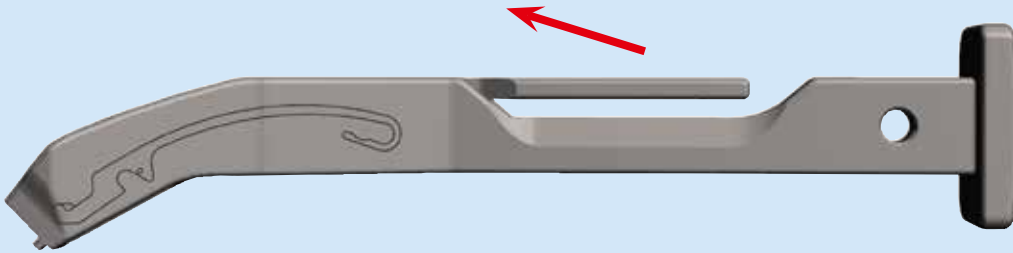
130-394/01 *ET 07909

130-394/12 *ET 09711

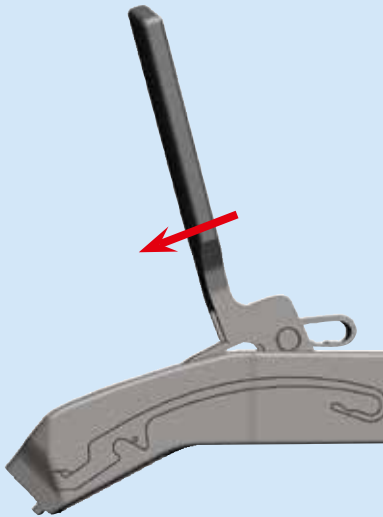
130-394/02 *ET 09711

130-394/13 *ET 09713

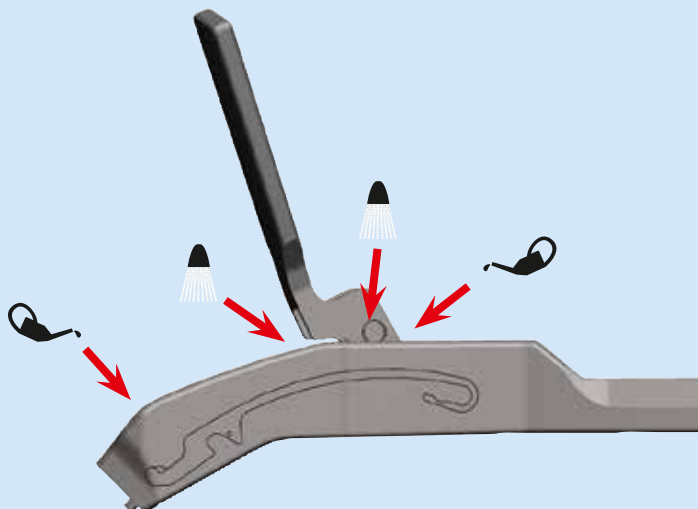
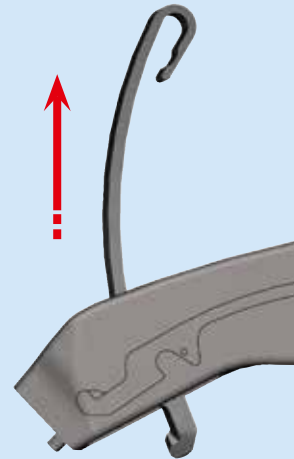
1.



2.



3.

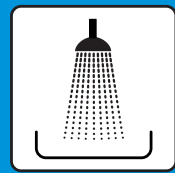


CE



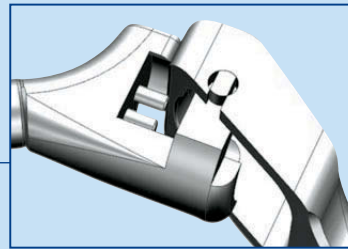
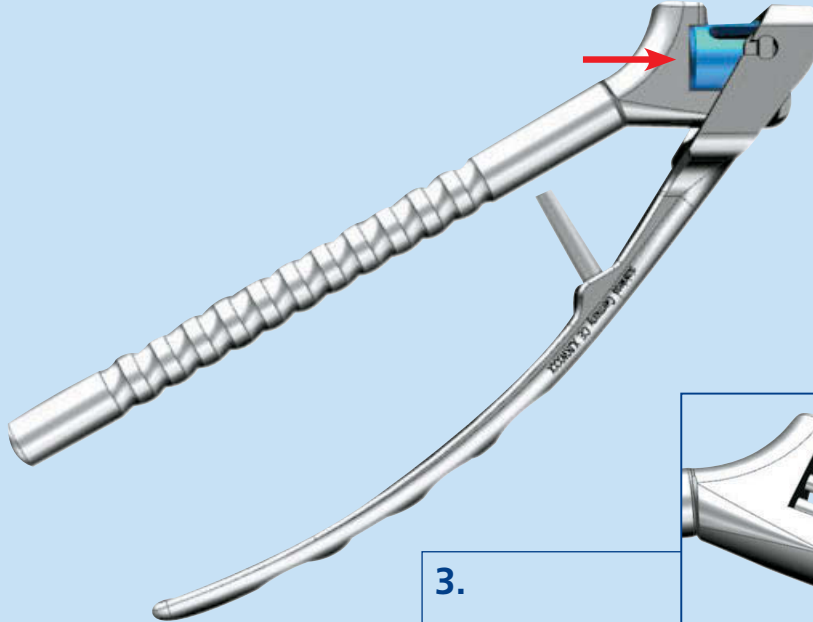
→ H50



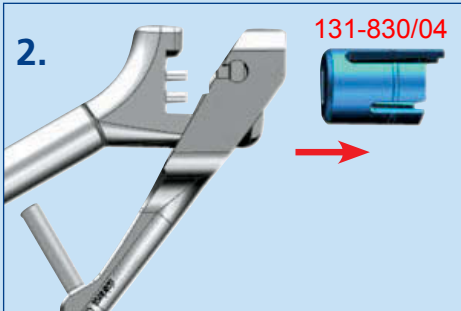


131-830/03

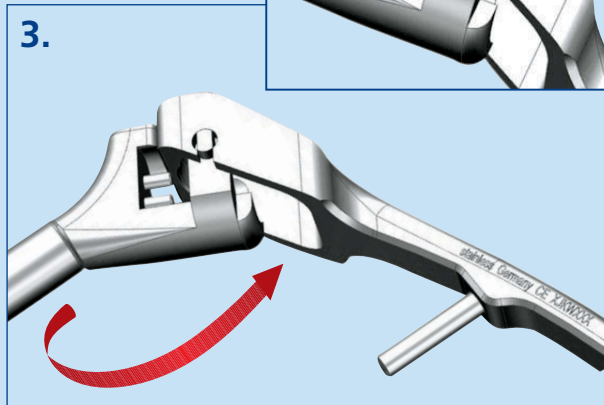
1.



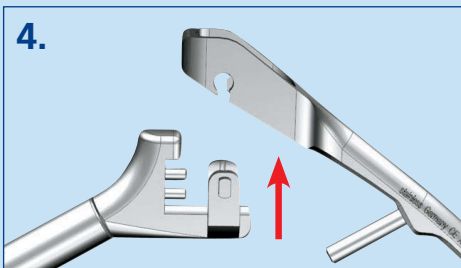
2.



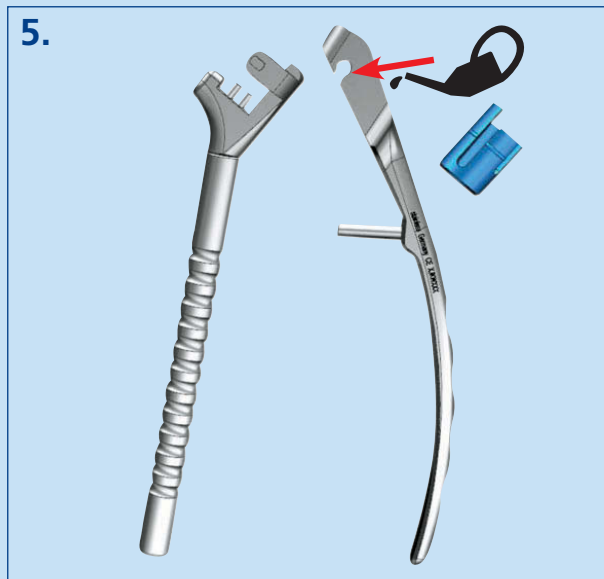
3.



4.

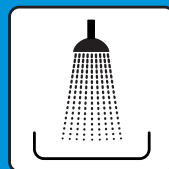


5.

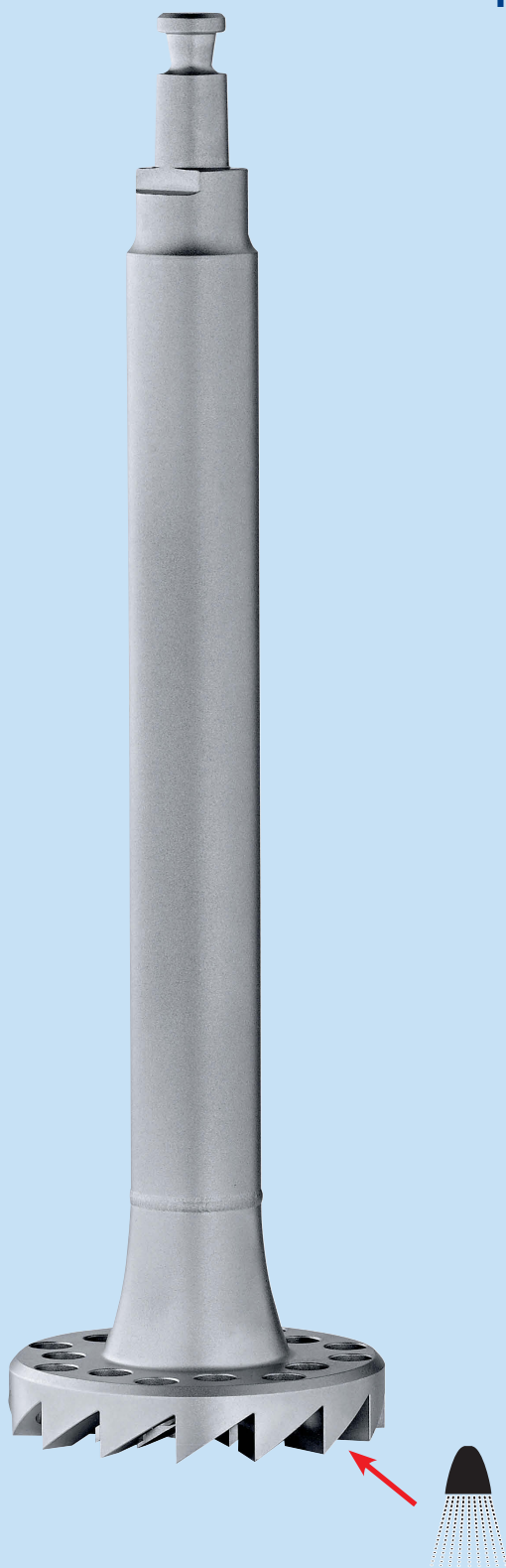


→ H50





130-406/02B
130-407/02B



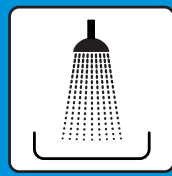
CE 0123

© LINK 981 Art. 130-406/02_130-407/02_2013-03_002

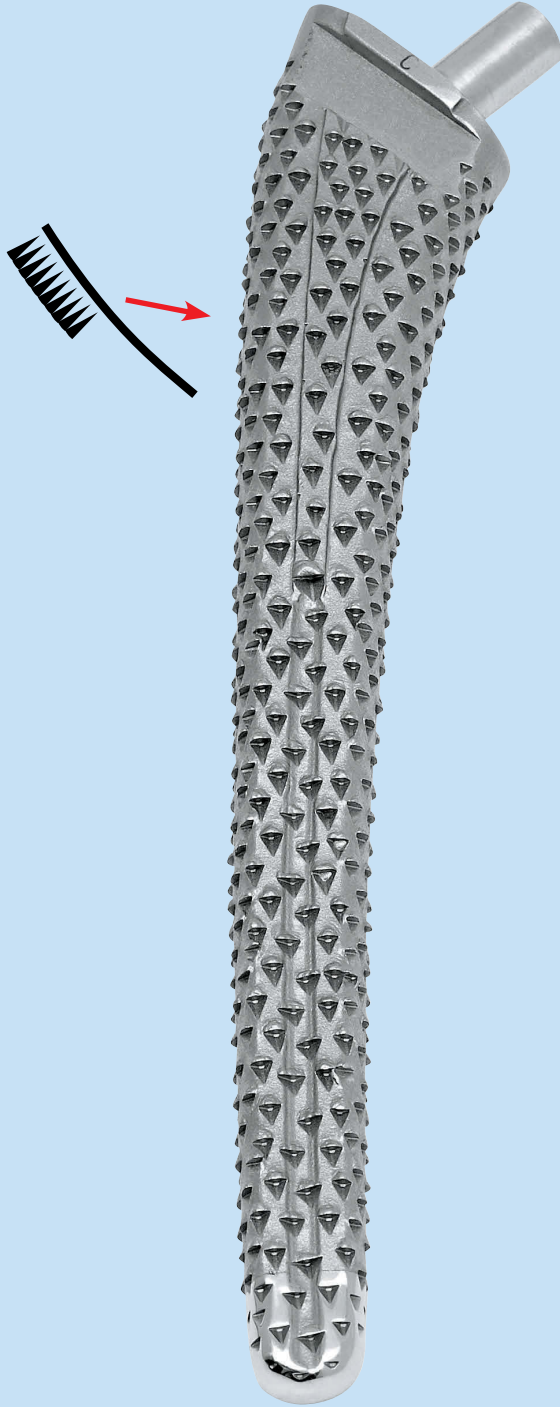


→ H50





**130-550/01 –
130-555/07**



© LINK 981 Art. 130-550/01_130-555/07 / 2012-10_001

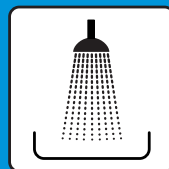
CE



→ **H50**



LINK®



130-610/01



© LINK 981 Art. 130-610/01_2012-01_001

CE

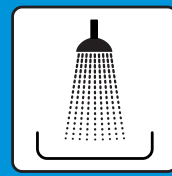


→ H50

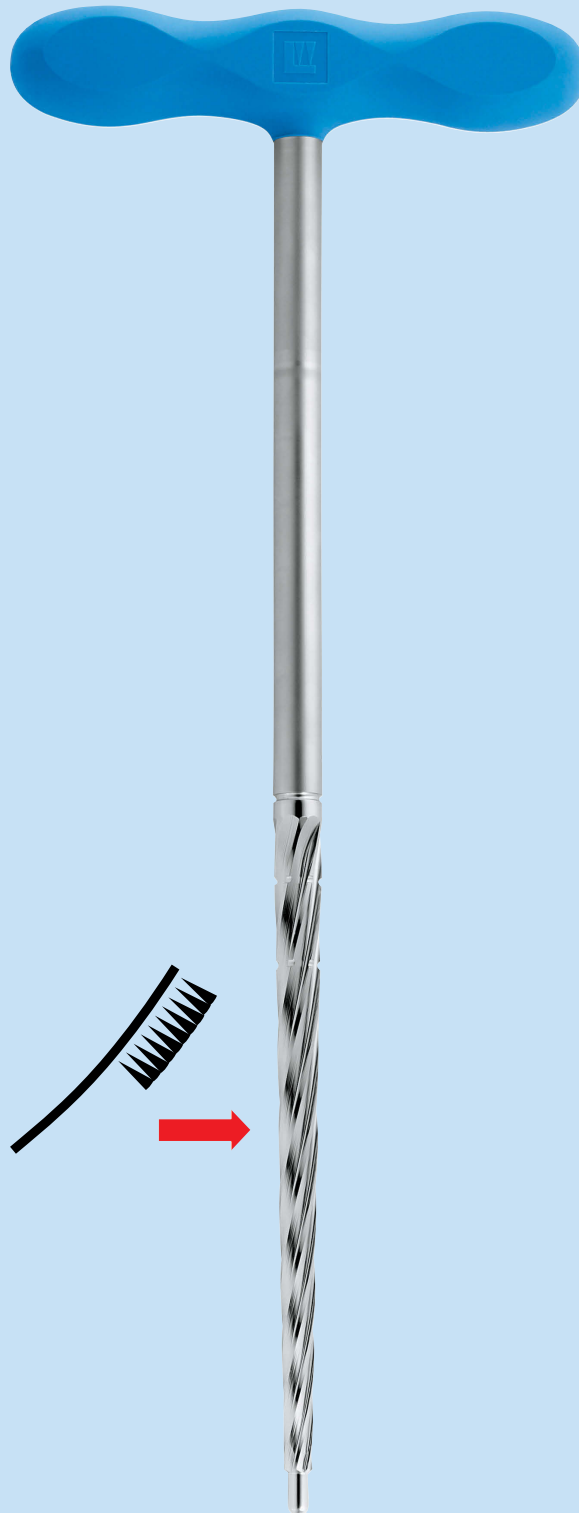


LINK® 
Waldemar Link GmbH & Co. KG

LINK[®]



130-617



© LINK 981 Art. 130-617_2012-01_001

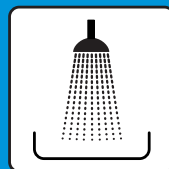
CE



H50



LINK[®] 
Waldemar Link GmbH & Co. KG

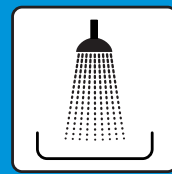


131-928/11 – 131-940/14
132-928/01 – 132-936/03



→ H50





131-528/17-
131-531/35



© LINK 981 Art. 131-528/17 / 2012-03 / 002

CE



→ H50

