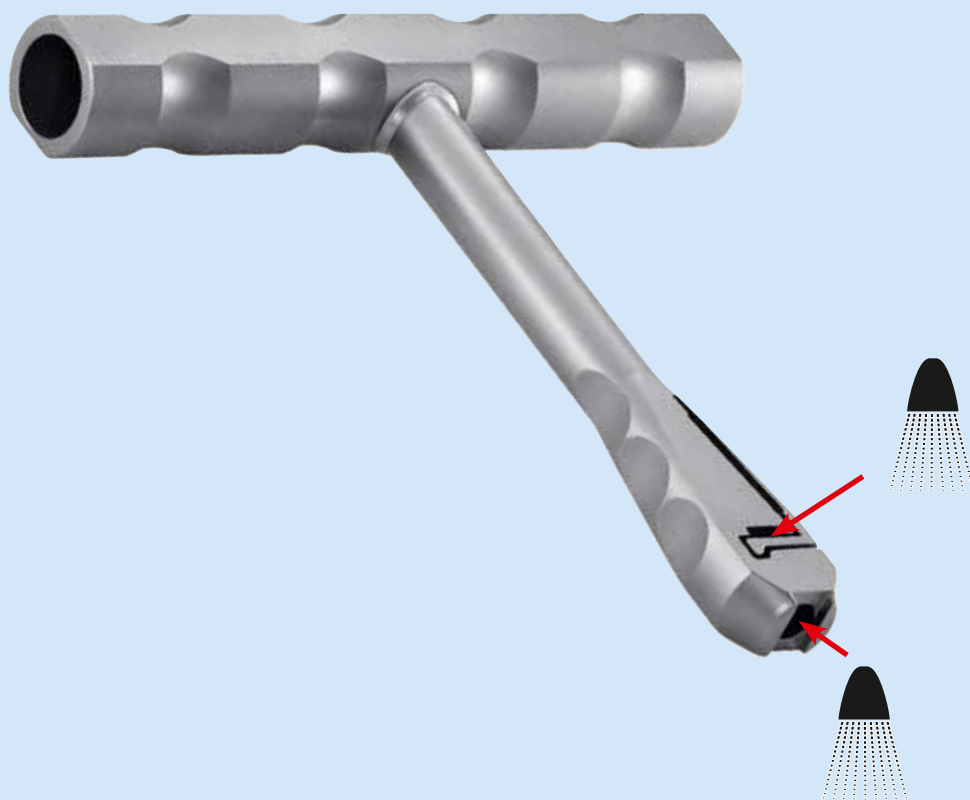


15-6053/00



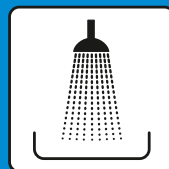
© LINK 981_Rein_15_6053/00_2014-01_001

CE



→ H50





131-385/01



© LINK 981_Rein_131-385/01_2008-07_001

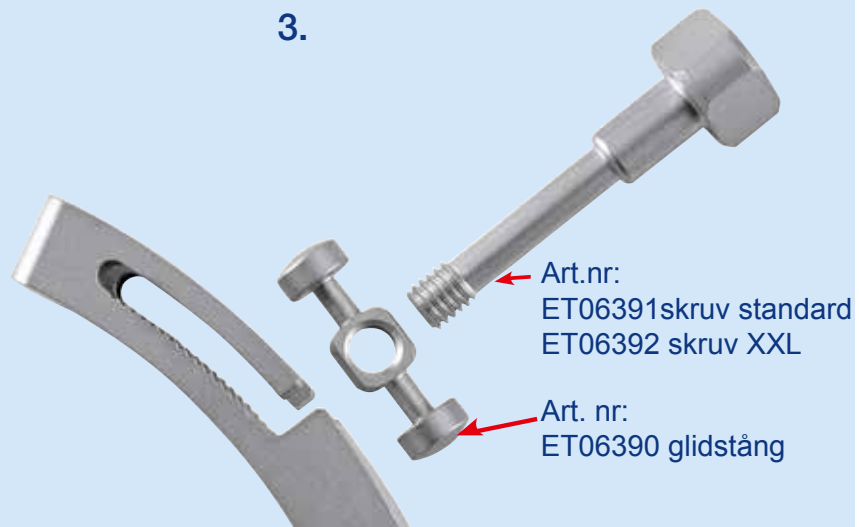
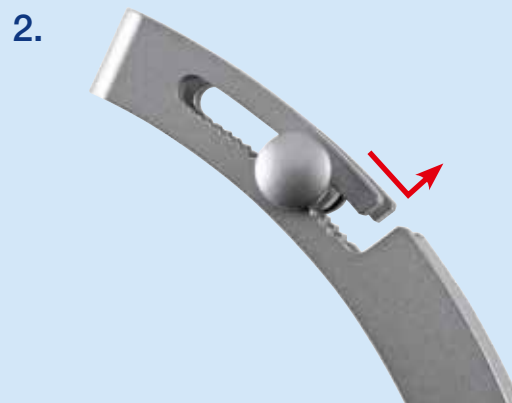
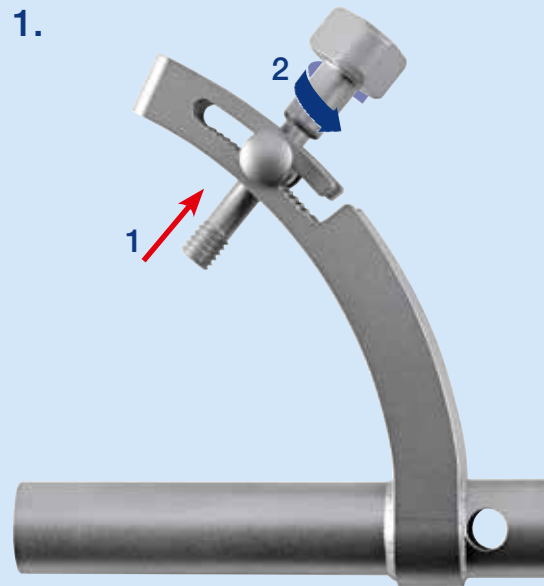
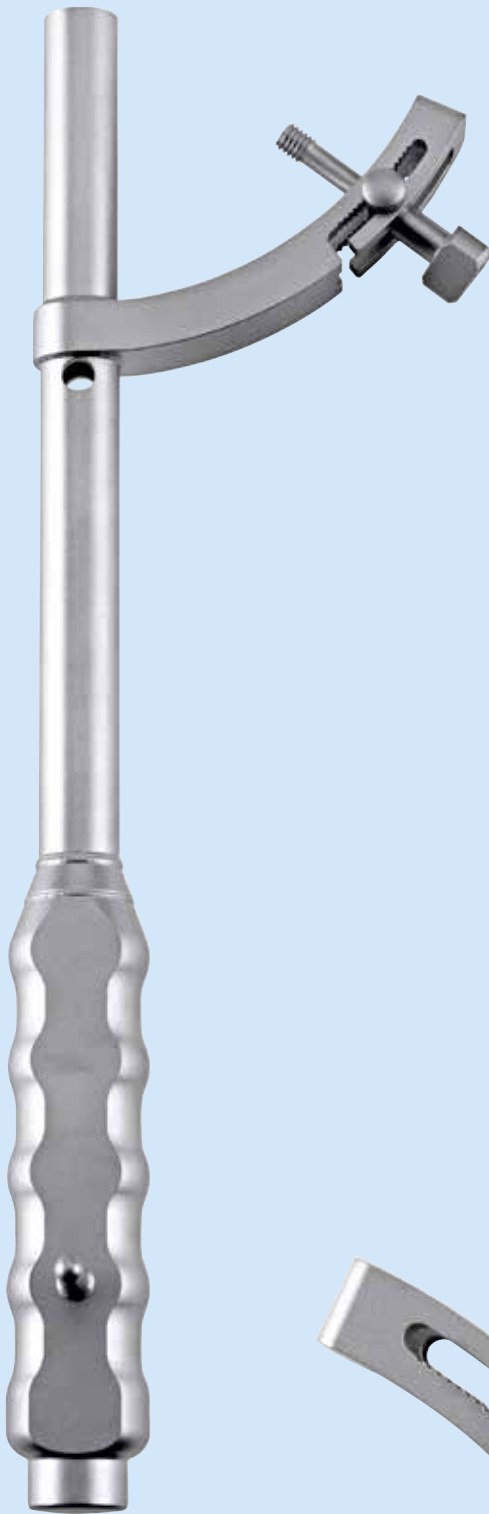
CE



→ H50



131-379/00



© LINK 981_Rein_131-379_00_2015-03_001

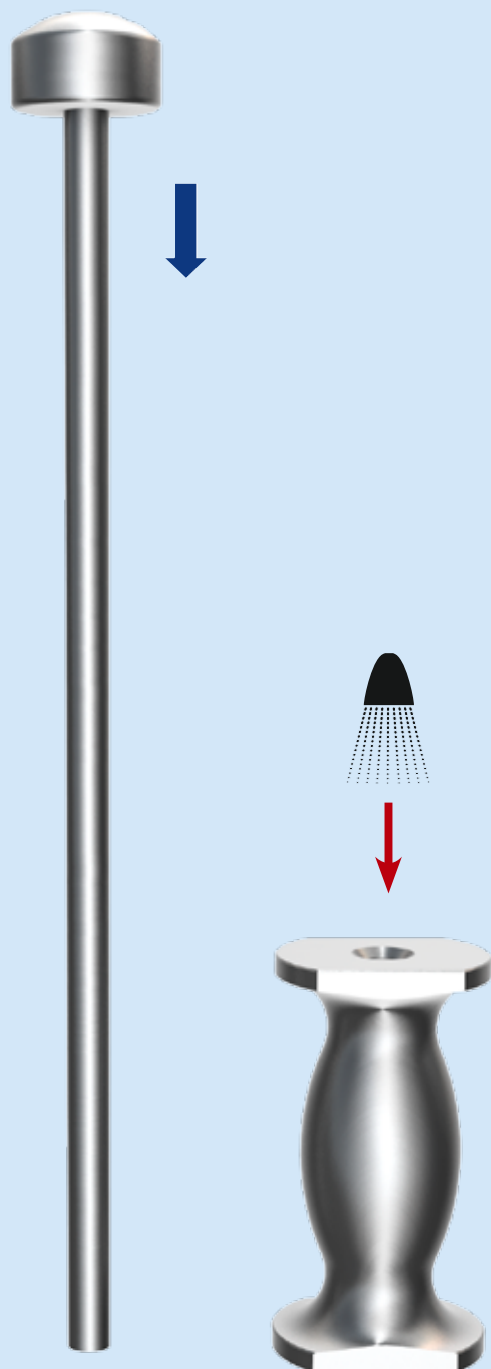
CE



→ H50



131-380/02
317-661



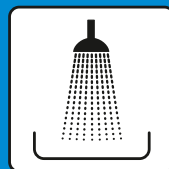
© LINK 981 Reih_131-380/02 317-661 2015-06_002

CE

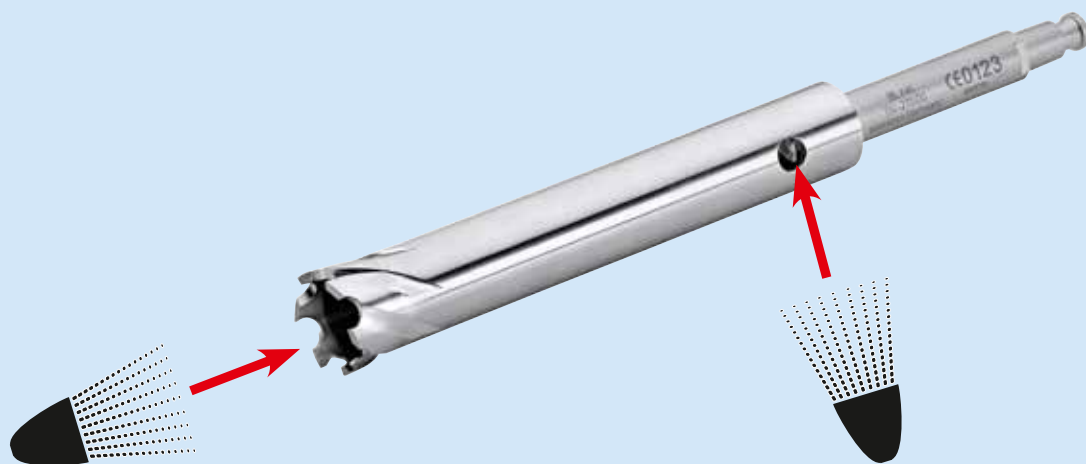


H50





131-384/01 -/04
134-200/00
134-211/00



© LINK_981_Rein_131-384/01 -/04, 134-200/00, 134-211/00_2015-08_004

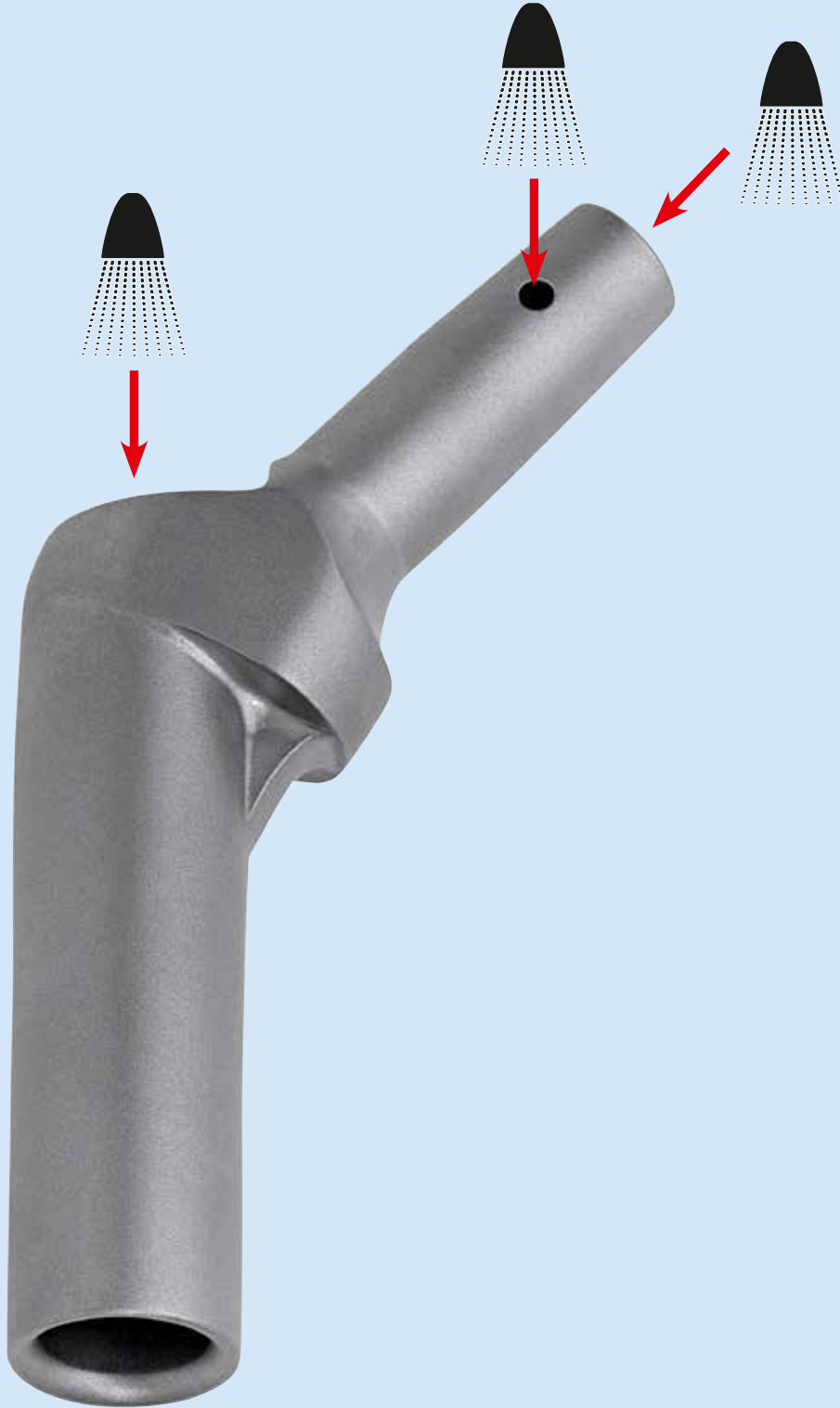
CE 0123



→ H50



131-393/26 - 131-396/35
99-0984/27 - 99-0984/33



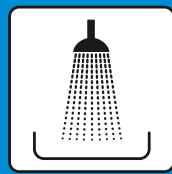
© LINK 981_Rein_131-393/26, 131-396/35, 99-0984/27 - 99-0984/33_2015-05_002

CE



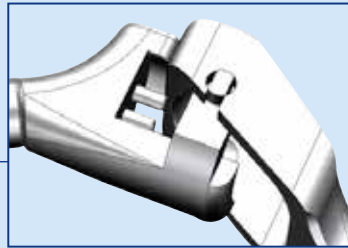
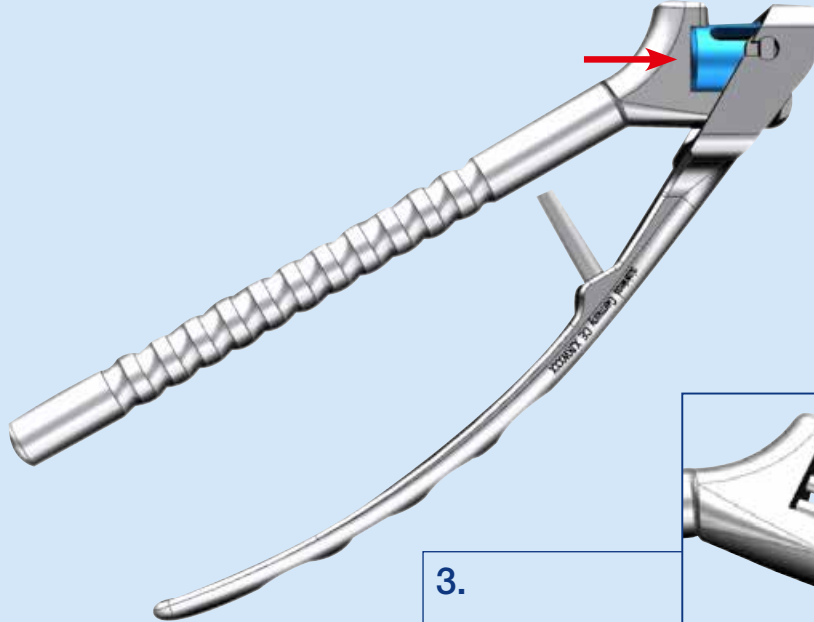
→ H50



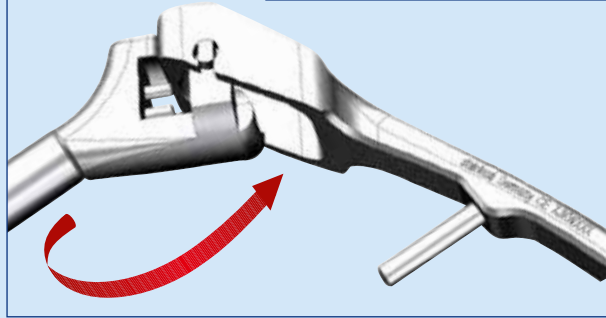


131-830/03
134-141/00

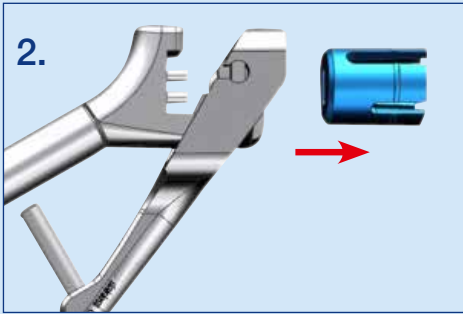
1.



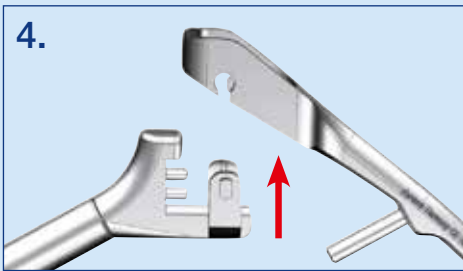
3.



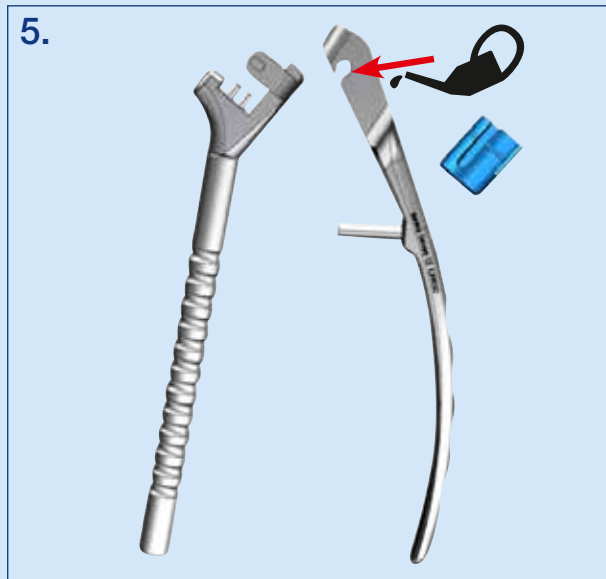
2.



4.



5.



→ H50

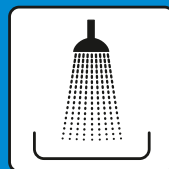


131-928/11 – 131-940/14
132-928/01 – 132-936/04

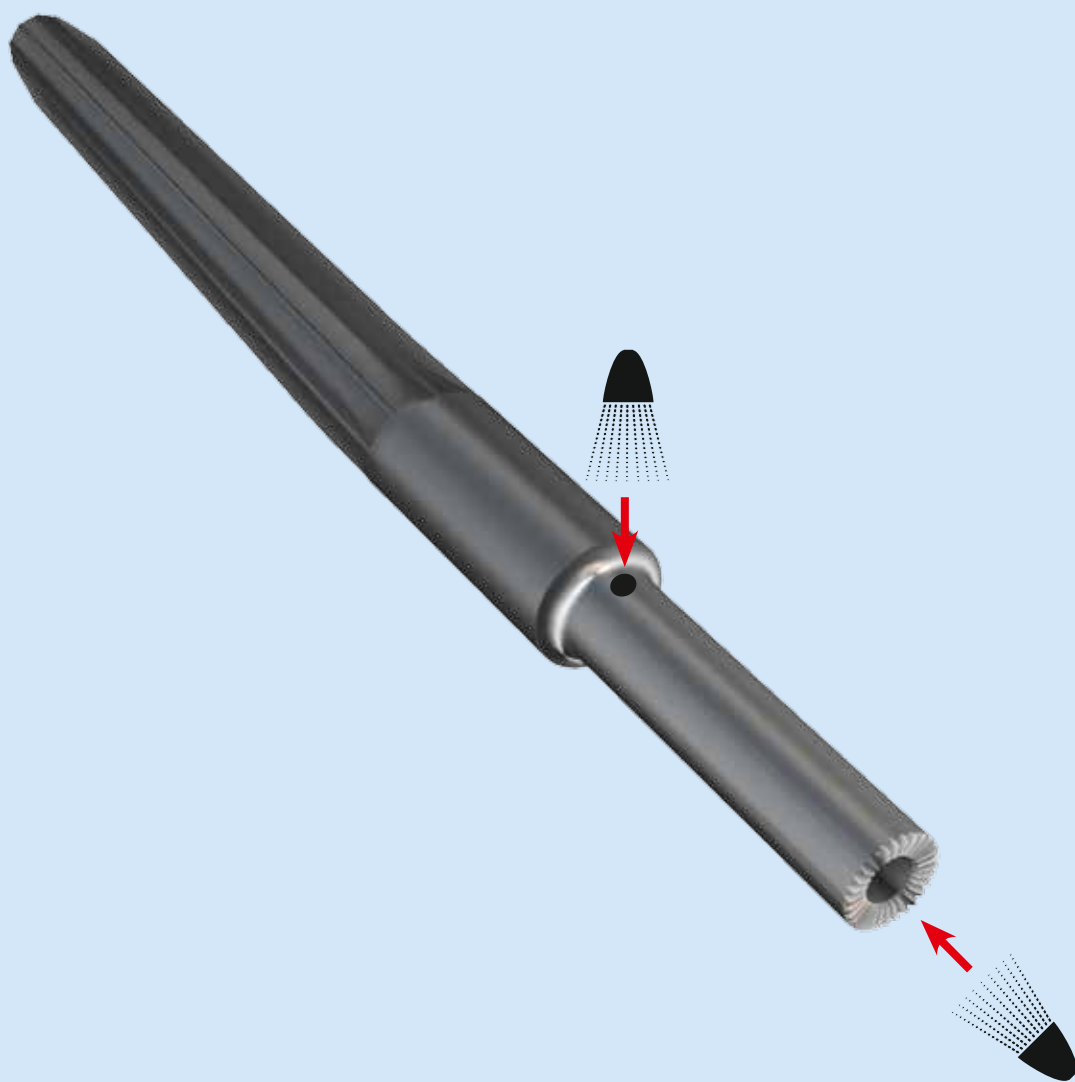


H50





134-900/12-25
99-0155/12-25
99-0142/12-25
99-0143/12-25
99-0144/12-25
99-0145/12-25



© LINK 981_Rein_134-900/12-25 2015-06_001

CE



→ H50





Waldemar Link GmbH & Co. KG

MP Nya Instrumentvård ver. 1 2017-02-17