







# Endo-Model

Rotational and Hinge Knee Prosthesis

## CE0482

Explanation of Pictograms			
	Manufacturer		Article number
	Material number		Product meets the applicable requirements, which are regulated in the EU harmonization legislation for the affixing of the CE marking.

# Endo-Model

## Rotational and Hinge Knee Prosthesis

### System Description

- 02 Rotational Knee Endo-Model
- 06 LINK PorEx Surface Modification (TiNbN = Titanium Niobium Nitride)
- 07 Hinged Knee Endo-Model

### Implants

- Total Rotational Knee Prostheses Endo-Model
  - 08 • with anti-luxation device
  - 10 • with LINK PorEx surface modification

- Total Hinge Knee Prostheses Endo-Model
  - 11 • Replacement Sets – hinged version

- 12 Patella Components,  
Centralizer,  
Spacers

### Instruments

- 14 Basic instrument Set for Rotational Knee Prostheses Endo-Model
- Complementary Instrument Sets for:
  - 18 • Rotational Knee Prostheses Endo-Model – size “x-small”
  - 19 • Rotational Knee Prostheses Endo-Model – trial prostheses
  - 20 • Total Hinge Knee Prostheses Endo-Model
- 22 Additional Instrument Set V02  
for Rotational Knee Prostheses Endo-Model (Monobloc) and Endo-Model – M (Modular)
- 23 Instrument Set for Rotational Bushing Replacement
- 24 Accessories: Additional Instruments, X-ray Templates
- 25 Additional Information
- 26 Literature

Important General Information

## Rotational Knee Joint Prosthesis Endo-Model®

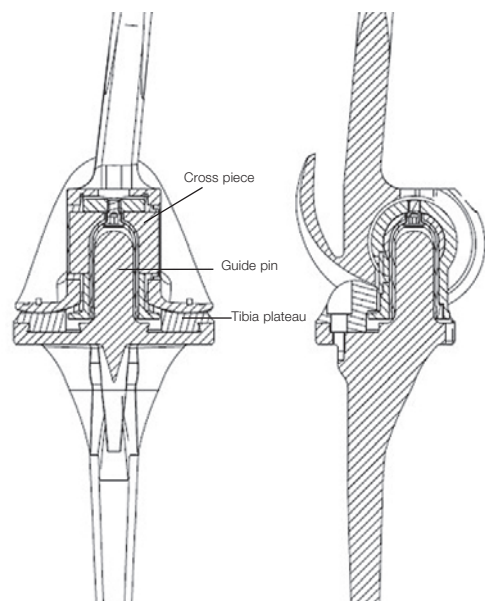
Building on the excellent results obtained with the **St. Georg Hinge Knee Prosthesis**, the rotational knee prosthesis was developed in 1979. It allows axial rotation and reduces the forces acting on the prosthesis anchorage.

The intracondylar **Endo-Model® Rotational Knee Prosthesis** is available in two versions (right and left) and four implant sizes

Material: CoCrMo Alloy, UHMW Polyethylene



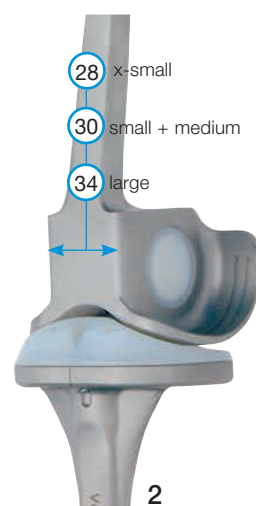
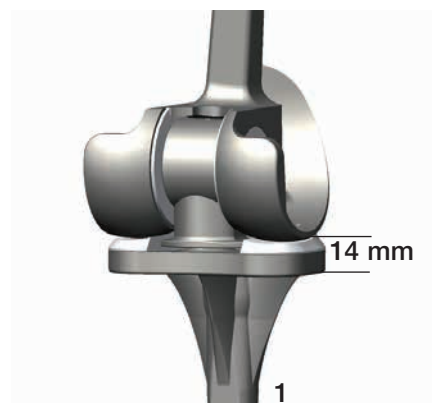
Retaining the low friction principle, the physiological movement of the rotational knee prosthesis is optimal because the pivot point is within the physiological area. Flexion and rotation of the rotational knee prosthesis take place in a cross joint.



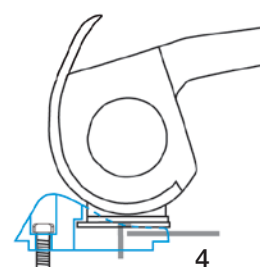
Over-extension amounts to 2°. The **Endo-Model Rotational Knee Prosthesis** allows flexion of up to 142°. In addition, the kinematics of this design provide physiological rotation, with elastic transmission of forces enabled by the special shape of the tibial running surface.

With every step, and even more in the case of a fall, torsional stresses arise and act on the implant anchorage, with a negative effect on the life-span of the prosthesis. The elastic transmission of forces allowed by the construction of the prosthesis protects the bone cement/prosthesis and bone cement/bone interfaces.

Because of the favourable dimensions of the rotational knee prosthesis, the resection required in the tibio femoral joint plane is very small – only 14 mm (1). The size of the intracondylar portion depends on the implant size but is only between 28 and 34 mm (2). This is an important positive point in terms of subsequent revision surgery.

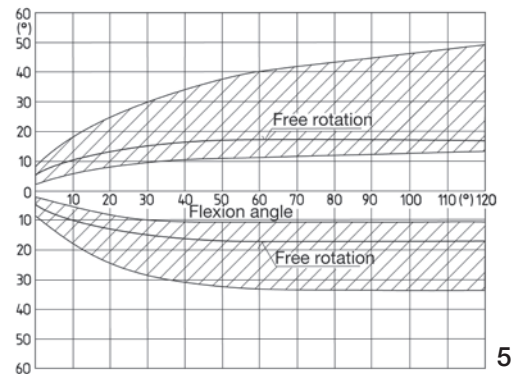


The dimensions and shape of the rotational knee prosthesis allow a good overview of the operative field. The femoral and tibial components are assembled by simply pushing the femoral tube over the tibial pin (3). The prostheses feature an anti-dislocation device (4). Implantation is simple with just a few easy-to-use instruments.



In knee replacement, advancement of the patella or of the patella bearing surface is often observed. By moving the femoral component dorsally relative to the tibial axis, physiological movement is achieved in the patello-femoral joint as well. This protects against progression of retropatellar arthrosis.

Rotation of the prosthesis ends in extension by form closure, which ensures a secure extension position. Rotation increases continuously with flexion. This rotation is limited primarily by the capsule-ligament apparatus (5).

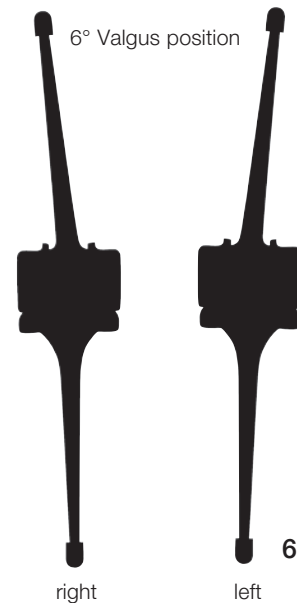


The extent of free rotation is a function of flexion, as is the region of smoothly slowed down rotation (for constructional reasons) (hatched area).

Engelbrecht E.: Die Rotationsendoprothese des Kniegelenks, Springer-Verlag 1984, ISBN: 978-3-642-69819-4 (Print) 978-3-642-69818-7 (Online)

The shape of the gliding surfaces, which are in contact with each other, provide that further rotation is damped elastically by the bodyweight's bearing-down on the joint.

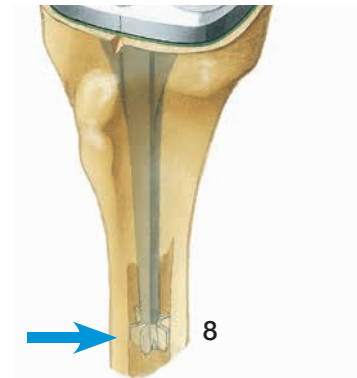
The femoral component of the rotational knee prosthesis features a physiological valgus position of 6° (6).



Both prosthesis components are broadly supported on their corresponding gliding surfaces, such that the compressive strength of the cancellous bone is not exceeded. These bilateral surfaces of the femoral component are anatomically shaped (7).



The prosthesis stems increase the security of the alignment. The cross-section is rectangular with large transition radii and no sharp corners. Star-shaped polyethylene centralizers at the end of the stems ensure that each stem is centrally positioned in the medullary canal (8), thus avoiding any direct contact between the metal stem and the inner cortex.



The Endo-Model Rotational Knee Prosthesis offers optimum security of implant anchorage. Because the stems have no surface structuring at all, there is nothing to hinder extraction of the prosthesis in case of a revision procedure (9).

When the components are being knocked out of the cement bed, the centralizer usually breaks off and can then be drilled out in a second step.

If the cross joint is worn out, e.g. in the case of a malaligned prosthesis, it can be exchanged in a revision operation without the need to remove the femoral or tibial component.



### Rotational Knee Joint Prosthesis Endo-Model with LINK PorEx Surface Modification



#### **LINK PorEx (TiNbN = Titanium Niobium Nitride) Surface Modification**

The LINK PorEx modification leads to a ceramic-like surface, which significantly reduces the release of ions from the substrate and can improve tolerance in patients who are sensitive to metal.<sup>1</sup>

This surface is extremely hard and possesses abrasion properties similar to those of ceramics. These qualities and the wetting angle of the surface give it a low friction coefficient when in contact with fluids.

<sup>1</sup> Internal technical report: Study of the influence of TiNbN-coating on the ion release of CrCrMo-alloys in SBF buffer simulator testing

#### **Comment:**

Specified indications/contraindications see catalog:

711\_Endo-Model® Rotational and Hinge Knee Prostheses, Surgical Technique



## Hinge Knee Joint Prosthesis Endo-Model

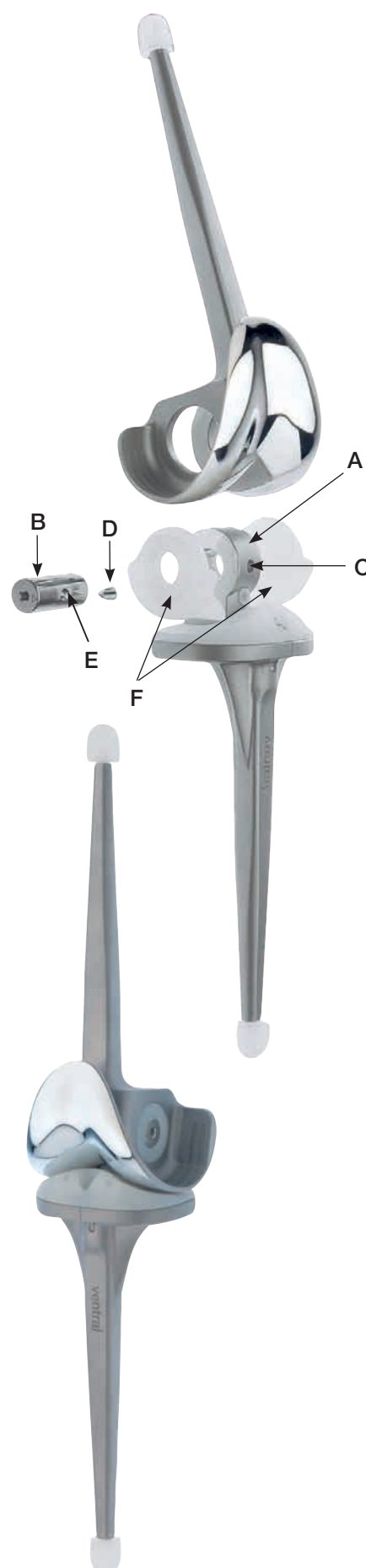
The external shape, dimensions and sizes of the **Endo-Model Hinge Knee Prosthesis** correspond to those of the Endo-Model Rotational Knee Prosthesis. As the implant beds required for the hinged and rotational versions are identical, the decision whether to use a rotational or a more stabilizing hinged knee prosthesis can be made intraoperatively.

Connecting piece **A**, which is fixed to the tibial component and links it to the femoral component of the hinge knee prosthesis, features a borehole for the joint axis **B**. The ventral borehole **C** is provided for the set screw **D**, whose tip fits into the borehole **E** on the axis. Once the upper and lower components have been joined, the axis is locked with the headless screw.

From inside the intracondylar box, polyethylene bearings for the prosthesis axis are pushed into the medial and lateral boreholes. The upper and lower prosthesis components are joined by introducing the tibial connecting piece into the intracondylar box of the femoral component, such that the prosthesis axis can be inserted (always from the medial aspect) using the threaded rod. Articulation takes place between the prosthesis axis and the two bearings.

The **Endo-Model Hinge Knee Prosthesis** is delivered readily assembled and in a sterile condition. To disassemble it, turn the set screw **D** anticlockwise. Screw the threaded rod onto the prosthesis axis **B**, which is then pulled out. Push the bearings **F** of the upper prosthesis component into the intracondylar box and remove them. (**Note:** The open bearing must be placed medially when the bearings are reinserted).

The package contains two sterile trial bearings (not autoclavable). These are inserted into the upper prosthesis component during surgery; after the trial run, they are exchanged for the definitive bearings. These, too, can be exchanged if necessary in a second intervention.



### Rotational Knee Joint Prosthesis Endo-Model

REF	with patella flange MAT EndoDur (CoCrMo)	(R) Radius*
15-8020/11	x-small/right	17 mm
15-8020/12	x-small/left	17 mm
15-8022/11	small/right	20 mm
15-8022/12	small/left	20 mm
15-8024/11	medium/right	23 mm
15-8024/12	medium/left	23 mm
15-8030/11	large/right	25 mm
15-8030/12	large/left	25 mm

\* (R) Radius in the sagittal plane: Measured from the center of axis.



#### Replacement Sets for Rotational Knee Prostheses

MAT CoCrMo

REF	Side	Size
15-0027/10	right/left	x-small
15-0027/11	right/left	small
15-0027/12	right/left	medium
15-0027/13	right/left	large

Each package contains:

- complete coupling mechanism,
- Bearing boxes,
- PE plateau and PE plateau anchoring screw.

Further replacement sets available on request.

Required: Instrument Set for rotational bushing replacement, incl. additional Instrument Set V02, see page 22.

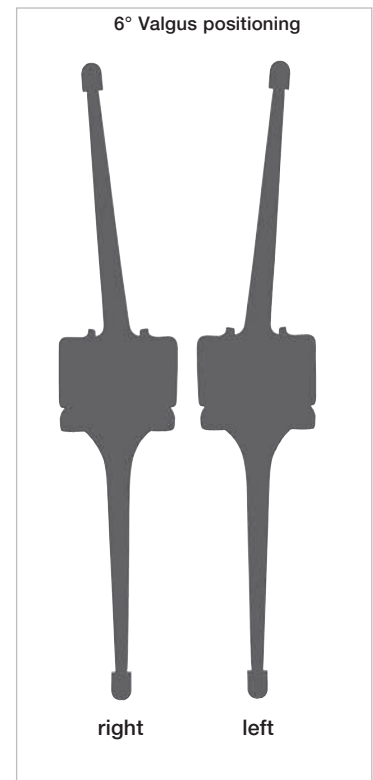
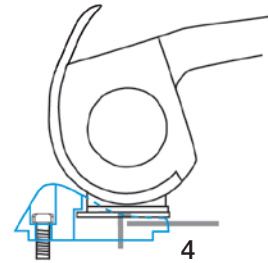
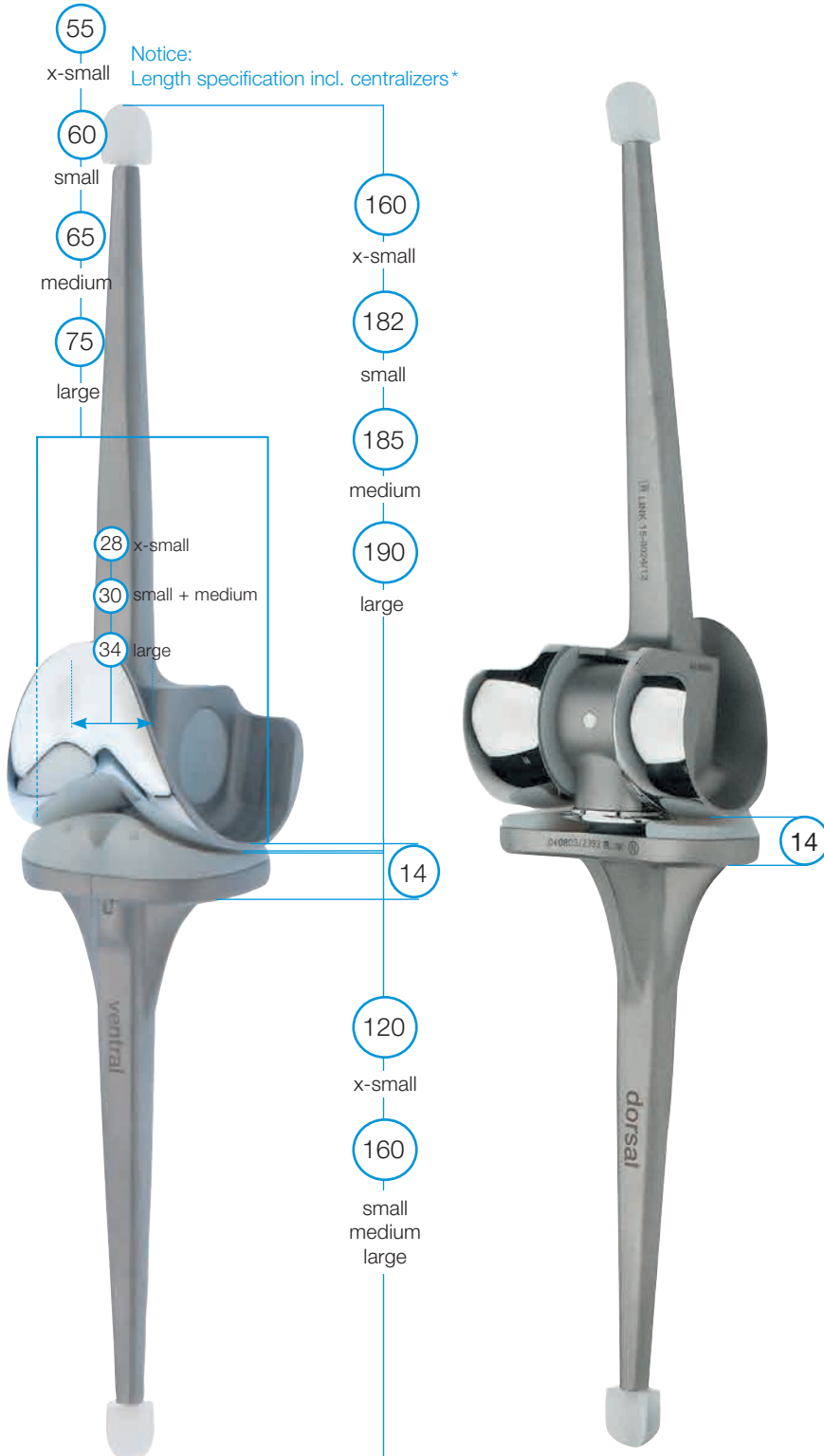
#### Replacement Sets for Rotational Tibial Plateaus, with security screw

MAT UHMWPE/CoCrMo

REF	Size
15-0027/17	x-small
15-0027/14	small
15-0027/15	medium
15-0027/16	large

Each package contains:

PE plateau and PE plateau anchoring screw.



\* Centralizers are not included in prosthesis packing

**Rotational Knee Joint Prosthesis Endo-Model with LINK PorEx surface modification\***

REF	with patella flange MAT EndoDur (CoCrMo)/LINK PorEx *	(R) Radius**
15-9020/11	x-small/right	17 mm
15-9020/12	x-small/left	17 mm
15-9022/11	small/right	20 mm
15-9022/12	small/left	20 mm
15-9024/11	medium/right	23 mm
15-9024/12	medium/left	23 mm
15-9030/11	large/right	25 mm
15-9030/12	large/left	25 mm

\*\* (R) Radius in the sagittal plane: Measured from the center of axis.



Same dimensions as models with anti-luxation device, see page 09.

Required: Additional Instrument Set V02, see page 22.

**Replacement Sets**

for Rotational Tibia Plateaus LINK PorEx\*, with security screw

REF	MAT CoCrMo/LINK PorEx *, UHMWPE
15-0037/17	x-small
15-0037/14	small
15-0037/15	medium
15-0037/16	large

Each package contains:

- PE plateau and PE plateau anchoring screw

**Replacement Sets**

for Rotational Knee Prostheses LINK PorEx\*

REF	MAT EndoDur –S (CoCrMo)/ LINK PorEx *, UHMWPE
15-3027/10	x-small
15-3027/11	small
15-3027/12	medium
15-3027/13	large

Each package contains:

- Complete coupling mechanism,
- Bearing boxes,
- PE plateau and PE plateau anchoring screw.

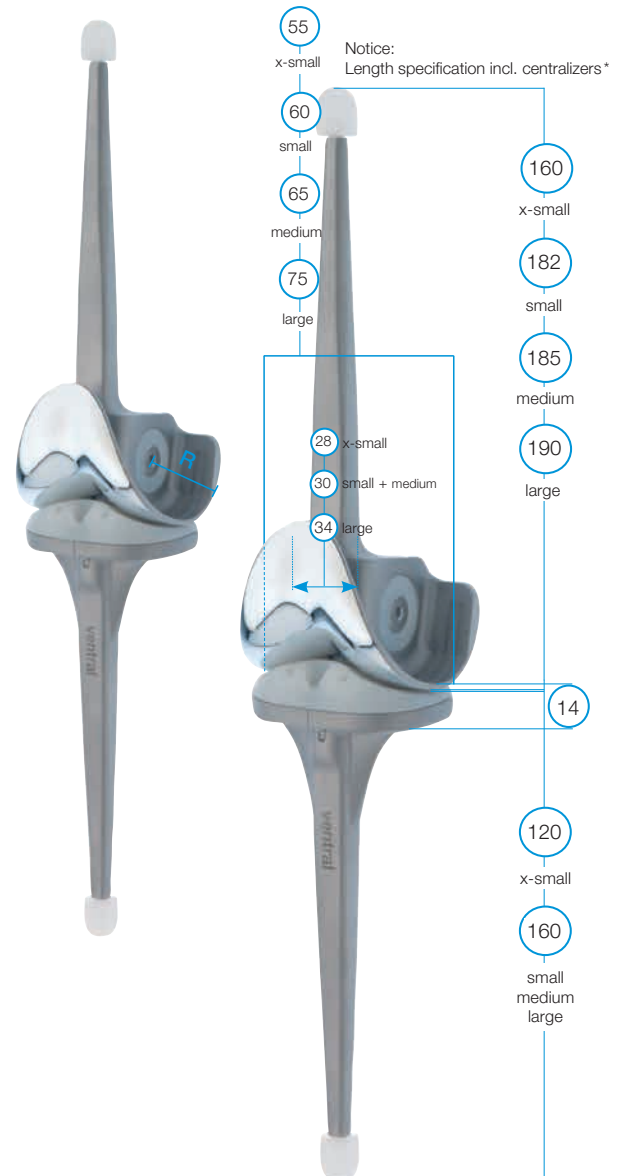
Required: Additional Instrument Set V02, see page 22.

\* LINK PorEx: TiNbN = Titanium-Niobium-Nitride; surface modification (gold colour).

**Total Hinge Knee Joint Prosthesis Endo-Model, with hinge axis**

REF	with patella flange MAT EndoDur (CoCrMo)	(R) Radius*
15-2459/11	x-small / right	17 mm
15-2459/12	x-small / left	17 mm
15-2460/11	small / right	20 mm
15-2460/12	small / left	20 mm
15-2461/11	medium / right	23 mm
15-2461/12	medium / left	23 mm
15-2462/11	large / right	25 mm
15-2462/12	large / left	25 mm

\* (R) Radius in the sagittal plane: Measured from the center of axis.



**Replacement Sets for Hinge Knee Prostheses,**  
with security screw, MAT UHMWPE/CoCrMo

REF	Side	Size
15-0027/20	right	x-small
15-0027/21	right	small
15-0027/22	right	medium
15-0027/23	right	large
15-0027/30	left	x-small
15-0027/31	left	small
15-0027/32	left	medium
15-0027/33	left	large

Each package contains:

- complete coupling mechanism,
- bearing boxes,
- PE plateau and PE plateau anchoring screw.

Required: Additional Instrument Set V02, see page 22.

**Replacement Sets for Hinge Knee  
Tibial Plateaus,** with security screw  
MAT UHMWPE/CoCrMo

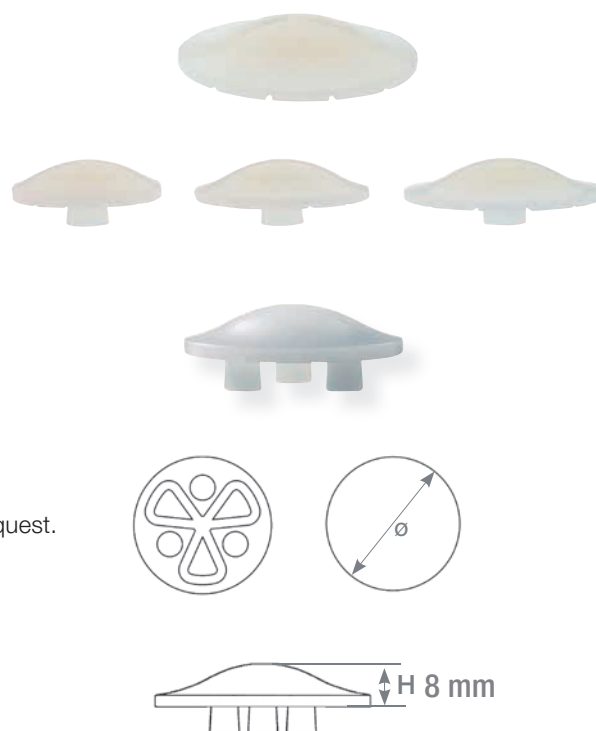
REF	Size
15-0027/27	x-small
15-0027/41	small
15-0027/42	medium
15-0027/43	large

Each package contains:

- PE plateau and PE plateau anchoring screw.

Patella Components

REF	MAT UHMWPE	
<b>centric</b>	Size	Ø
15-2521/30	small	30 mm
15-2521/35	medium	35 mm
15-2521/40	large	40 mm
<b>3-pegs</b>	Size	Ø
15-2522/30	small	30 mm
15-2522/35	medium	35 mm
15-2522/40	large </td <td>40 mm</td>	40 mm



Information on instruments and surgical technique available on request.

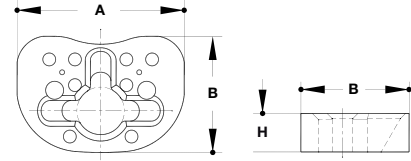
Centralizers\*

REF	MAT UHMWPE
15-2975/01	<b>Set consisting of:</b>
15-2975/12	small
15-2975/14	medium
15-2975/16	large



\* not included in prosthesis packing.

Proximal Tibial Spacers\*



REF	MAT UHMWPE	H	A	B
15-2516/70	<b>Set consisting of:</b>			
15-2516/55	x-small	5 mm	55 mm	42 mm
15-2516/60	x-small	10 mm	55 mm	42 mm
15-2516/65	x-small	15 mm	55 mm	42 mm
15-2516/29	<b>Set consisting of:</b>			
15-2516/05	small	5 mm	60 mm	45 mm
15-2516/10	small	10 mm	60 mm	45 mm
15-2516/15	small	15 mm	60 mm	45 mm
15-2517/29	<b>Set consisting of:</b>			
15-2517/05	medium	5 mm	65 mm	45 mm
15-2517/10	medium	10 mm	65 mm	45 mm
15-2517/15	medium	15 mm	65 mm	45 mm
15-2519/29	<b>Set consisting of:</b>			
15-2519/05	large	5 mm	75 mm	48 mm
15-2519/10	large	10 mm	75 mm	48 mm
15-2519/15	large	15 mm	75 mm	48 mm

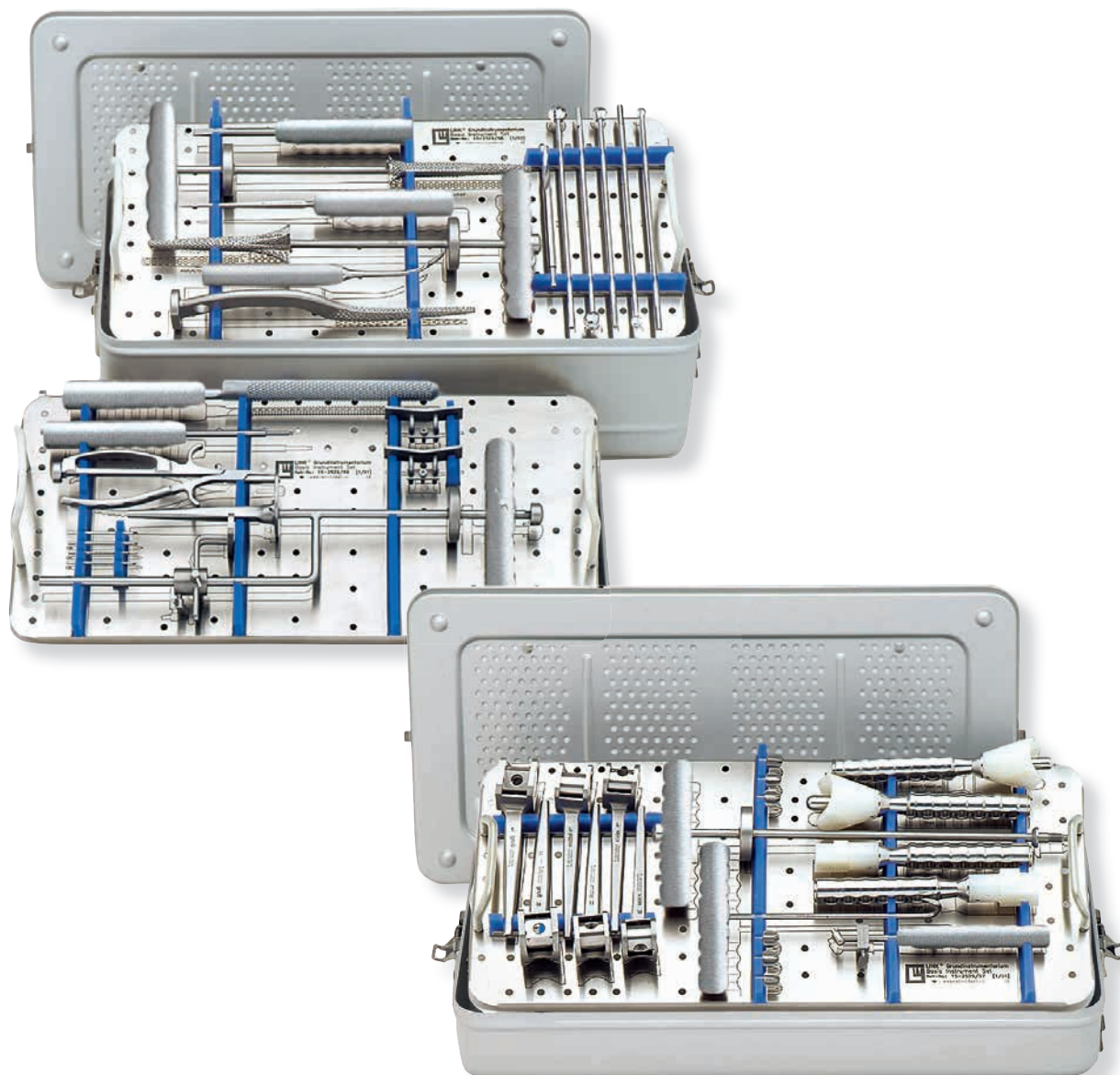
Distal Femoral Spacers

recommended for long stem knee prosthesis version - on request.



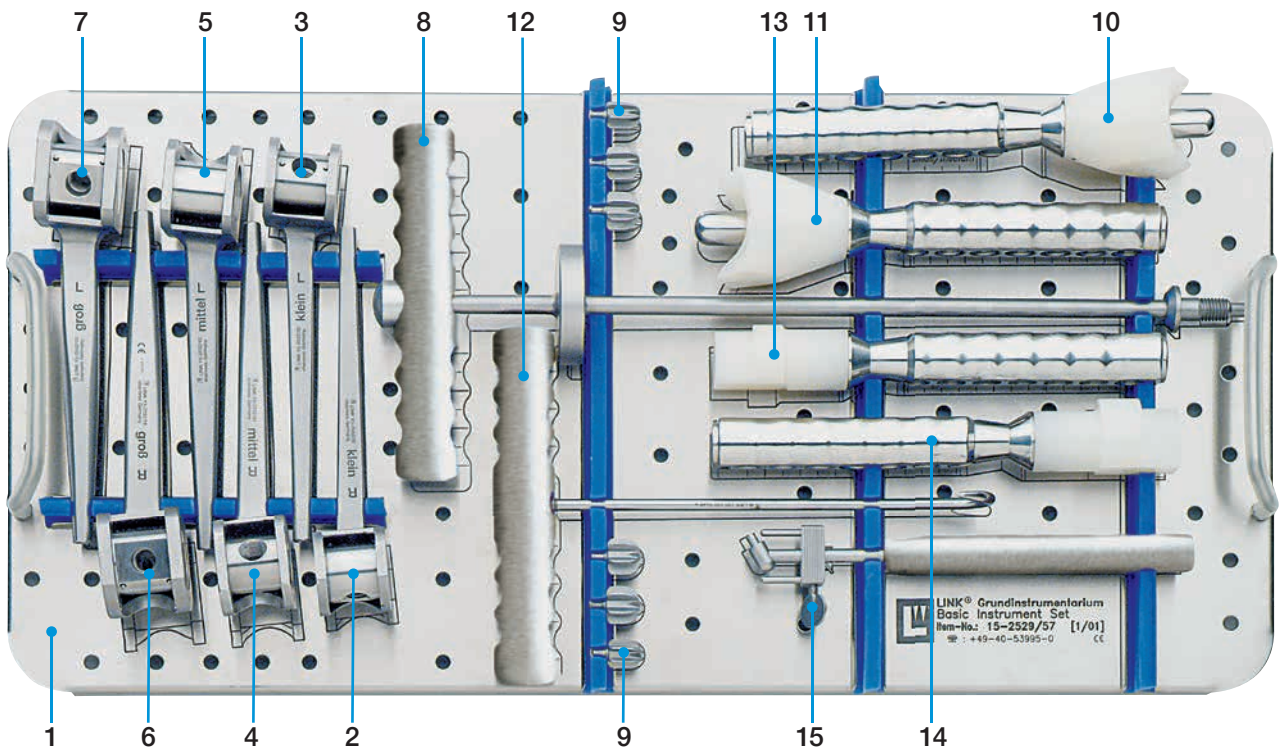
**\* Important Information:**  
 Proximal tibial spacers  
 – straight – must not be  
 combined with each other!

**Basic Instrument Set  
for Rotational Knee Prostheses Endo-Model**

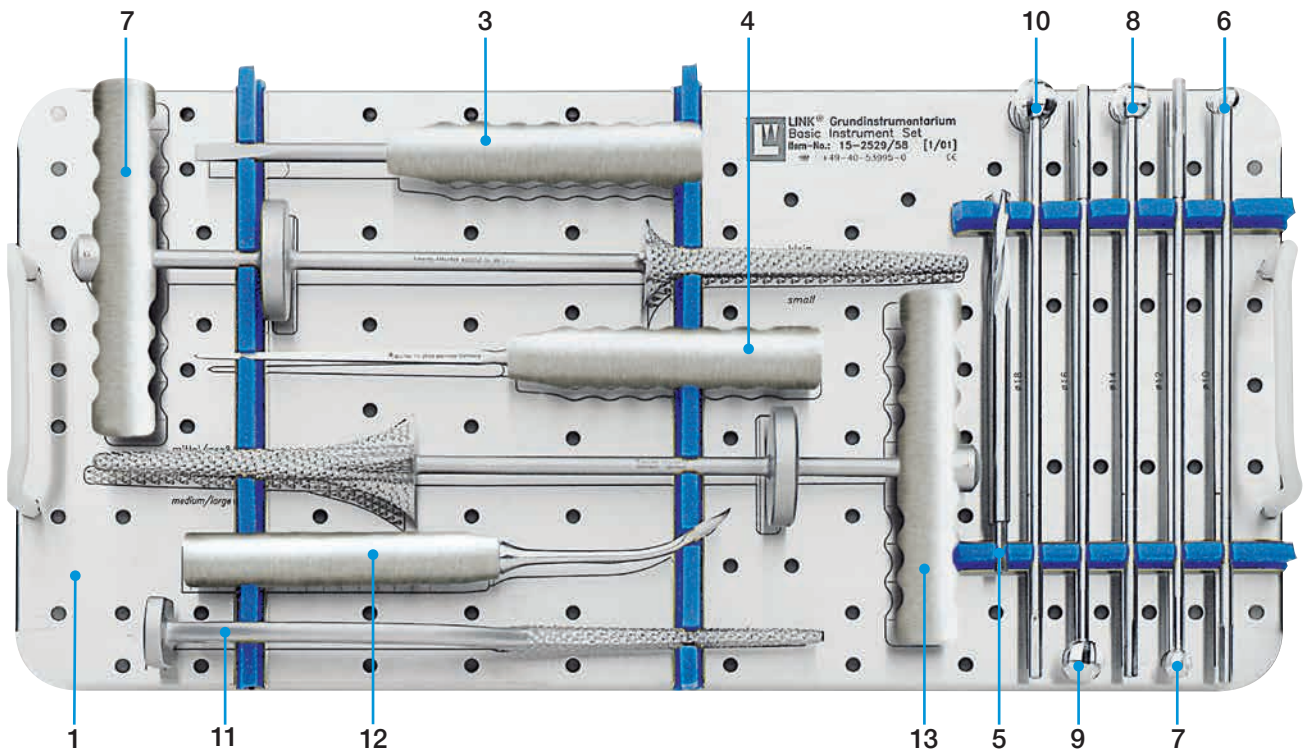


<b>REF</b>	<b>Basic Instrument Set, complete</b>
15-2529/50	Set in 2 standard containers, on 3 trays with product illustrations and storage racks.
05-2003/03	N31 Standard Container, empty, 575 x 275 x 170 mm
05-2001/03	N11 Standard Container, empty, 575 x 275 x 100 mm



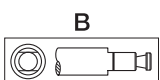


1	15-2529/57	<b>Lower Instrument Tray</b> with product illustrations, empty, 550 x 265 x 50 mm
		<b>Femoral Saw Guides</b> with swivel axes
2	15-2532/31	right small
3	15-2532/32	left small
4	15-2532/41	right medium
5	15-2532/42	left medium
6	15-2532/51	right large
7	15-2532/52	left large
8	15-2534/15	<b>Threaded Rod</b> with handle, for saw guides and trial prostheses
9	15-2535/01	<b>Metal Trial Centralizer</b> , set of 3 pieces (2 sets included)
		<b>Impactor</b> for femoral components:
10	15-2537	small / medium
11	15-2537/02	large
12	130-120	<b>Bone Hook</b> , 210 mm
		<b>Impactor</b> for tibial components:
13	15-2538	small / medium
14	15-2538/02	large
15	15-8035	<b>Introducer</b> for tibial plateaus with anti-luxation device

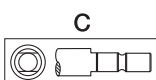


1	15-2529/58	Upper Instrument Tray with product illustrations, empty, 550 x 265 x 50 mm
2	15-2533/04	Tibia Reamer, small
3	322-145	Screwdriver, 210 mm
4	15-2600	Bone Awl, 260 mm
5	335-182E	Twist Drill, 160 mm, Ø 8 mm, * fittings optional
		Ball reamers 250 mm, * fittings optional
6	15-1133/02E	Ø 10 mm
7	15-1133/03E	Ø 12 mm
8	15-1133/04E	Ø 14 mm
9	15-1133/05E	Ø 16 mm
10	15-1133/06E	Ø 18 mm
11	15-2542	Femur Rasp
12	15-1037	Raspatory
13	15-2533/05	Tibia Reamer medium and large

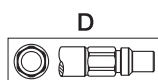
\* Fittings:



Hudson



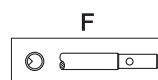
Harris



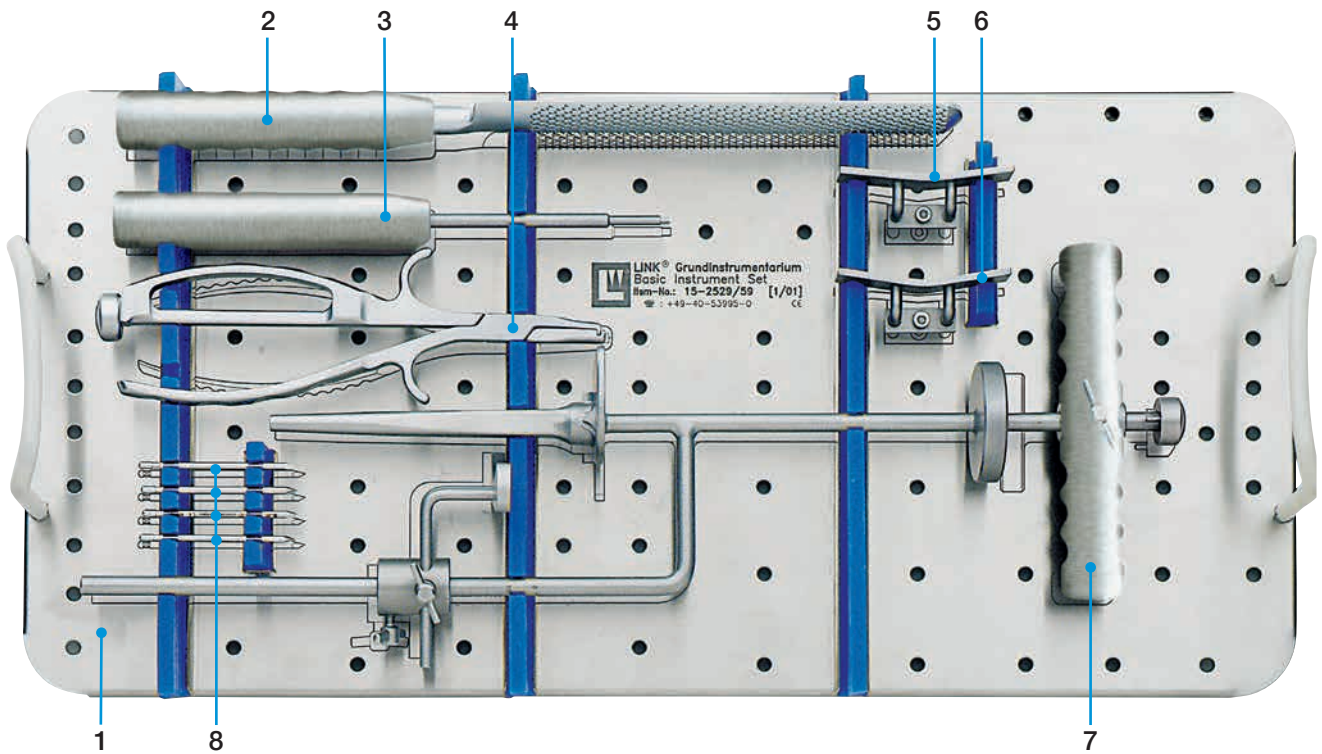
A-O



Jacobs Chuck

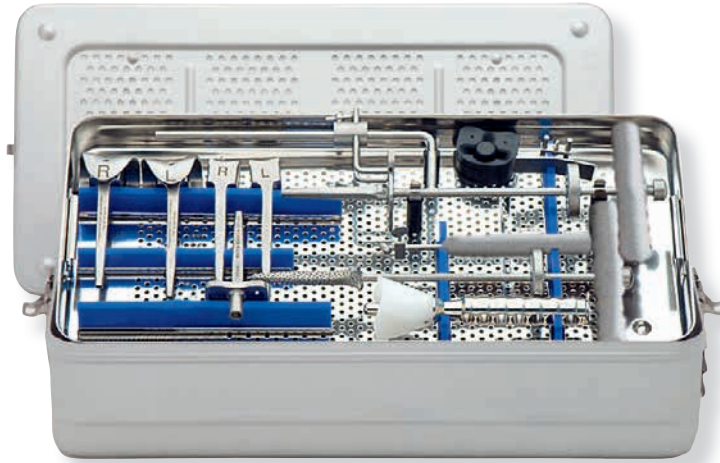


Trinkle



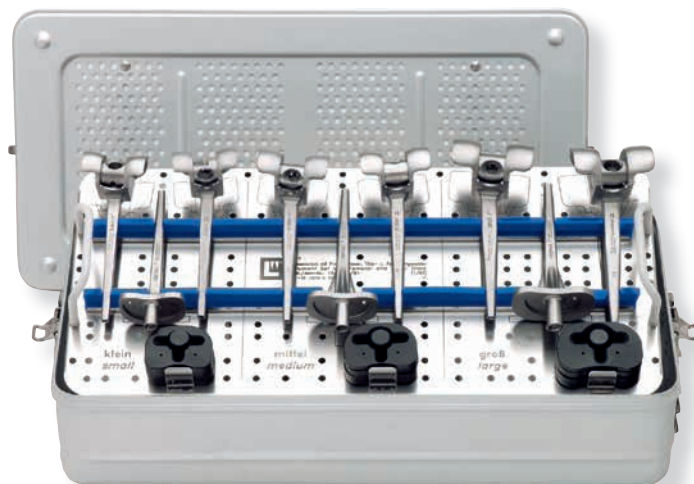
1	15-2529/59	Instrument Tray with product illustrations, empty, 550 x 265 x 50 mm
2	15-2622	Rasp, 350 mm
3	175-600	Hex Screwdriver, 230 mm, hex 3 mm
4	317-586	Driver and Extraction Forceps, for fixation pins, 210 mm
		Patella Glide Resection Guides, for femoral components:
5	15-2530/01	small / medium
6	15-2530/05	large
7	15-2536/10	Tibial Saw Guide, with alignment rod
8	317-585/65	Fixation Pins, Ø 3 mm, 65 mm (4 each included)

**Complementary Instrument Set  
for Rotational Knee Prostheses Endo-Model – Size „x-small“**



REF	for implants size: x-small
15-2529/65	Set, complete, in 1 standard container, on 1 tray with storage racks
05-2001/03	<b>N11 Standard Container</b> , only, 575 x 275 x 100 mm
15-2529/66	<b>Tray</b> , empty, stainless steel, 550 x 265 x 50 mm
15-8035/01	<b>Introducer</b> for tibial plateau x-small, with anti-luxation device
15-2536/09	<b>Tibial Saw Guide</b> with alignment rod, x-small
15-2534/94	<b>Tibial Trial Prosthesis</b> , x-small
15-2515/00	<b>Tibial Trial Spacers</b> , x-small, set of 3 ea.
	<b>Femoral Saw Guides</b> with swivel axes,
15-2532/29	right, x-small
15-2532/30	left, x-small
15-2530/00	<b>Patella Glide Resection Guide</b> for femoral components x-small
15-2537/03	<b>Impactor</b> for femoral components x-small
15-2533/03	<b>Tibia Reamer</b> with handle, x-small
	<b>Femoral Trials</b> <u>with patella flange</u> :
15-2534/03	right, x-small
15-2534/04	left, x-small

**Complementary Instrument Set  
for Rotational Knee Prosthesis Endo-Model – Trial Prostheses**



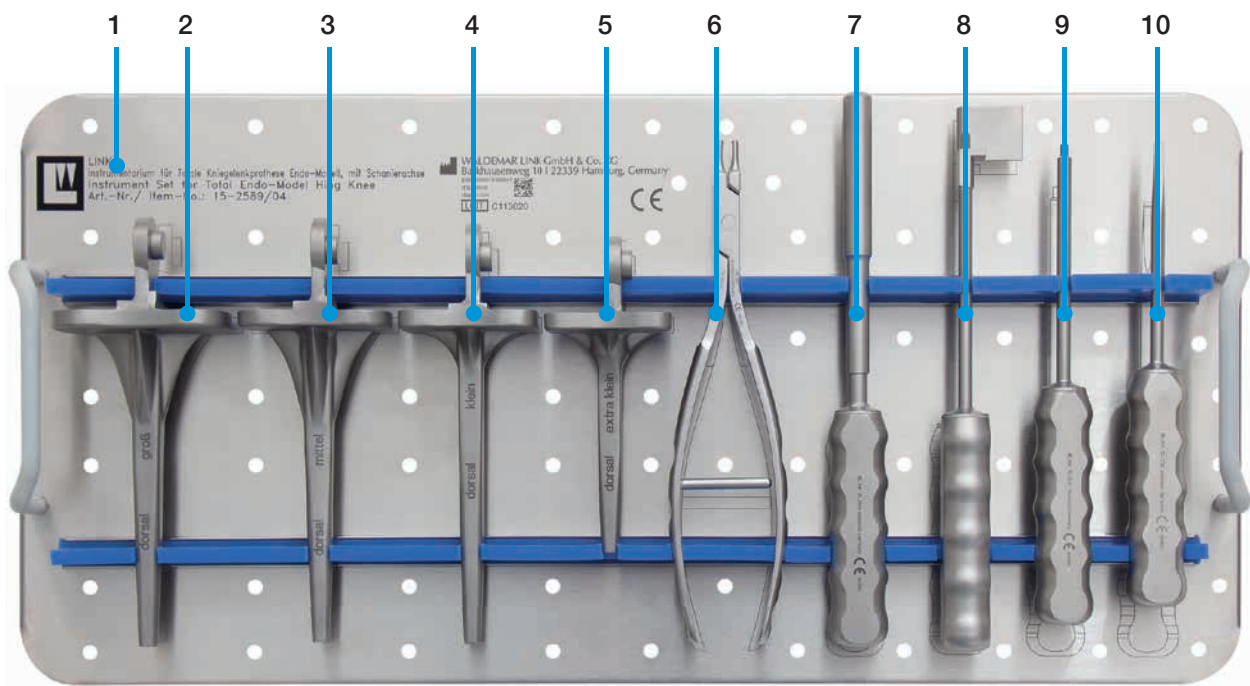
REF	with Trial Prostheses
15-2529/85	Set <u>with patella flange</u> , complete, in 1 standard container on 1 tray with storage racks
05-2002/03	<b>N21 Standard Container</b> , only, 575 x 275 x 130 mm
15-2529/81	<b>Tray</b> , empty, stainless steel, 550 x 265 x 50 mm
	<b>Femoral Trials* with patella flange</b>
15-2534/07	right, small
15-2534/08	left, small
15-2534/19	right, medium
15-2534/20	left, medium
15-2534/25	right, large
15-2534/26	left, large
	<b>Tibial Trials*</b>
15-2534/95	small
15-2534/96	medium
15-2534/97	large
	<b>Tibial Trial Spacers</b> , set of 3 ea.
15-2515/01	small
15-2515/02	medium
15-2515/03	large

\* Instruments for implant size “x-small” see page 20.

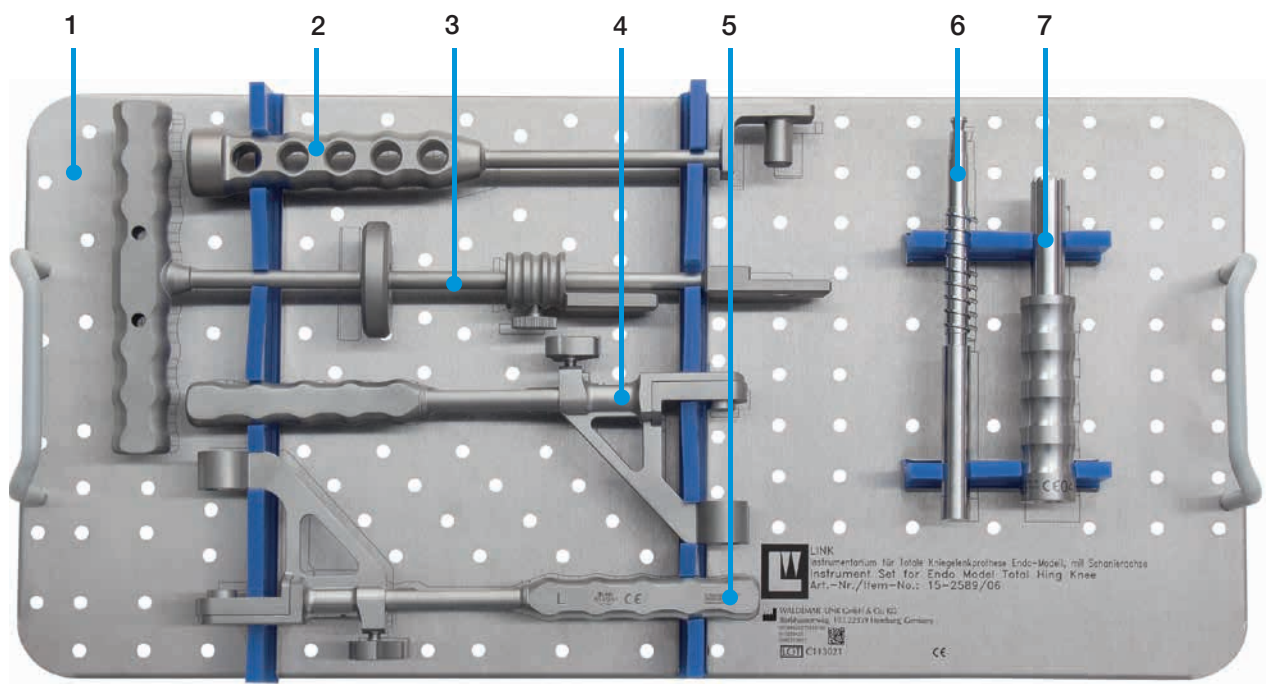
### Complementary Instrument Set for Total Hinge Knee Prostheses Endo-Model

For the implantation of an Endo-Model Total Hinge Knee the basic instrument set for the Endo-Model Rotational Knee System (Item. no. 15-2529/50) is required.

<b>REF</b>	<b>Basic Instrument Set, complete</b>
15-2589/11	Set, complete, in 1 standard container, on 2 trays with storage racks
05-2002/03	N21 Standard Container, only, 575 x 275 x 130 mm

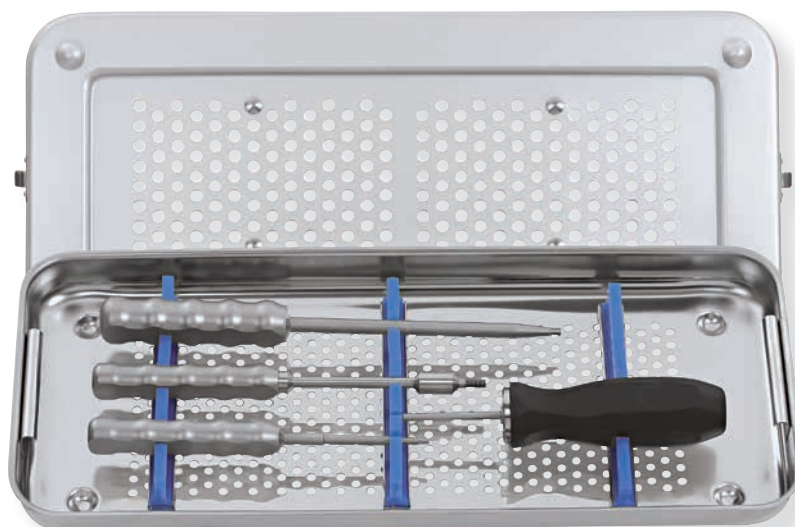


1	15-2589/04	Lower Tray, empty, 550 x 265 x 50 mm
		<b>Tibial Trials</b>
2	15-2587/31	large
3	15-2587/32	medium
4	15-2587/33	small
5	15-2587/34	x-small
6	15-2042	Inserting Forceps, 215 mm
7	15-2596	Trial Axle, 250 mm
8	15-2587/40	Coupling Jig for femoral component and tibial trials, all sizes, 250 mm
9	15-2540	Threaded Rod, 210 mm
10	15-2550	Screwdriver, 210 mm



1	15-2589/06	Upper Tray, empty, 550 x 265 x 50 mm
2	15-2586	Inserter, 270 mm
3	15-2588/01	Inserter for tibial trials, all sizes
4	151-013/00	Drill Guide, sizes XS - M
5	151-013/01	Drill Guide, size L
6	15-0036/52	Inside Pusher for Tubular Reamer
7	15-2582/15	Tubular Reamer, Ø 15 mm

**Additional Instrument Set V02  
for Rotational Knee Prostheses Endo-Model (Monobloc) and  
Endo-Model – M (Modular)**



REF	for Rotational Knee Prostheses Endo-Model and Endo-Model – M (with V02 coupling mechanism)
15-2529/90	<b>Set</b> , complete, in 1 small container K1, on 1 tray with storage racks
05-1000/01	<b>Small Container K1</b> , only, 460 x 190 x 92 mm
15-2529/91	<b>Tray</b> , empty, 405 x 165 x 50 mm
64-8008/02	<b>Hex Screwdriver</b> with metal handle, wrench size 3.5 mm, 250 mm
15-2544	<b>Separate Rod</b> for removal of the rotating bushing version V02, Ø M5, 210 mm
10-5373/01	<b>Hex Screwdriver</b> with metal handle, wrench size 2.5 mm, 180 mm
15-2545	<b>Torque Wrench</b> , wrench size 2.5 mm, 205 mm



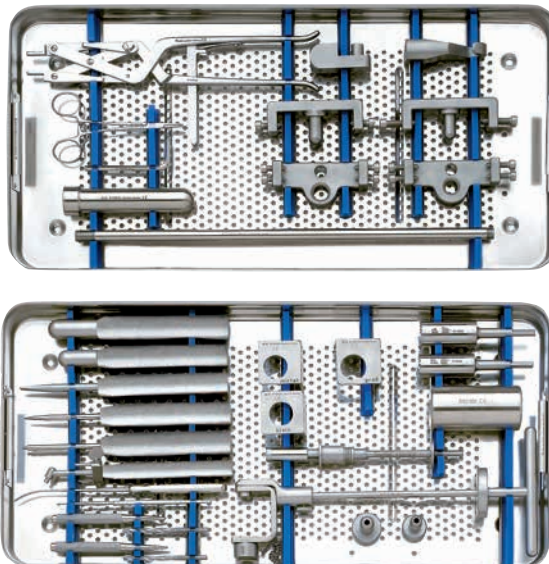
## Special Instrument Set for Rotational Bushing Replacement

### T-axis (cross) without removal of implants

In case of a damaged joint mechanism of an implanted prosthesis or in case of joint instability provided that the implant components are well fixed, the Total Knee System offers the following solutions:

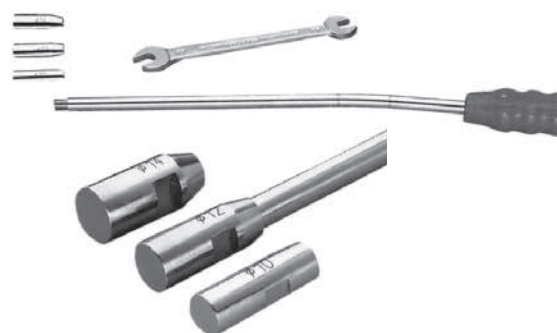
- exchange of the bushing of a Rotational Knee Prosthesis
- complete exchange of the T-axis (cross joint), if a Rotational Knee with an anti-luxation device or a Hinge Knee is indicated. In the latter case, the tibial components must be replaced, however.
- exchange of the axis or the polyethylene bearings in a Hinge Knee Prosthesis.

**More information about exchange of bushing and the special instrument set available on request.**



**Packer**, slightly curved, with exchangeable tips  $\varnothing$  10, 12, 14 mm and key

REF	
15-2543/01	<b>Set</b> consisting of:
15-2543/02	<b>Handle</b> , 370 mm
15-2543/03	Tip $\varnothing$ 10 mm
15-2543/04	Tip $\varnothing$ 12 mm
15-2543/05	Tip $\varnothing$ 14 mm
15-2543/06	Key 8/9 mm



**Intramedullary Plugs**, UHMWPE

REF	$\varnothing$
109-130/08	8 mm
109-130/09	9 mm
109-130/10	10 mm
109-130/11	11 mm
109-130/12	12 mm
109-130/13	13 mm
109-130/14	14 mm
109-130/15	15 mm
109-130/16	16 mm
109-130/17	17 mm
109-130/18	18 mm
109-130/19	19 mm
109-130/20	20 mm

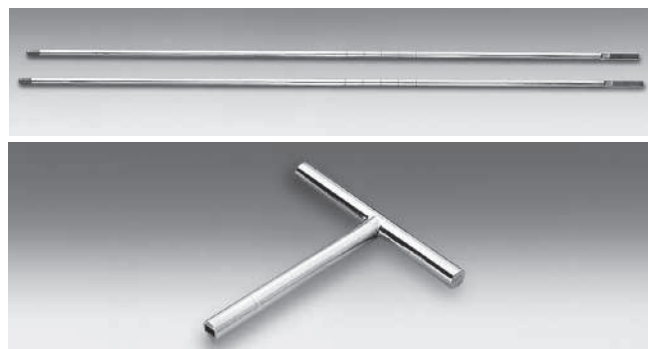


131-250/26

**Inserter** for intramedullary plugs, graduated, 355 mm (2 pieces)

131-250/23

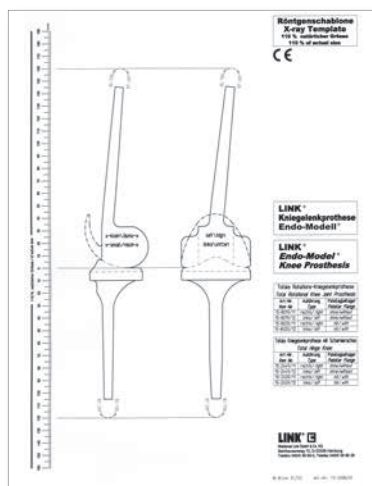
**T-handle** for inserter, 70 mm

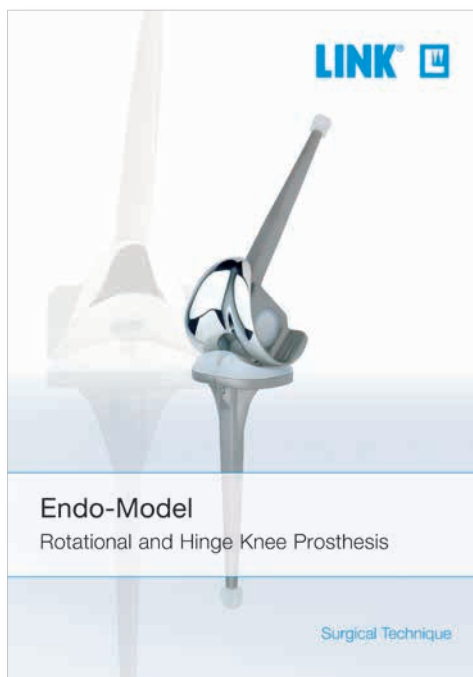


15-2599/01

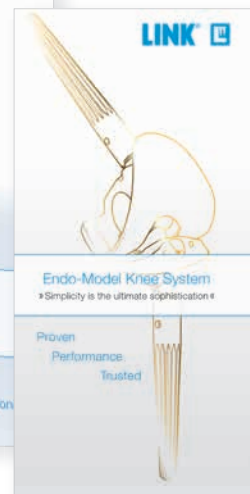
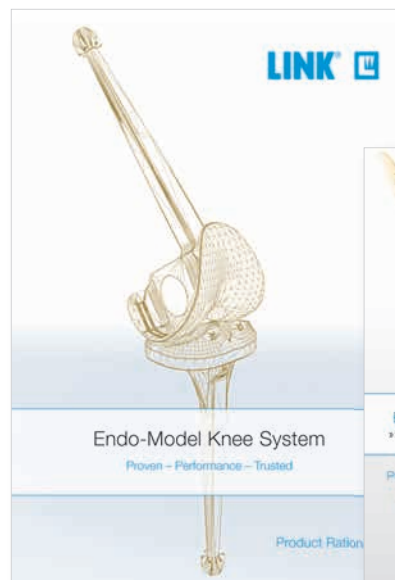
**X-ray Templates for Endo-Model® Total Knee Prosthesis (rotational and hinge version)**

110% actual size,  
1 set of: x-small, small, medium, large





**Endo-Model**  
Rotational and Hinge Knee Prosthesis,  
Surgical Technique



**Endo-Model Knee System**  
Product Rationale &  
Teaserflyer



**Endo-Model Knee System**  
Literature Research



**LINK PorEx**  
**TiNbn-Coatings**  
for custom-made  
orthopedic implants,  
Materials and Coatings



For more information please register for our LINK Media Library ([link-ortho.com](http://link-ortho.com))

- E. Engelbrecht, A. Siegel, J. Röttger, and Prof. H. W. Buchholz\*  
**Statistics of Total Knee Replacement: Partial and Total Knee Replacement, Design St. Georg**  
*Journal of Clinical Orthopaedics, 1976, No. 120, pp 54-64 (K3)*
- E. Engelbrecht, E. Nieder, E. Strickle, A. Keller  
**Intrakondyläre Kniegelenkendoprothese mit Rotationsmöglichkeit – ENDO-MODELL®**  
*CHIRURG 52: 368-375 (1981) (K1)*
- R. Dederich und L. Wolf  
**Kniegelenkprothesen-Nachuntersuchungsergebnisse**  
*Unfallheilkunde (1982) 85:359-368 (K2)*
- J. Röttger, K. Heinert  
**Die Knieendoprothesensysteme (Schlitten- und Scharnierprinzip). Beobachtungen und Ergebnisse nach 10 Jahren Erfahrung mit über 3700 Operationen.**  
*Z. Orthop. 122(1984) 818-826 (K17)*
- E. Nieder, E. Engelbrecht, A. Keller  
**Totale intrakondyläre Scharniergelenkendoprothese mit Rotationsmöglichkeit – Endo-Modell®**  
*Sonderdruck aus Heft 5: Orthopädische Praxis, 1987, 23. Jahrgang, Seite 402-412 (K34)*
- K. Heinert, E. Engelbrecht  
**Total Knee Replacement - Experience with a Surface and Total Knee Replacement: Further Development of the Model St. Georg®. 2400 Sledges and Hinges**  
*Proceedings of the International Symposium on Total Knee Replacement, May 19-20, 1987, Nagoya, Japan Springer Verlag.; Berlin Heidelberg, New York Tokyo (1987), pp 257-273 (K53)*
- E. Engelbrecht, M.D.  
**The Tibial Rotating Knee Prosthesis "Endo" Model: Surg. Technique**  
*The Journal of Orthopaedic Surgical Techniques, Volume 3, Number 2, 1987 (K36)*
- K. Heinert, E. Engelbrecht  
**Langzeitvergleich der Knie-Endoprothesensysteme St. Georg® 10-Jahres-Überlebensraten von 2236 Schlitten- und Scharnier-Endoprothesen**  
*Der Chirurg (1988) 59:755-762 (K38)*
- F. Madsen, P. Kjarsgaard-Andersen, M. Juhl, O. Sneppen  
**A Custom-Made Prosthesis for the Treatment of Supracondylar Femoral Fractures after Total Knee Arthroplasty: Report of Four Cases**  
*Journal of Orthopaedic Trauma, Vol. 3, No. 4, pp. 333-337, 1989 (K42)*
- E. Nieder  
**Schlittenprothese, Rotationsknie und Scharnierprothese Modell St. Georg® und Endo-Modell®. Differentialtherapie in der primären Kniegelenkalloarthroplastik**  
*Orthopäde (1991) 20:170-180 (K45)*
- G. von Förster, D. Klüber und U. Käbler  
**Mittel- bis langfristige Ergebnisse nach Behandlung von 118 periprotetischen Infektionen nach Kniegelenkersatz durch einzeitige Austauschoperationen**  
*Orthopäde(1991) 20: 244-252 (K46)*
- Adolph V. Lombardi, Jr, Thomas H. Mallory, Robert W. Eberle, and Joanne B. Adams  
**Results of Revision Total Knee Arthroplasty Using Constrained Prostheses**  
*Seminars in Arthroplasty, Vol 7, No. 4 (October), 1996: pp 349-355*
- E. Engelbrecht, E. Nieder, D. Klüber  
**Reconstruction of the Knee - Ten to Twenty Years of Knee Arthroplasty at the Endo-Klinik: A Report on the Long-term Follow-up of the St. Georg® Hinge and the Medium-term Follow-up of the Rotating Knee Endo-Modell®**  
*Springer Verlag: Tokyo, Berlin, Heidelberg, New York (1997) (K57)*
- E. Nieder  
**Revisionsalloarthroplastik des Kniegelenks**  
*Sonderausgabe aus: Orthopädische Operationslehre, Band II/1: Becken und untere Extremität  
Herausgegeben von R. Bauer, F. Kerschbaumer und S. Poisel*
- F. Alt, U. Sonnekalb, N. Walker  
**Unikondyläre Schlittenprothese versus scharniergeführte Totalendoprothesen des Kniegelenkes**  
*Orthopädische Praxis 1/98, 34. Jahrgang, Seite 20-24, 1998 (K61)*
- A. V. Lombardi, T. H. Mallory, R. E. Eberle, J. B. Adams  
**Rotating Hinge Prosthesis in Revision Total Knee Arthroplasty: Indications and Results**  
*A Reprint from Surgical Technology International VI, 1998 (K55)*
- E. Nieder, G.W. Baars, A. Keller  
**Totaler Tibia-Ersatz Endo-Modell®**  
*Orthopädie Aktuell: Nr. 5/1998, LINK News (K60)*
- S. Schill, H. Thabe  
**Die periprotetische Knieinfektion – Therapiekonzept, Wertigkeit und mittelfristige Ergebnisse**  
*Aktuelle Rheumatologie, Heft 5, 24. Jahrgang, 1999, pp 153-160 (K70)*
- G.W. Baars  
**Knieendoprothetik: Das optimale Implantat für jeweilige Indikation finden**  
*Orthopäde 2000 (Suppl1) 29: S1-2*
- M. Zinck, R. Sellkau  
**Rotationsknieprothese Endo-Modell®- Geführter Oberflächenersatz mit Sti(e)**  
*Orthopäde 2000 (Suppl1) 29: S 38-42*
- M. Crowa, E. Cenna, C. Olivero  
**Rotating knee prosthesis – Surface or hinge replacement?**  
*Orthopäde 2000 (Suppl1) 29: S 43-44*
- J-N. Argenson, J M. Aubaniac  
**Total Knee arthroplasty in femorotibial instability**  
*Orthopäde 2000.29:S 45-47, Springer Verlag 2000 (K72)*
- M. von Knoch, R. Brocks, C. Siegmüller, G. Ribaric, L. Leupolt, G. von Förster  
**Knieflexion nach Rotationsknieendoprothese**  
*Z. Orthop 2000; 138: 66-68 (K71)*
- R.E. Windsor, K. Steinbrink  
**Controversies in Total Knee Replacement Two-stage exchange is the optimal treatment for an infected total knee replacement**  
*Oxford University Press 2001 (K78)*
- A. Katzer, R. Sellckau, W. Siemssen, G. von Foerster  
**ENDO-Modell Rotating Knee Prosthesis: a functional analysis**  
*J Orthopaed Traumatol (2002) 3:163-170, Springer Verlag 2002*
- Thomas Nau, MD, E. Pfelegerl, MD, J. Erhart, MD, and V. Vecsei, MD  
**Primary Total Knee Arthroplasty for Periarticular Fractures**  
*The Journal of Arthroplasty, Vol 18, No 8, 2003 (K82)*
- G. Petrou, H. Petrou, C. Tilkeridis, T. Stavrakis, T. Kapetsis, N. Kremmidas, M. Gavras  
**Medium-term results with a primary cemented rotating-hinge total knee replacement**  
**A 7-TO 15-YEAR FOLLOW-UP**  
*J Bone Joint Surg (Br), 2004; 86-B :813-17 (K84)*
- M.R. Utting, J.H. Newman  
**Customised hinged knee replacement as a salvage procedure for failed total knee arthroplasty**  
*The Knee 11 (2004) 475-479 (K86)*
- Nayana Joshi, Antonio Navarro-Quilis  
**Is There a Place for Rotating-Hinge Arthroplasty in Knee Revision Surgery for Aseptic Loosening?**  
*The Journal of Arthroplasty 2008; 23(8):1204-1210 (K94)*
- M. Napp, M. Frank, M. Witt  
**Pathologische Fraktur des distalen Femurs bei Knie-TEP**  
*Der Orthopäde, Band 38, Heft 10, Oktober 2009 (K96)*
- Dae Kyung Bae, Sang Jun Song, Kyoung Ho Yoon, Jung Ho Noh  
**Long-Term Outcome of Total Knee Arthroplasty in Charcot Joint: A 10- to 22- Year Follow-Up**  
*The Journal of Arthroplasty 2009; 24(8):1152-1156 (K98)*





Please note the following regarding the use of our implants:

**1. Choosing the right implant is very important.**

The size and shape of the human bone determines the size and shape of the implant and also limits the load capacity. Implants are not designed to withstand unlimited physical stress. Demands should not exceed normal functional loads.

**2. Correct handling of the implant is very important.**

Under no circumstances should the shape of a finished implant be altered, as this shortens its life span. Our implants must not be combined with implants from other manufacturers. The instruments indicated in the Surgical Technique must be used to ensure safe implantation of the components.

**3. Implants must not be reused.**

Implants are supplied sterile and are intended for single use only. Used implants must not be used again.

**4. After-treatment is also very important.**

The patient must be informed of the limitations of the implant. The load capacity of an implant cannot compare with that of healthy bone!

**5. Unless otherwise indicated, implants are supplied in sterile packaging.**

Note the following conditions for storage of packaged implants:

- Avoid extreme or sudden changes in temperature.
- Sterile implants in their original, intact protective packaging may be stored in permanent buildings up until the "Use by" date indicated on the packaging.
- They must not be exposed to frost, dampness or direct sunlight, or mechanical damage.
- Implants may be stored in their original packaging for up to 5 years after the date of manufacture. The "Use by" date is indicated on the product label.
- Do not use an implant if the packaging is damaged.

**6. Traceability is important.**

Please use the documentation stickers provided to ensure traceability.

**7. Further information** on the material composition is available on request from the manufacturer.

**Follow the instructions for use!**

## Waldemar Link GmbH & Co. KG, Hamburg

All content in this catalog, including text, pictures and data, is protected by law. Every instance of use, whether in part or in whole and which is not permitted by law, is subject to our prior consent. In particular, this applies to the reproduction, editing, translation, publishing, saving, processing, or passing on of content stored in databases or other electronic media and systems, in any manner or form. The information in the catalogs is solely intended to describe the products and does not constitute a guarantee.

The Surgical Technique described has been written to the best of our knowledge and belief, but it does not relieve the surgeon of his/her responsibility to duly consider the particularities of each individual case.

Products shown in this document may not be available in your country. The product availability is subject to the approval and/or registration regulations of the respective country. Please contact Waldemar Link GmbH & Co. KG if you have questions about the availability of LINK products in your country.

Waldemar Link GmbH & Co. KG and/or other corporate affiliated entities own, use or have applied for the following trademarks in many jurisdictions: LINK, BiMobile, SP II, Modell Lubinus, E-Dur, EndoDur, T.O.P. II, BetaCup, CombiCup PF, CombiCup SC, CombiCup R, MobileLink, C.F.P., LCU, SP-CL, LCP, MIT-H, Endo-Model, Endo-Model SL, MP, MEGASYSTEM-C, GEMINI SL, SPAR-K, LCK, HX, TiCaP, X-LINKed, PorAg, LINK PorEx, BiPorEx, PorEx-Z, TrabecuLink, Tilastan, customLINK, RescueSleeve, Stactip, VACUCAST.

Other trademarks and trade names may be used in this document to refer to either the entities claiming the marks and/or names or their products and are the property of their respective owners.

