





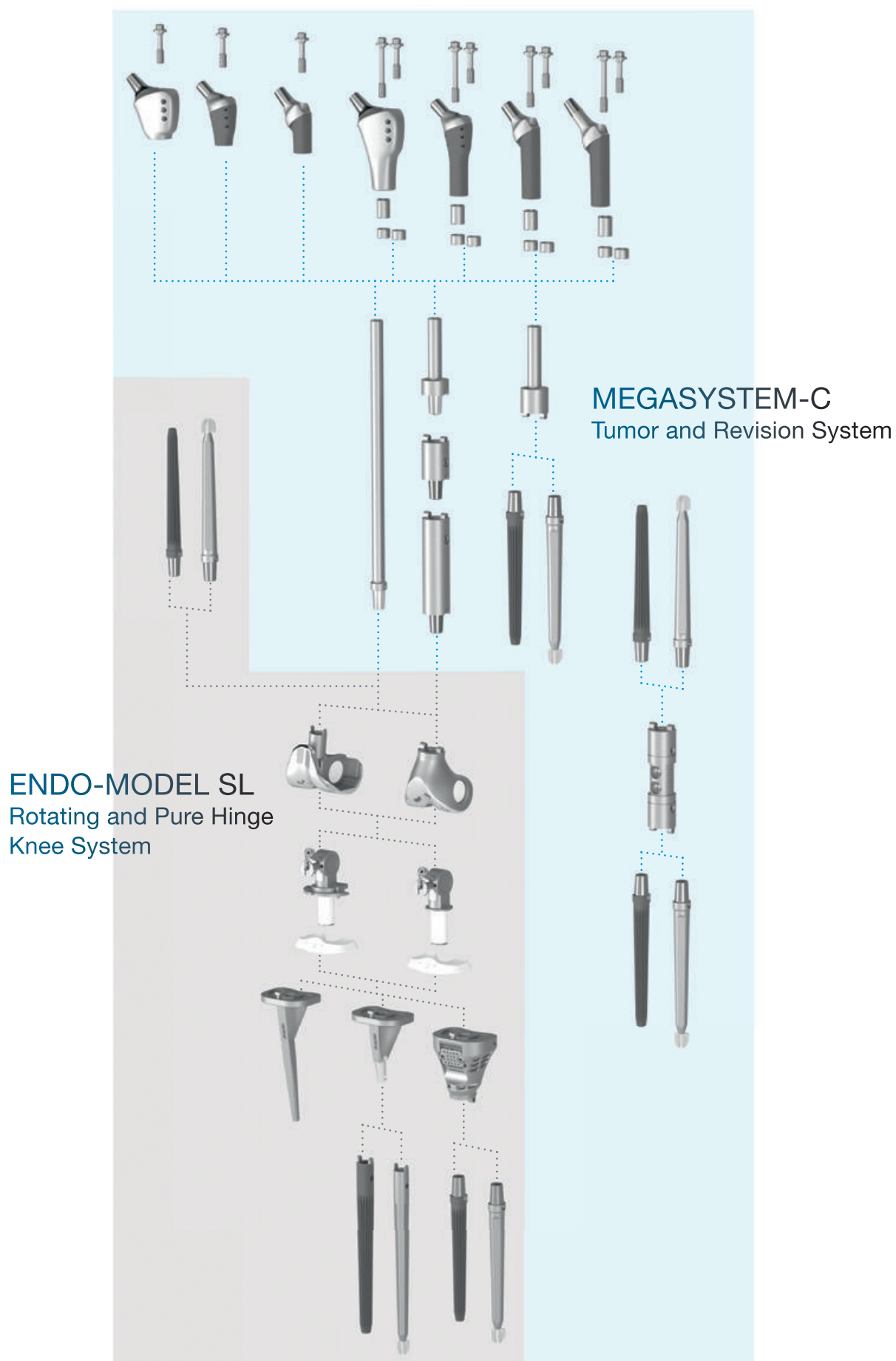
MEGASYSTEM-C

Surgical Technique

CE 0482

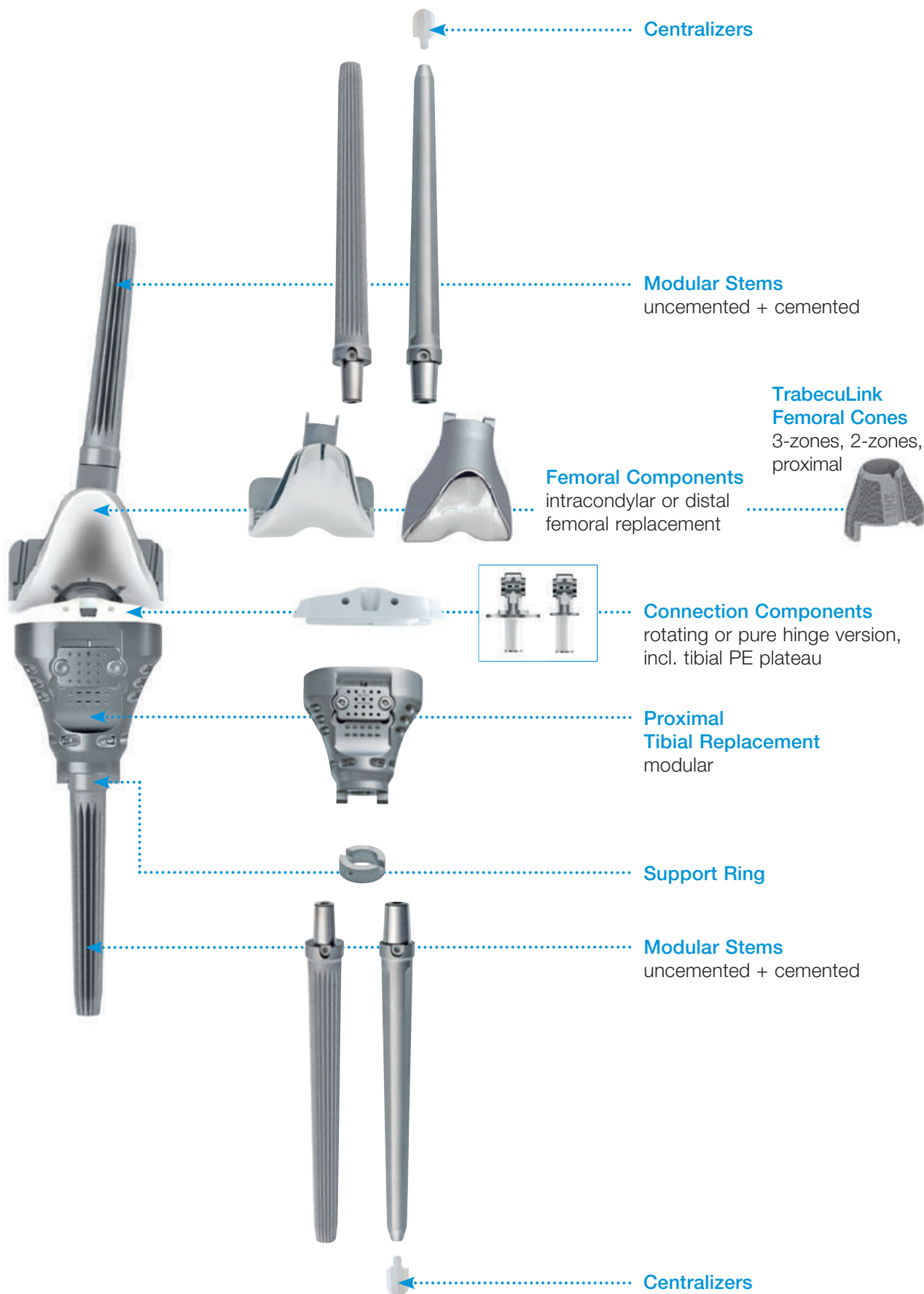
Explanation of Pictograms			
	Manufacturer		Article number
	Material number		Product meets the applicable requirements, which are regulated in the EU harmonization legislation for the affixing of the CE marking.

02	Modular System Overview
03	Variety of Assembly Applications
12	Preoperative Planning
12	Important Information on Implantation of MEGASYSTEM-C Components
	Surgical Technique
13	Standard Preparation Tibia
20	Standard Preparation Femur
28	Assembling the Tibial Components
33	Assembling the Connection Components – Pure Hinge
34	Proximal Tibial Replacement
38	Bone Preparation: Without Using a Recess Ring (optional procedure)
40	Push-through Prosthesis
46	Proximal Femoral Replacement
47	Optional: Patella Preparation (Patella Resurfacing)
	Implants
52	Neck Segments
53	Proximal Spacers and Expansion Bolt
54	Prosthesis Heads
55	Stem Components
57	Interprosthetic Sleeves (RescueSleeve – Custom-made prostheses)
58	Joint Components Endo-Model SL for Rotating and Pure Hinge Knee
63	Proximal Tibial Spacers, for Endo-Model SL Rotating and Pure Hinge Knee
65	Modular Stems with male and female taper
68	LINK Endo-Model EVO – W Joint Components: Condylar Replacement
68	MEGASYSTEM-C Endo-Model Modular Joint Components: Intracondylar Version
69	Centralizers, LINK Patella Components
	Instruments
70	Overview Instrument Sets for MEGASYSTEM-C
74	Instrument Set – Tapered Reamers: 100 mm
75	Instrument Set – Tapered Reamers: 130 mm
76	Instrument Set – Tapered Reamers: 160 mm
77	Instrument Set – General Instruments I
78	Instrument Set – General Instruments II
79	Instrument Set – Femur I
80	Instrument Set – Femur II
81	Instrument Set – Tibia
82	Instrument Set – Femoral Trial Stems: 100 mm, 130 mm, 160 mm
84	Instrument Set – Tibial Trial Stems: 100 mm, 130 mm, 160 mm
85	Instrument Set – Trial Prostheses: Femur/Tibia, intracondylar
86	Instrument Set – Trial Prostheses: Distal Femur and Proximal Tibial Replacement
87	Instrument Set – Trial Prostheses: Total Femur Replacement
89	Instrument Set – MP Trial Implants
90	Instrument Set – Assembly
91	Assembling Instruments
98	Instrument Set, Patella Resurfacing, 3-pegs
99	Additional Instruments
101	Accessories: X-ray Templates
102	Additional Information: Surface Modifications
103	Further Information: Literature
	Important Information

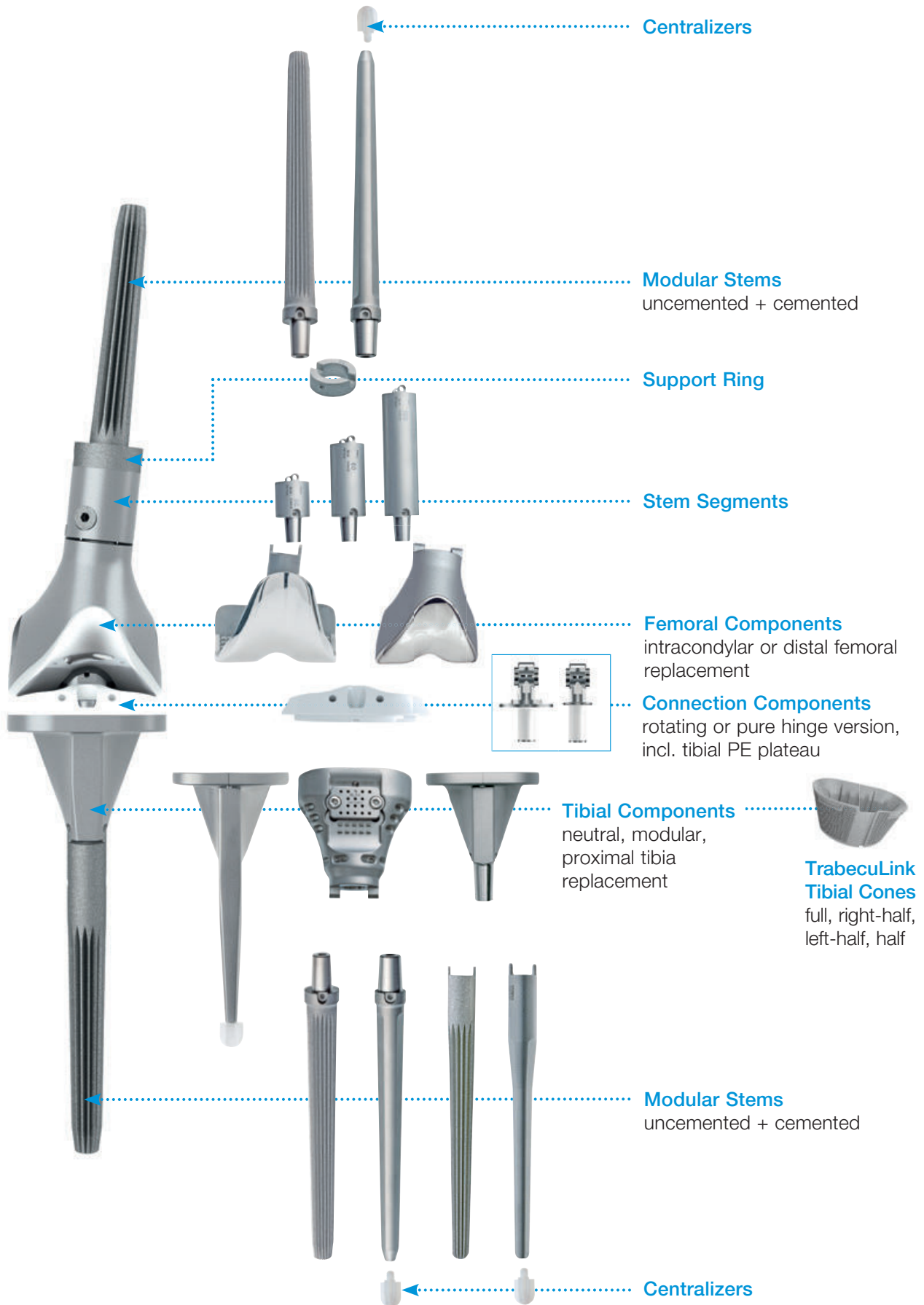


For the sake of clarity, in the following, also shorter versions of the above-mentioned product name is used: Endo-Model SL, Megasytem-C

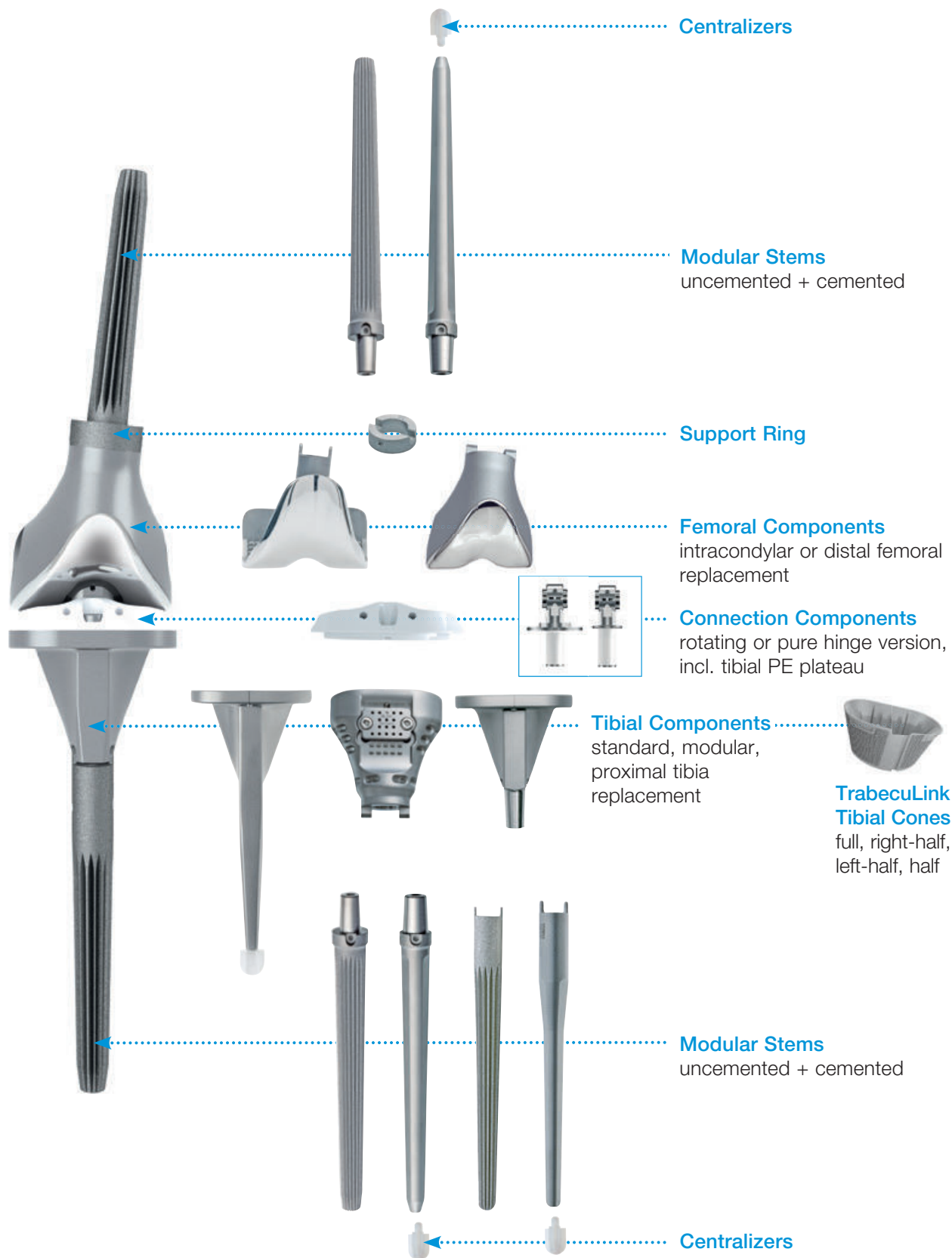
Variety of Assembly 1

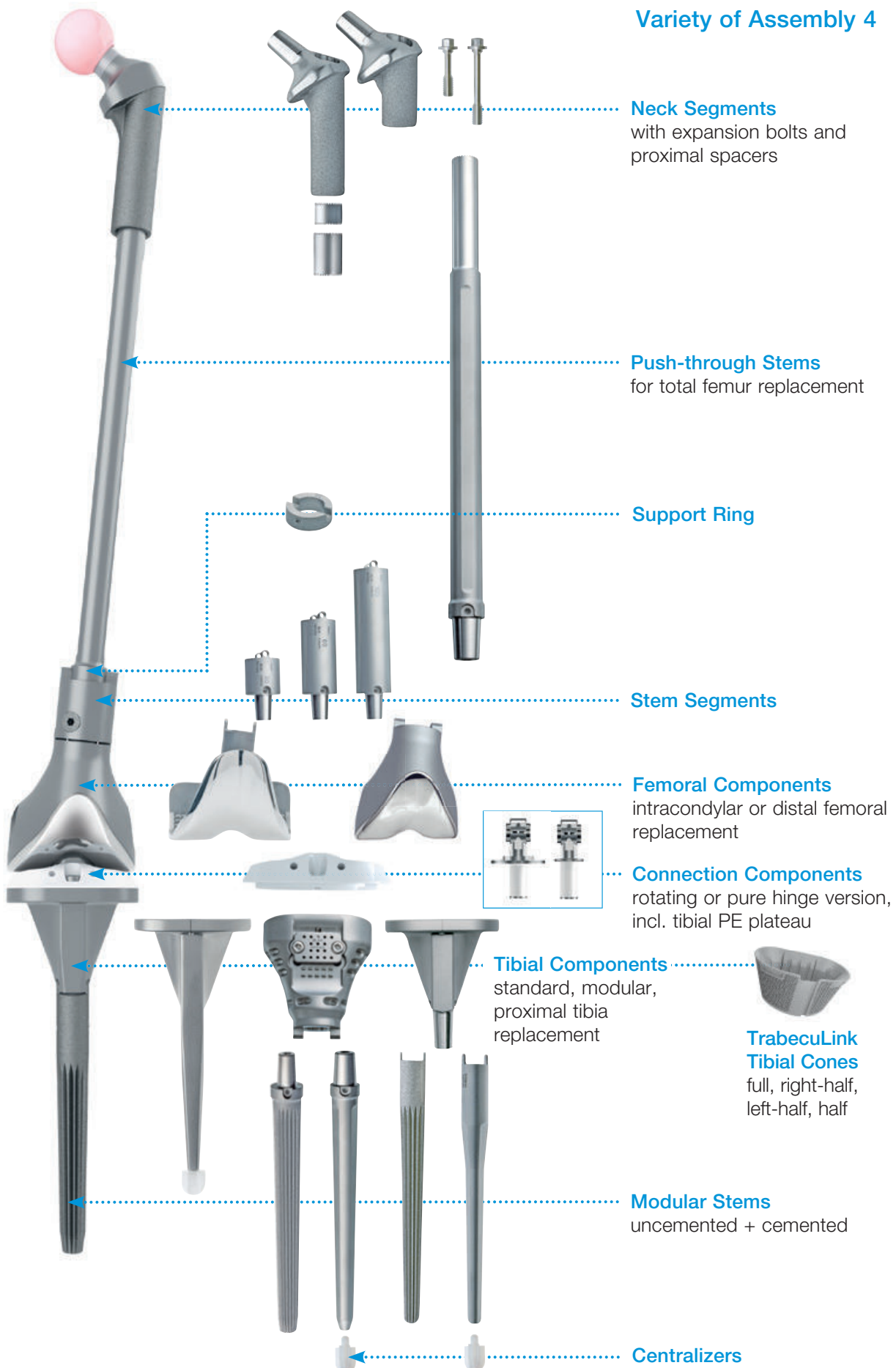


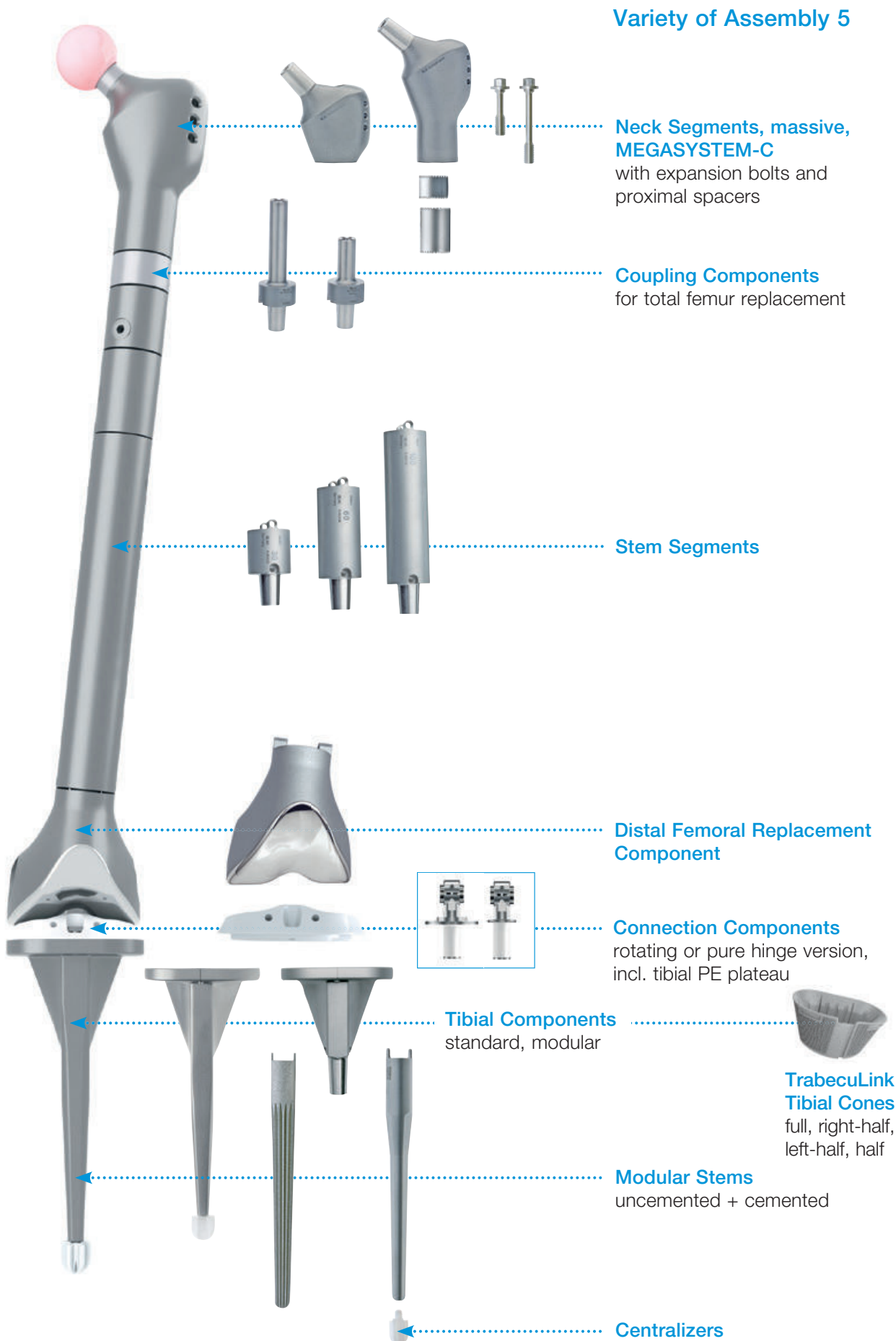
Variety of Assembly 2



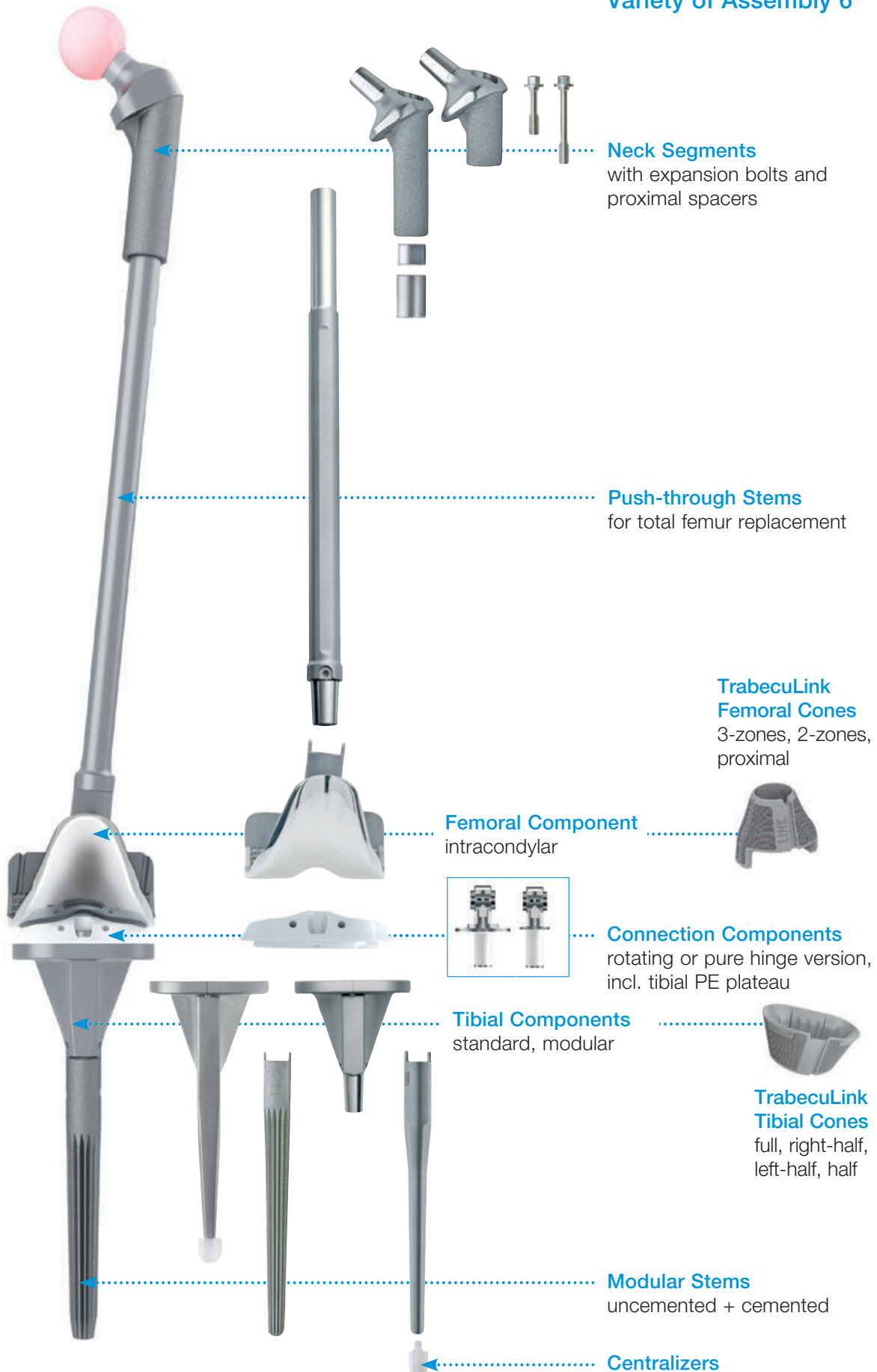
Variety of Assembly 3



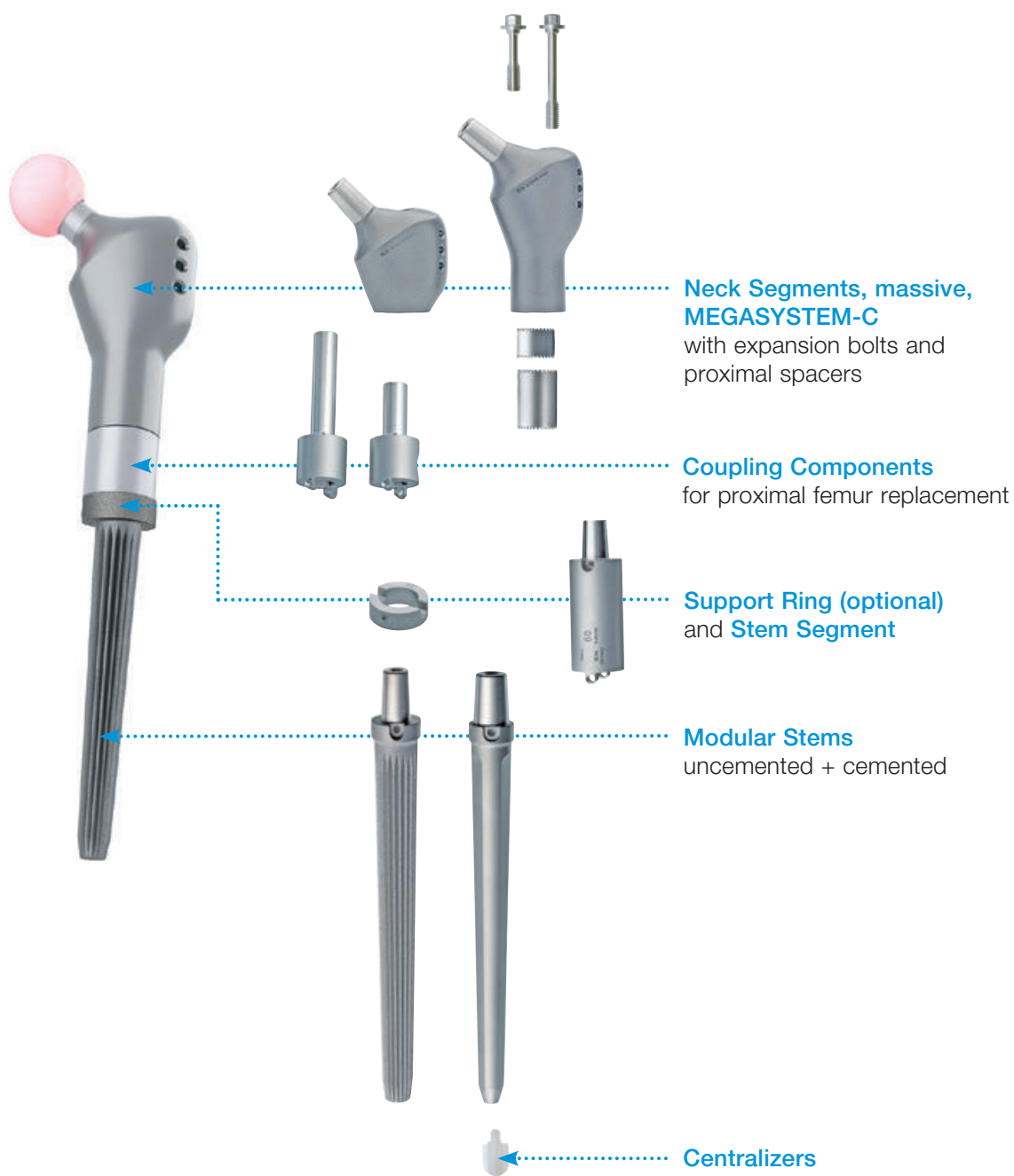




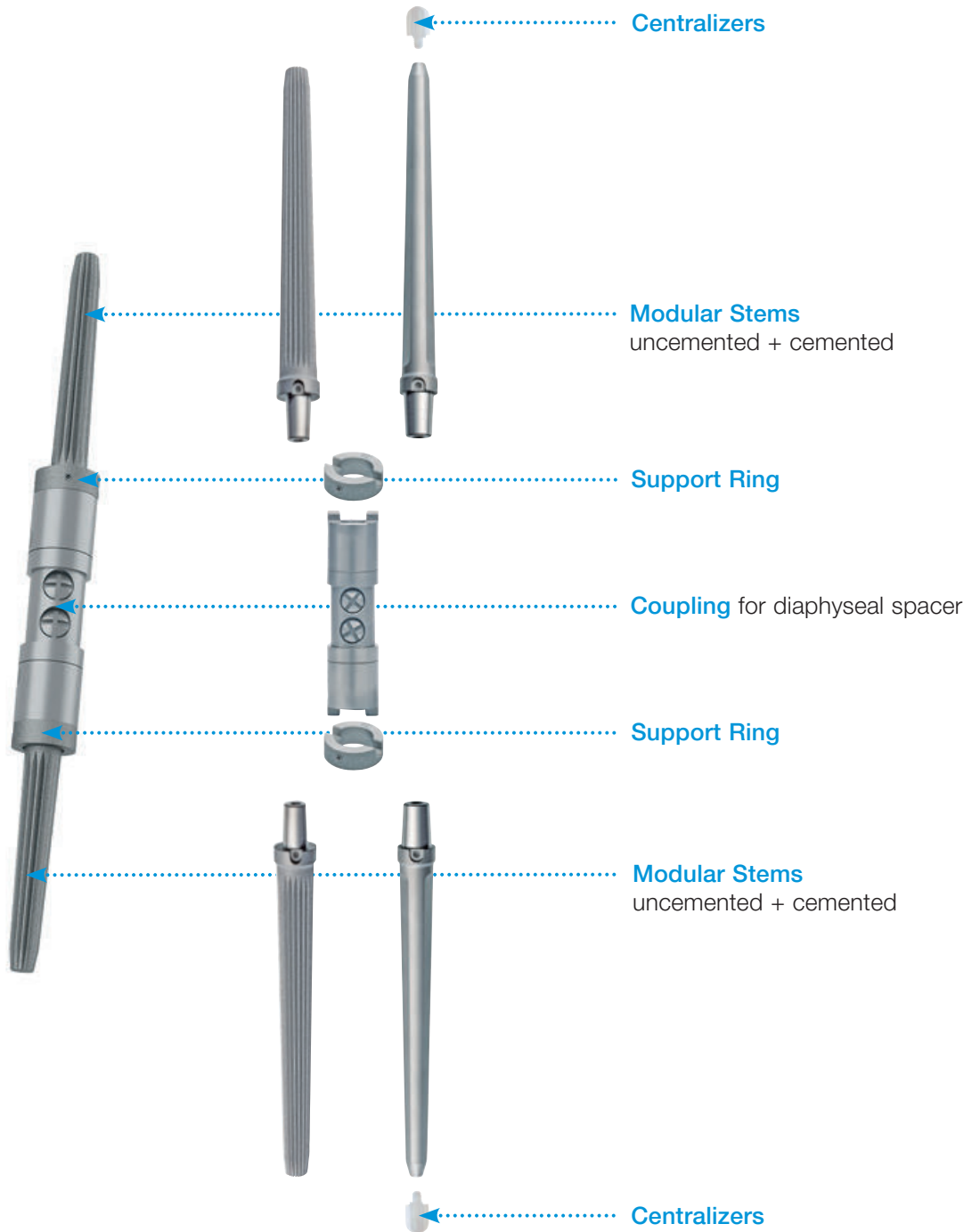
Variety of Assembly 6



Variety of Assembly 7



Variety of Assembly 8



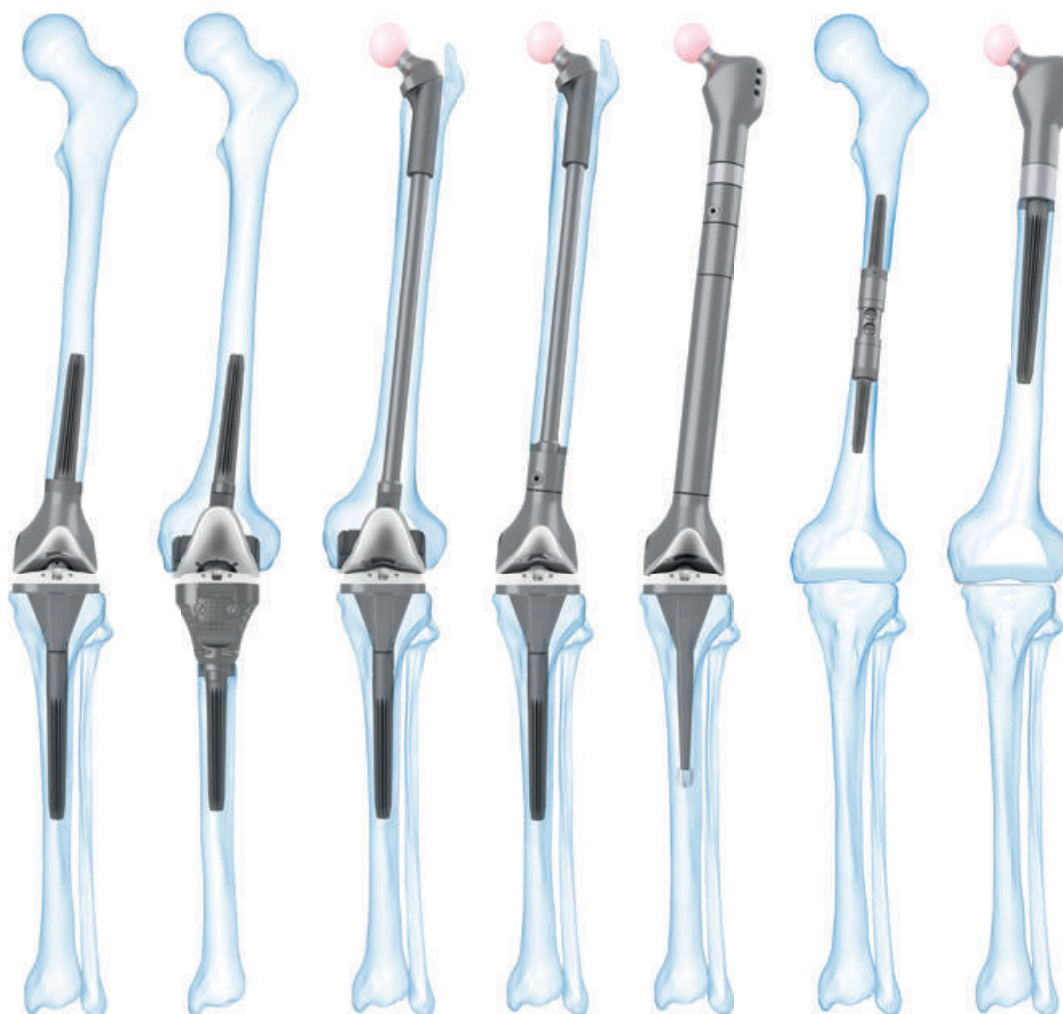
Preoperative Planning

Measurement tables and X-ray templates are available for the preoperative planning of revision and tumor surgery with the MEGASYSTEM-C Modular Components and Endo-Model SL Rotating and Pure Hinge Knee System, which enable the surgeon to plan precisely the implants that will be used.

True-to-scale radiographs or precise knowledge of the actual magnification factor are the foundation for exact preoperative planning. LINK X-ray templates show the implant illustrations in 110% magnification as standard. If different scales are desired, we will meet these wishes as far as technically possible. We provide data for digital planning on request to providers of digital planning software in the current formats.

Despite good preoperative planning, unforeseeable extensive bone loss in tumor and revision cases often presents a challenge for the surgeon. Especially in these cases the Endo-Model SL Rotating and Pure Hinge Knee Posthesis also in conjunction with the MEGASYSTEM-C – proves its user friendliness. There is a high degree of modularity and flexibility in the adaptation of the implants to the respective bone situation in 10-mm steps.

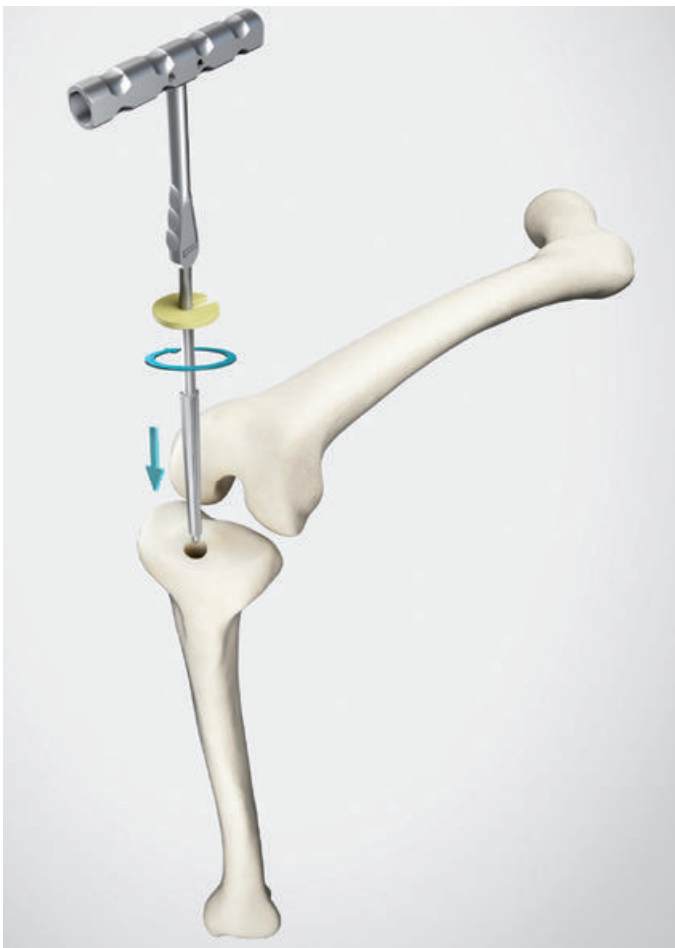
In contrast to the use of normal hip and knee joint prostheses, management of extensive bone loss depends on the conditions in each individual situation. Structural changes in the muscles and ligaments, fixation conditions etc. increase the operative demands of tumor prostheses. Accordingly, management of extensive bone loss presents particular problems and is therefore subject to greater risk compared with the use of normal joint prostheses.



Important Information on Implantation of MEGASYSTEM-C Components

- 1) In comparison with primary hip and knee implantation, the bone conditions for anchoring the prosthetic components are often very difficult when megaprotheses are indicated and often necessitate compromise solutions. The useful life of the prostheses cannot be compared with that of primary joint arthroplasty.
- 2) Compensation of large bone defects is often associated with weakening of the soft tissues. The resulting alteration in biomechanics can also have a negative effect on the durability and function of the prosthesis.
- 3) The infection risk is usually much greater with tumor or revision surgery than with primary procedures.
- 4) Prior to use of MEGASYSTEM-C implants, detailed preoperative planning is essential.
- 5) Correct leg length adjustment reduces the stresses on the implant components, the tapered connections and the bone/implant connections.
- 6) The assembly instruments for MEGASYSTEM-C must always be used to join the implant tapered connections.
- 7) Whenever possible, the tapered connections should be joined outside the patient on the MEGASYSTEM-C operating table.
- 8) Before securing the tapered connection with the locking screw, the connection must first be made using the appropriate assembly instruments (see instructions for use) (the components must be hammered together before being screwed).
- 9) The taper must be clean and dry before they are joined.
- 10) The locking screw should generally be used from the medial side. When the operative access is difficult, the implants provide the option of using the screw from the lateral side. Only one screw should be used.
- 11) When changing the locking screw, a new screw must always be used.
- 12) In revision operations, a new implant component should always be used as far as possible. Should an implant remain in the body, the taper must be protected from damage.
- 13) If a tapered connection is separated by means of the distraction instrument (15-8506/52) or the taper surfaces are damaged, the two implant components involved must not be reused.

Standard Preparation Tibia



Intramedullary Alignment

01

Mark the entry site with the bone awl (317-658/01) and open the tibial canal with the conical drill (15-6037/00).

02

Mount the tapered reamer of the previously planned length (100 mm, 130 mm or 160 mm) at the T-handle (15-6053/00). The impactation plate (16-3203/00) latches into the slot on the shaft of the tapered reamer.

When uncemented modular stems are used, ream with an increasing diameter until the tapered reamer makes cortical contact over a continuous distance of approx. 50 mm. The uncemented implant that will be used must correspond in length and diameter to the last tapered reamer used.

For cemented modular stems, the tapered reamer should be at least 2 mm larger than the planned stem diameter.

CAUTION:

The position of the impactation plate represents the level of the joint line. Using the tapered reamers with a power tool is not permitted.



03

After the desired stability is achieved, the T-handle (15-6053/00) and the impaction plate (16-3203/00) are removed.

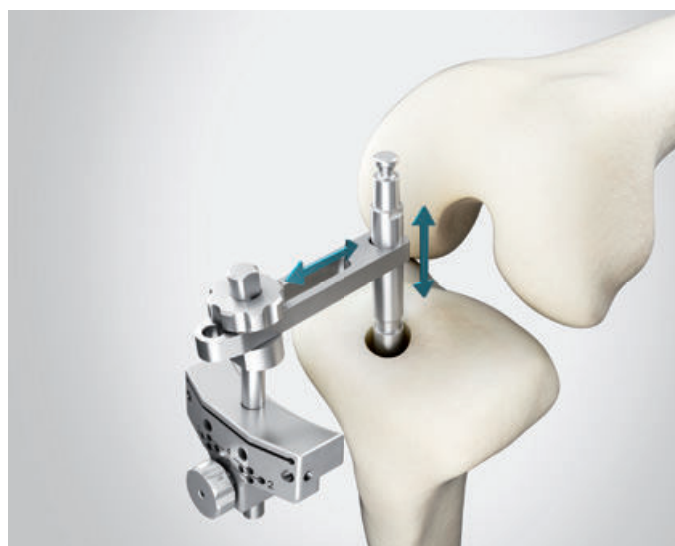
Please Note:

Surgical procedures for TrabecuLink Femoral and Tibial Cones are described in the implant-specific surgical technique.



04

Attach the connector (16-3212/08) to the shaft of the tapered reamer.

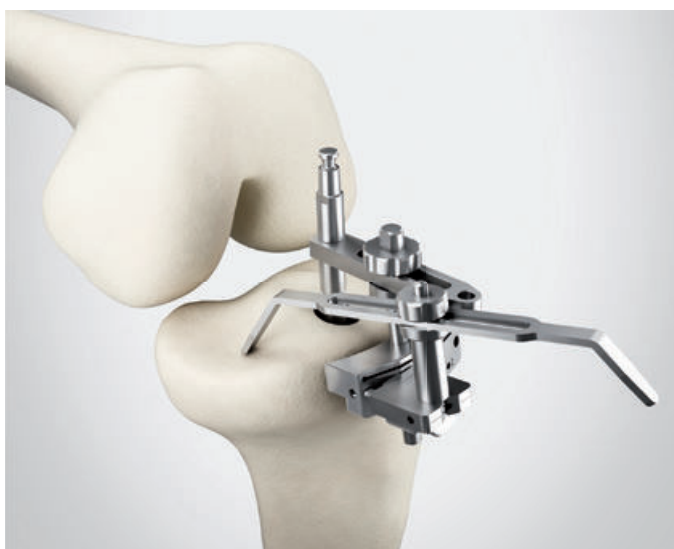


05

Attach the tibial saw guide (16-3241/00) to the anterior shaft of the connector and fix it provisionally by tightening the knurled screw.

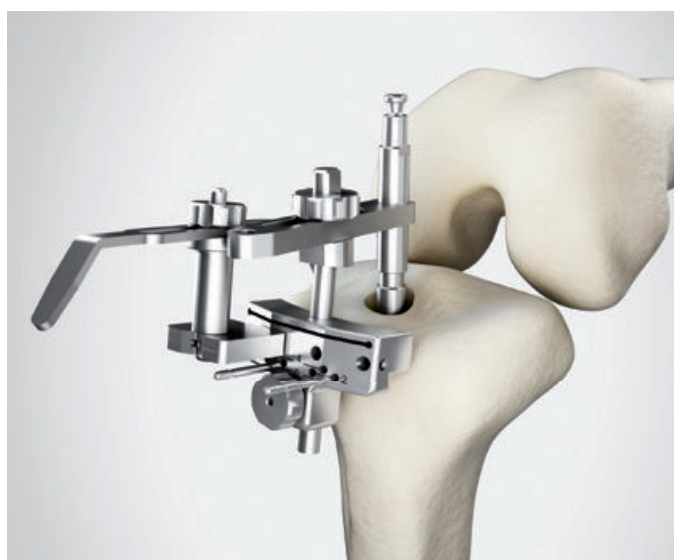
INFORMATION:

Drop post for tibial cut block must show „Front“ facing front to confirm proper posterior slope.



06

Attach the stylus for the tibial saw guide (317-802/52), preferably medially. The stylus tip marked **10**, marks the resection level in the primary procedure (10 mm resection level). The stylus tip marked **2** can be used in revision surgery and marks a resection level of 2 mm. Alternatively, the stylus can be omitted and the resection level can be set using the cutting template (317-607/50).



07

The tibial saw guide (16-3241/00) is fixed to the proximal tibia by means of two wire pins (317-585/65 or /95) through the lower row of parallel holes.



08

The bone is resected following removal of the stylus, connector and tapered reamer. The resection can be extended distally by 2 mm or 4 mm by shifting the tibial saw guide.

To achieve the correct resection geometry, sawblades with a thickness between 1.24 mm and 1.27 mm must be used.

**09**

The last used tapered reamer is inserted into the medullary cavity again. By placing the drill template (16-3198/12, /13, /14) that corresponds exactly to the implant size, the definitive implant size is determined. It is important that the implant covers the resection surface as far as possible. Projection over the cortical margin of the tibia must be avoided.

**10**

The tibial alignment gauge (16-3266/00) is placed over the shaft of the tapered reamer and connected to the pegs of the drill template. After rotational alignment of the drill template is determined, it is fixed to the resection surface with at least two wire pins.

For rotational alignment, the alignment rod (16-3242/00) can be pushed from ventral onto the drill template. The ventral alignment rod must be aligned in the area between the middle of the tibial tuberosity and its medial margin.

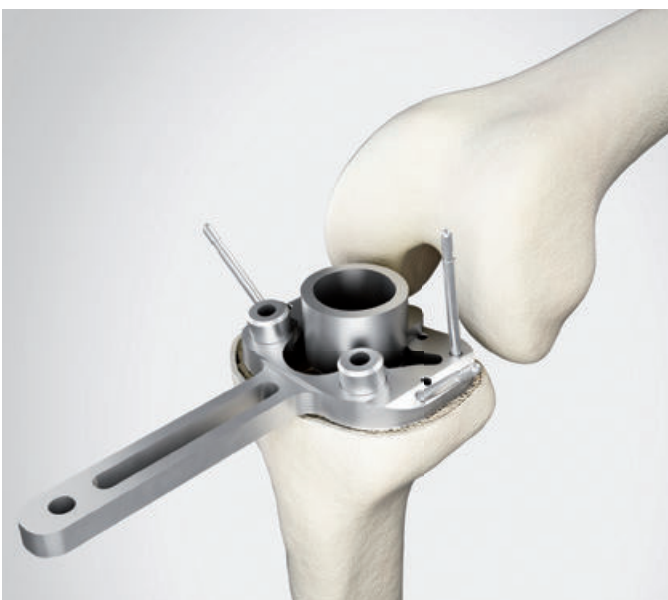
**11**

Removal of the alignment gauge. The tapered reamers Ø 19–24 mm must also be removed temporarily and then reinstalled.



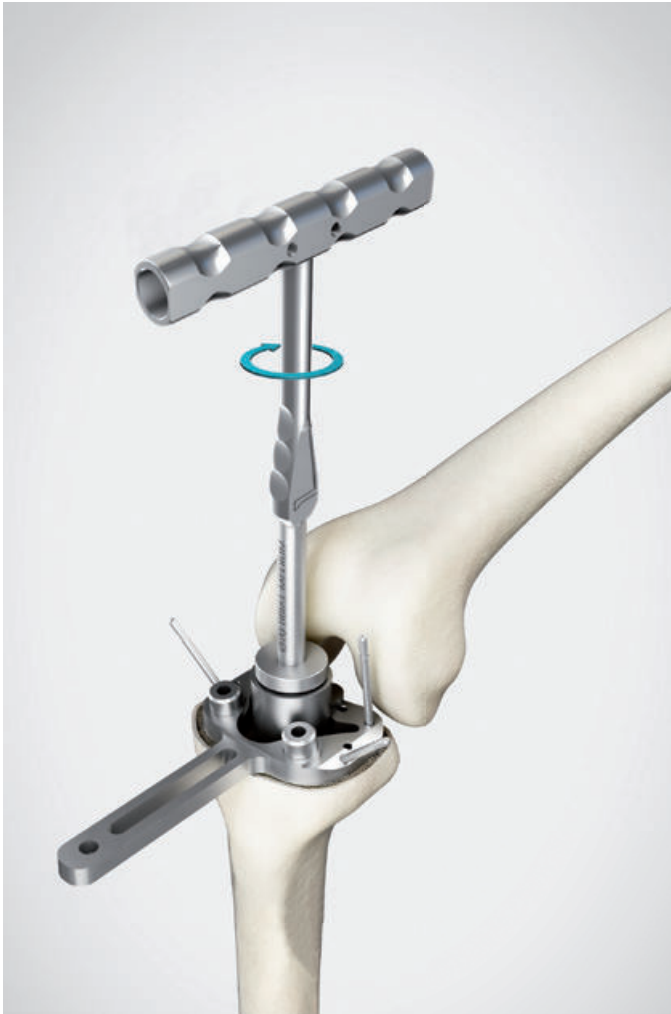
12

Attach Ø 16 mm tibial drill guide (16-3267/00) and drill the proximal tibia (manually or machine-operated) with the Ø 16 mm tibial drill (16-3207/16) until stop.



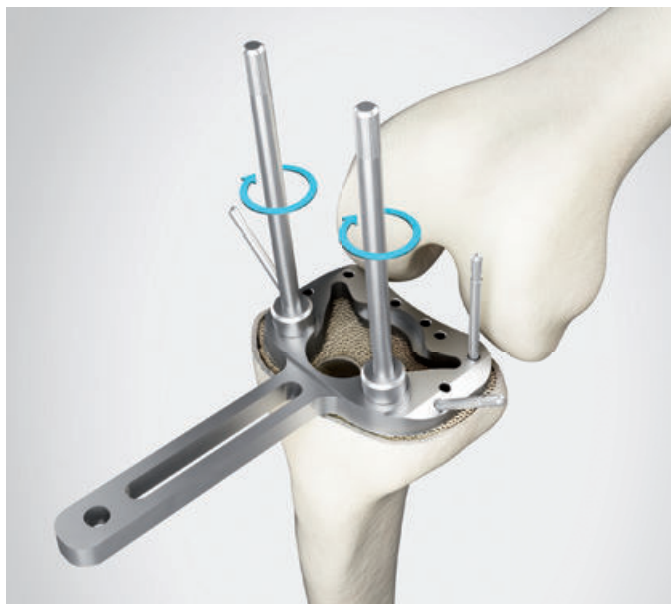
13

After removing the Ø 16 mm tibial drill guide, the tibial drill guide (16-3270/18, /20, /22) is attached to drill the central tibial opening. The tibial drill guide must correspond to the size of the drill template.



14

Drill the central tibial opening manually with the tibial drill (16-3208/18, /20, /22) corresponding in diameter to the tibial drill guide until stop.



15

Screw the guide rods (16-3211/00) into the anterior threaded holes of the drill template.



16

Screw the stem compressor (16-3201/02, /03, /04) to the corresponding bone compressor (16-3199/12, /13, /14) for the proximal contour. Attach the handle (16-3197/00).

17

Drive in the compressor over the guide rods until the compressor touches the drill template.

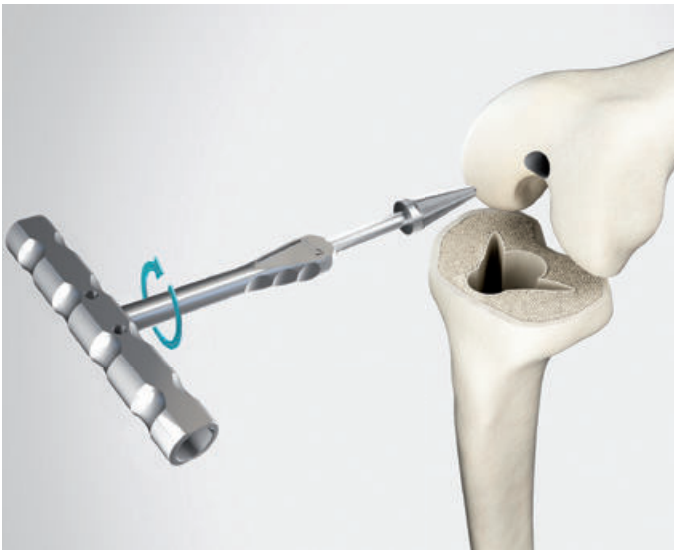


18

Preparation of the tibia is now complete.

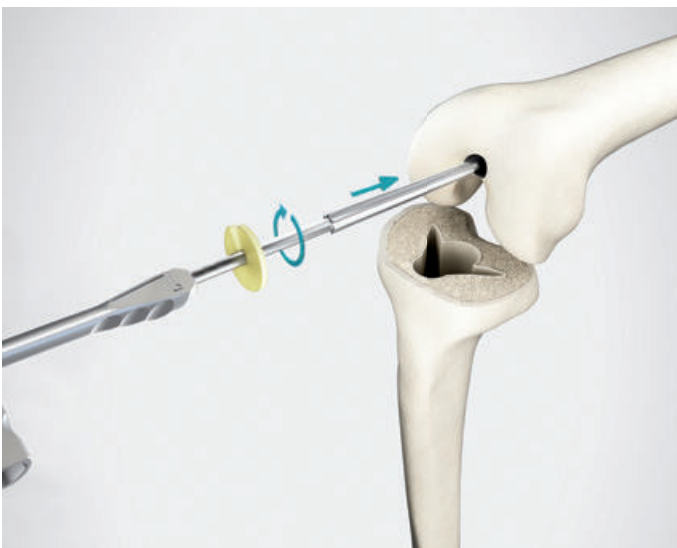


Standard Preparation Femur



19

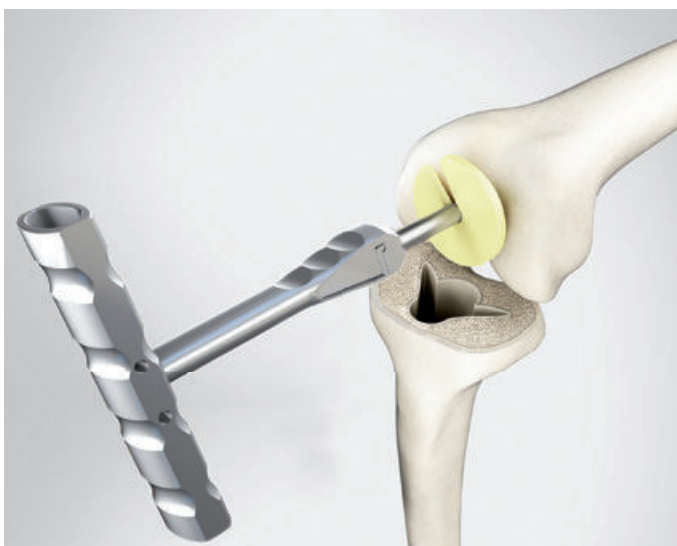
Mark the entry site with the bone awl (317-658/01) and open the femoral canal with the conical drill (15-6037/00).



20

Attach the tapered reamer of the planned length (100 mm, 130 mm or 160 mm) to the T-handle (15-6053/00). The impaction plate (16-3203/00) latches into the slot on the shaft of the tapered reamer.

When uncemented modular stems are used, ream with an increasing tapered reamer diameter until the tapered reamer makes cortical contact over a continuous distance of approx. 50 mm. The uncemented implant that will be used must correspond in length and diameter to the last tapered reamer used.



21

For cemented modular stems, the tapered reamer should be at least 2 mm larger than the planned stem diameter.

CAUTION:

The position of the impaction plate represents the level of the joint line. Using the tapered reamers with a power tool is not permitted.

Please Note:

Surgical procedures for TrabecuLink Femoral and Tibial Cones are described in the implant-specific surgical technique.



22

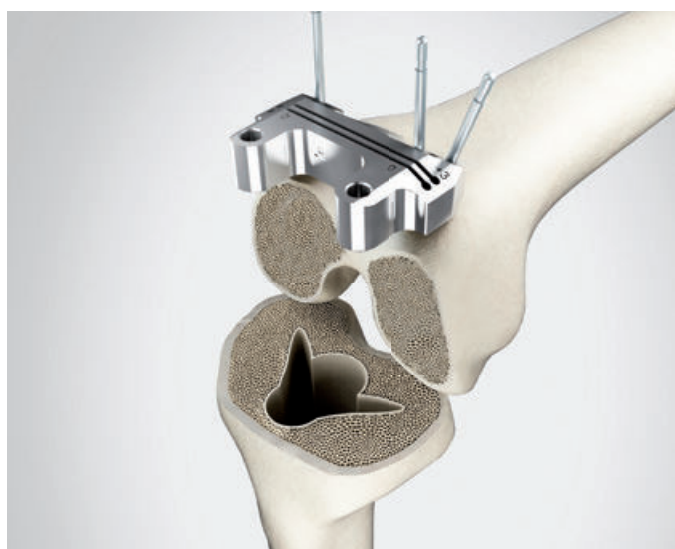
Remove the impaction plate and attach the alignment instrument for valgus angulation (16-3275/00). Ensure that the correct instrument for the right or left side is attached. The word “**Left**” or “**Right**” must face upward.



23

The appropriate cutting block (16-3228/02, /03, /04) for the distal saw cut – according to the previously determined size – is fixed to the valgus alignment instrument using the clamp. The cut can be simulated with the cutting template (317-607/50).

There is a +3 mm slot for proximal offset of the cut or the instrument can be moved by +2 mm after it is fixed by wire pins.



24

After fixing the cutting block by means of two parallel and one oblique wire pins, the valgus alignment instrument and the tapered reamer are removed and the distal cut is made.

To achieve the correct resection geometry, sawblades with a thickness between 1.24 mm and 1.27 mm must be used.



25

With the alignment instrument for determination of external rotation (16-3276/00), the selected femoral size is first set and fixed with a pin.

The alignment instrument allows external rotation to be set to 0°, 3° and 5° with reference to the posterior condylar tangent. Alternatively, external rotation can also be aligned using the Whiteside line with the small dipstick in the center of the instrument. Small alignment rods can be attached medially and laterally for orientation to the epicondylar line (Insall line).

Deficits in flexion and extension gap can be balanced by using femoral segments or tibial spacers.



26

Once the correct position is found, the instrument is fixed with two wire pins through the medial and lateral holes.



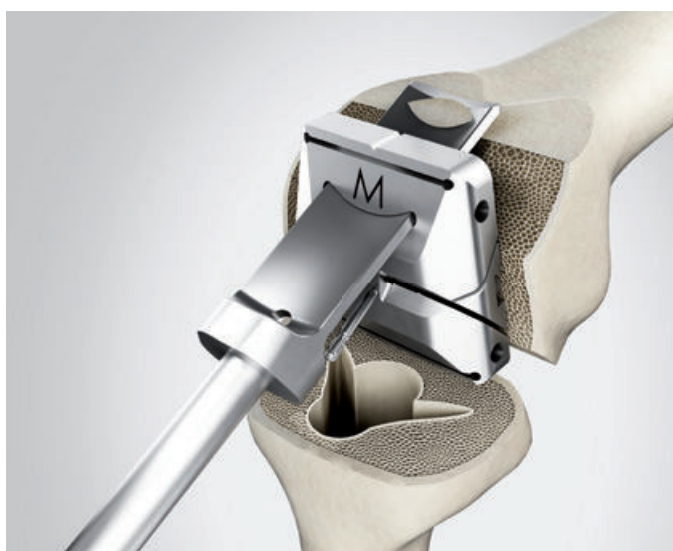
27

After the wire pins and alignment instrument have been removed, the dove tail adapter (317-802/36) is inserted in the depressions created by the wire pins.

**28**

The femur cutting block for chamfer cuts (16-3250/02, /03, /04) is pushed onto the side of the dove tail adapter and the central hex screw is fixed in the selected position with the hex screwdriver, hex 2.5 mm (10-5373/01). Two wire pins can then be inserted for additional fixation. The anterior cut is made first, then the dorsal and finally the anterior and posterior oblique cut.

To achieve the correct resection geometry, sawblades with a thickness between 1.24 mm and 1.27 mm are to be used.

**29**

Before the trochlea is prepared with the chisel (317-802/32) for the patellar gliding groove, the femur cutting block for chamfer cuts is aligned somewhat lateral to the center. Then the chisel is connected to the diver/extractor (15-8516/45), and the trochlea is prepared with it.

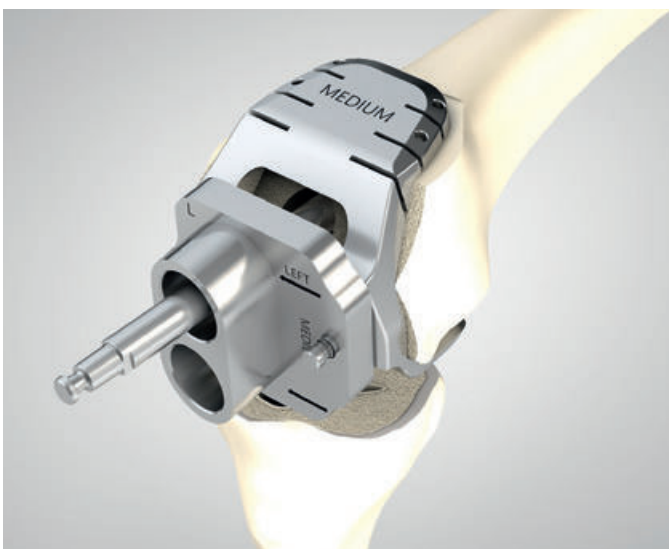
**30**

Following preparation of the distal femur, the last used tapered reamer is inserted into the medullary canal again.



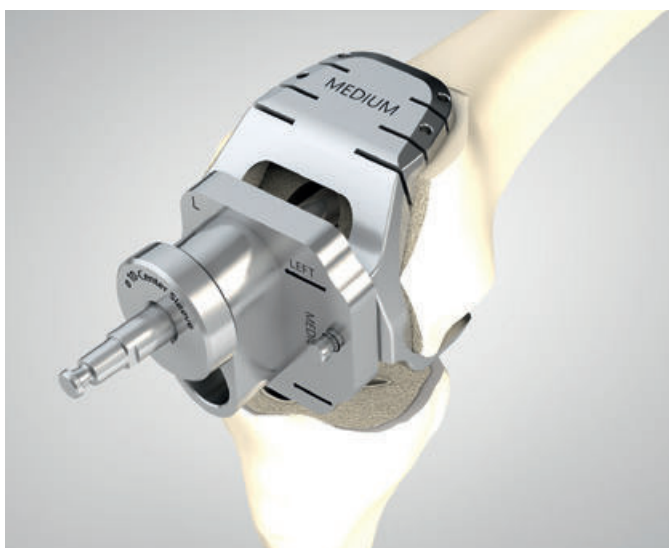
31

The femur condyle cap (16-3241/02, /03, /04; alternatively: 16-3240/02, /03, /04) is placed on the prepared bone surfaces. The shaft of the tapered reamer forms the center. Through the ventral saw slots the bone can be prepared, matched to the femoral segments in 15 mm, 25 mm or full.



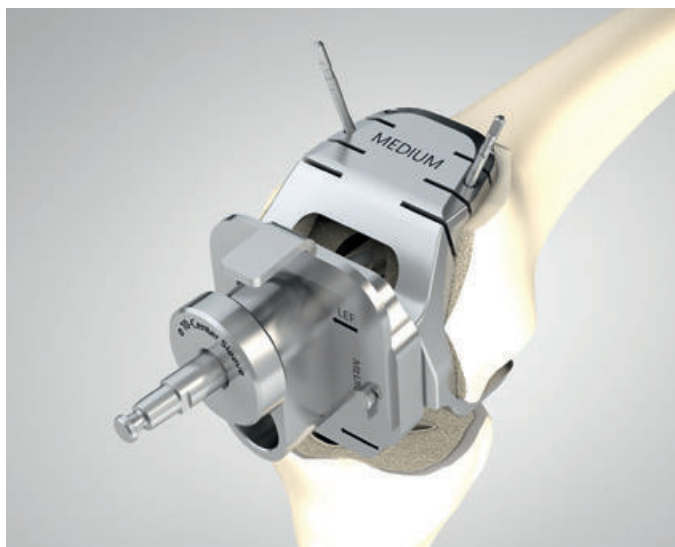
32

A femur drill cap (16-3213/02, /03, /04) of the same size as the femur condyle cap is placed on the pegs of the femur condyle cap. The word “**Left**” or “**Right**” must be situated horizontally.



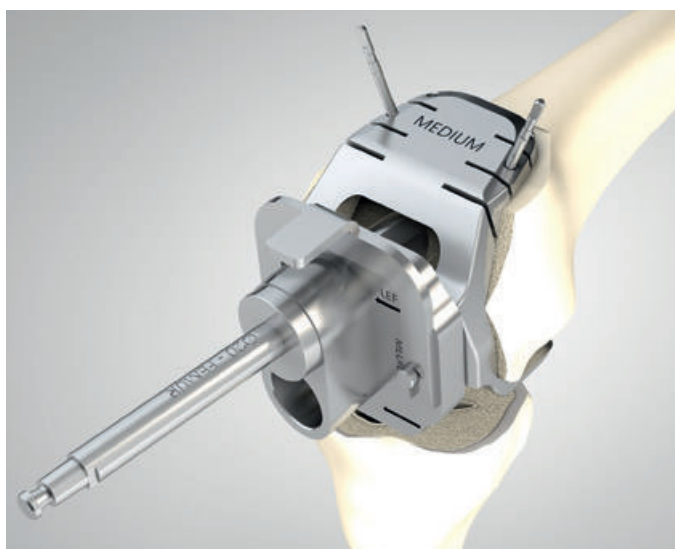
33

Using the center sleeve (16-3281/00), the instruments are aligned and centered on the shaft of the tapered reamer.



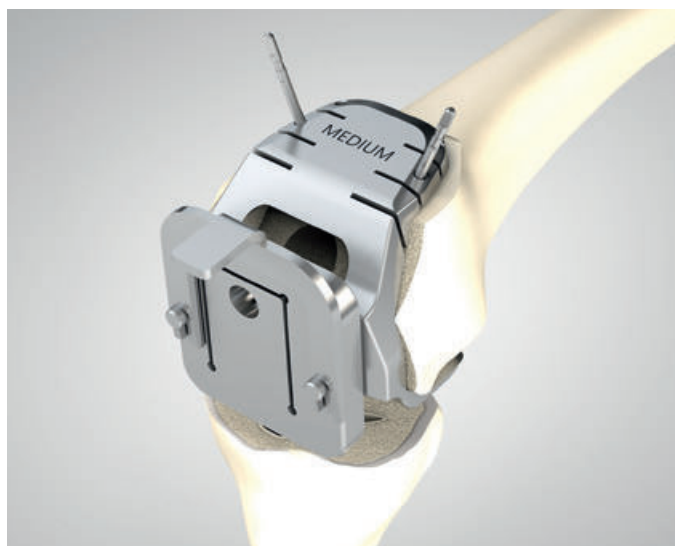
34

Following alignment, the femur drill cap is fixed to the femur condyle cap with the holding clamp (16-3279/00). The femur condyle cap is fixed to the bone with two wire pins. The center sleeve and tapered reamer are removed. If necessary, the femur drill cap must also be removed temporarily and then reattached again.



35

The drill for femur $\text{\O} 20 \text{ mm}$ (16-3206/20) is inserted as far as stop.



36

After removing the holding clamp, the femur drill cap is removed, the saw attachment matching the selected prosthesis size (e.g. 16-3223/02) is attached and secured again with the holding clamp. The femur box is then prepared with an oscillating saw.

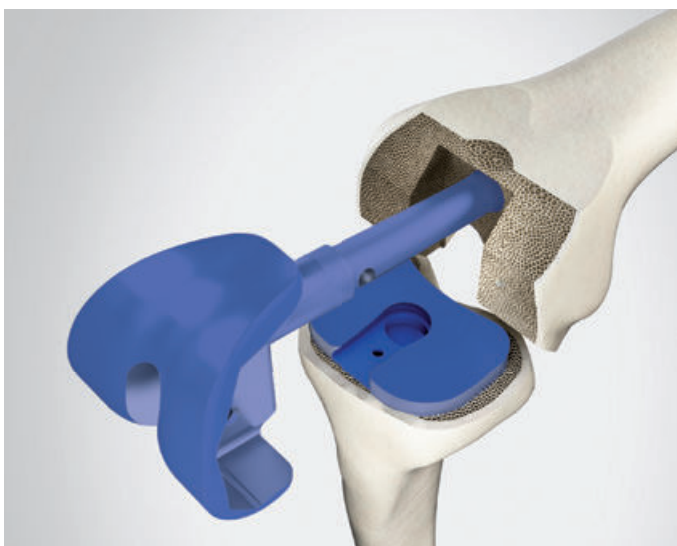
Sawblade depth:
 Small: 51 mm
 Medium: 54 mm
 Large: 57 mm



37
Preparation of distal femur is complete.



38
The tibial trial stem and tibial trial prosthesis are joined by screwing them together and inserted into the prepared tibia.



39
The femoral trial stem and femoral trial prosthesis are joined by screwing them together and inserted into the prepared femur.



40

Connect the two joint pieces by inserting the posterior recess of the trial axis onto the axis of the femoral component and then pushing the tibia up. Fix the screw with the hex screwdriver (64-8008/02).

Test the trial prosthesis. Deficits in the flexion and extension gap are compensated with femoral trial segments and/or tibial trial spacers. The components are separated by proceeding in reverse order.

INFORMATION:

A combination of several femoral segments or proximal tibial spacers is not allowed!



41

Remove the trial femoral and tibial components with the extraction instrument for trial prostheses (15-6061/00).

Assembling the Tibial Components



42

The tibial modular stems are fixed by means of a tapered connection on the tibial component. It should be ensured that the flanges of the prosthesis stems are inserted into the intended slots. The modular stem is then fixed to the tibial component with screw assembly. **Screws are only to be tightened hand-tight.**

INFORMATION:

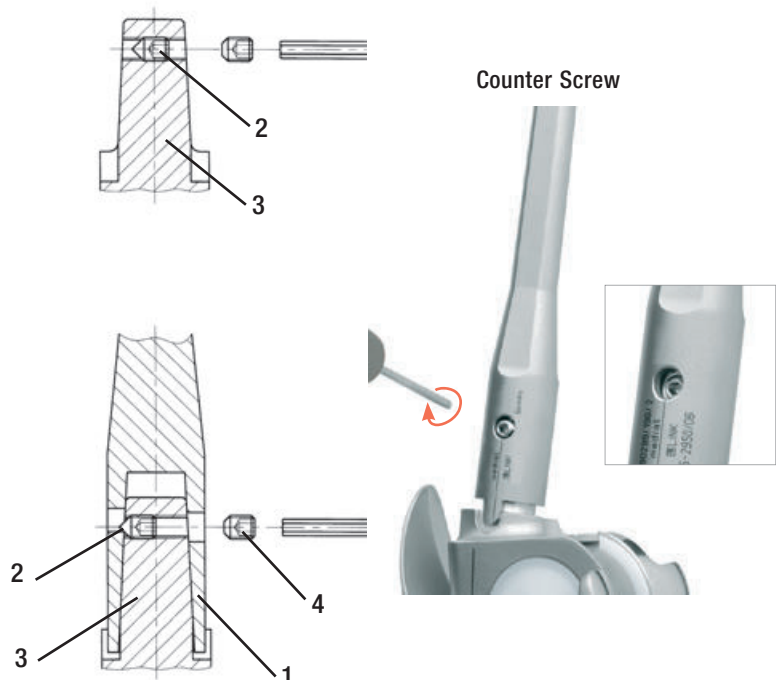
When using cemented modular stems or the monoblock tibial component, the use of centralizers is mandatory. They might not be part of the sterile package for tibial components 16-2817/02, /05 and /07 when indicated.

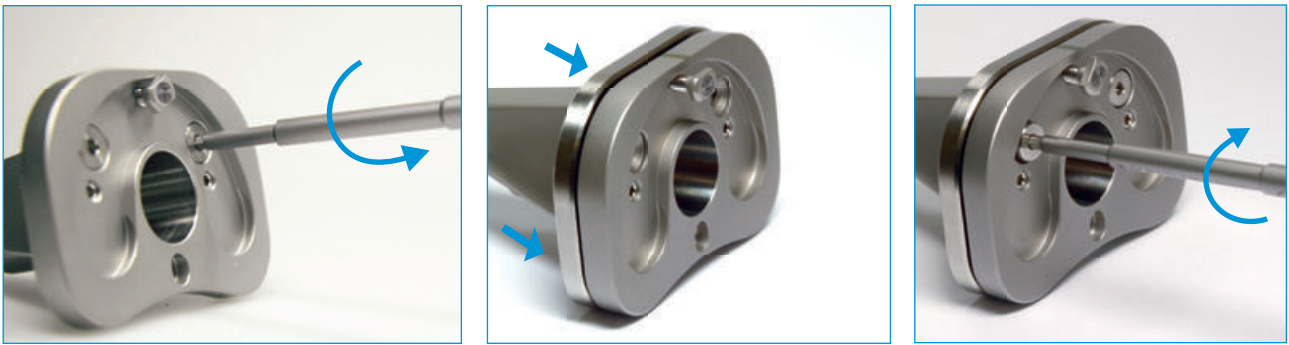
After the underside of the tibial prosthesis component has been coated with a thin layer of bone cement, the prosthesis is inserted into the tibia with the tibial grooved driver (16-0018/02).

By tightening the locking screw (2) located in the taper (3) of the tibial respectively femoral component its pointed tip presses the stem (1) firmly onto the taper. A counter screw (4) secures the stem locking screw against loosening. The screw fixation is performed medially. **Screws are only to be tightened hand-tight.**

INFORMATION:

The locking screw (optionally pre-assembled), the counter screw and one replacement screw each are included separately in the packaging.





When using a Tibial Spacer, assemble the Tibial Spacer before assembling the stem. The Proximal Tibial Spacers are available for each size in 5 mm, 10 mm and 15 mm, full and half.

CAUTION:

It is only allowed to combine the same designated sizes for Tibial Component and the Proximal Tibial Spacers. A size mismatch between these two final components is not permitted.

Proximal Tibial Spacer Assembly

Remove one (Half Spacer) or two (Full Spacer) Screws from the Tibial Plateaus, and put the Spacer under the implant. Screw in the final Screw, one (Half Spacer) or two (Full Spacer) to fix the Proximal Tibial Spacer on the Tibia. The final Screws are included in the package of the Proximal Tibial Spacer.

Optional: Cementing Technique for Proximal Tibial Spacers

The bone cement is prepared following the specific manufacturer's instructions. Put cement on the backside of the tibial component.



INFORMATION:

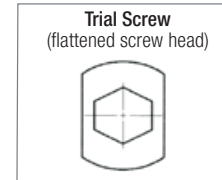
It has to be observed that a homogenous cement mantle between the Tilastan proximal spacer (full & half) and modular tibial component is ensured. The cement mantle should be 1-2 mm thick.

Remove all the extruded cement.



43

Until the bone cement has set, the trial screw remains in the prosthesis thread in order to protect it (excess bone cement is removed). After the bone cement has set, the plateau trial screw is removed with the hex screwdriver (64-8008/02).



The femoral prosthesis component coated with bone cement is placed on the femur and gently tapped home with the femoral grooved driver (317-646/01) until the implant fits snugly (excess bone cement is removed).

INFORMATION:

Bone cement must be used to fix femoral segments onto the intracondylar femoral components.



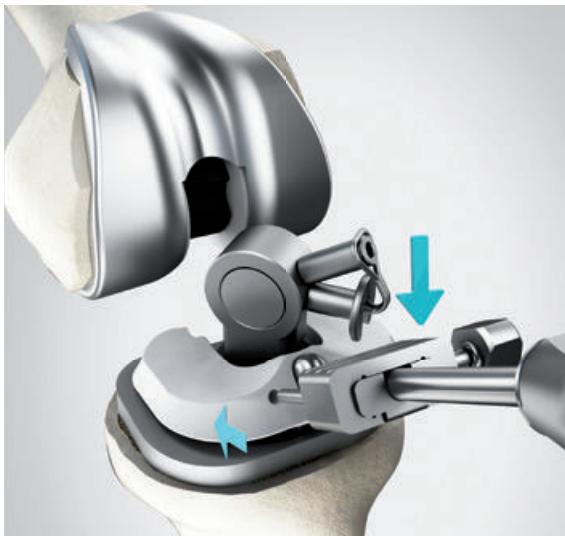
44

After the bone cement has set, the transport lock is removed by loosening the screw joint with the 2.5 mm hex screwdriver (10-5373/01) and withdrawing the lock with slight rotation.



The PE-plateau is connected to the inserter positioner (15-8035/03).

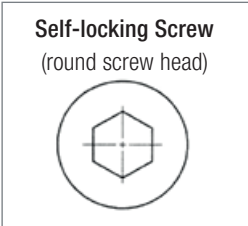
If required, the PE plateau can be inserted after the connection component (rotating version) has been assembled.



45

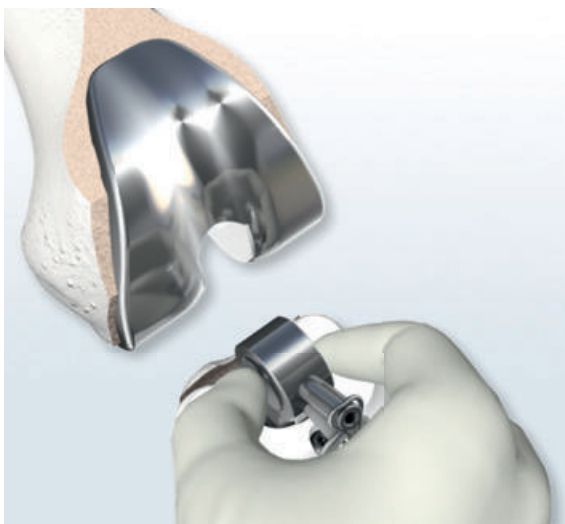
The connector with the rotation axis is put on the tibial component, and the PE plateau with the inserter positioner (15-8035/03) is then inserted and screwed on. The self-locking screw is screwed with the hex screwdriver (64-8008/02).

For easier access to the plateau self-locking fixation screw, the connector is rotated slightly.



CAUTION:

The self-locking fixation screw may only be used during the final assembly of the plateau. Loosening the fixation screw destroys the screw retention system in the polyethylene plateau, and a new plateau must then be inserted.



46

The axis of the connector is compressed to be flush with the bearing using the thumb and the index finger. The axis is held in place while the connector is inserted into the intracondylar slot of the femoral component.

The connector axis is released when the connector is inserted. To assist in alignment, the tibia is placed as far posteriorly as possible, relative to the femur. The connection component axis is inserted into the femoral component axis bushings by slightly lifting the connecting component and carefully moving the joint components.

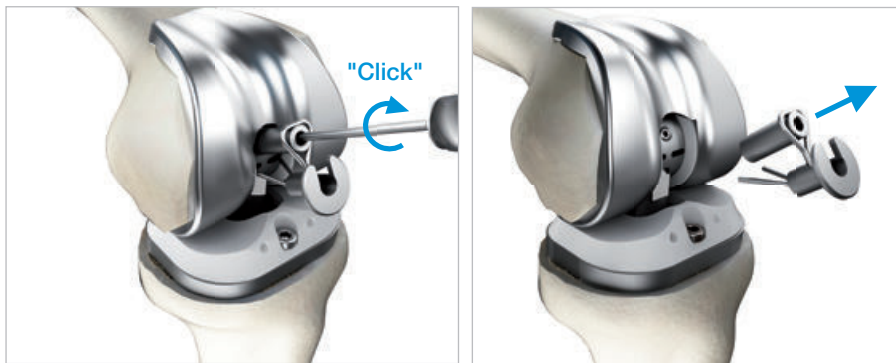


An audible "click" indicates that the connector axis has been successfully deployed into the rotational axis of the femoral component.



47

To fully deploy and lock the connection component axis, the U-shaped opening of the securing sleeve is rotated 180° until the opening faces upwards. The securing sleeve can then be pulled upwards along the spring wire, thereby unloading the spring so that it presses the axis halves of the connection component fully outwards. The prosthesis axis is inserted into the bushings accompanied by an audible “Click” by slightly lifting the connecting component and carefully moving the joint components. A 2-mm torque-limiting hex screwdriver (15-2546) must be used to tighten the securing screw, which is already in the sleeve.



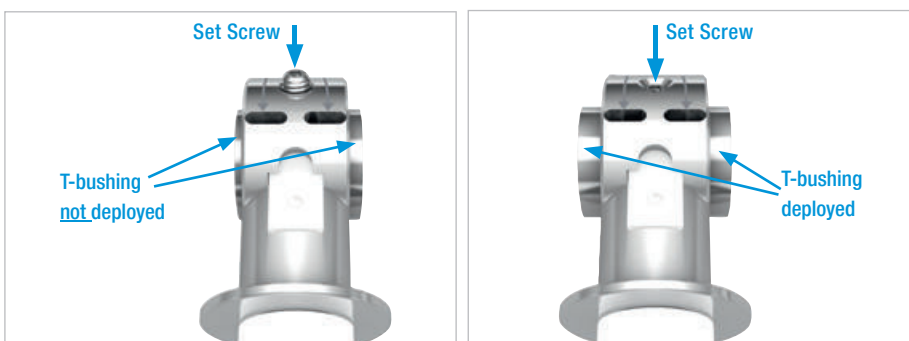
The screw must be tightened until an audible “Click” is heard that indicates that the required torque has been applied, locking the connection component in place.

Then the axis lock is removed.



48

When assembly is complete, the two drill holes in the prosthesis axis are located exactly under the arrow marks. Confirm that the set screw is slightly recessed. If it is not, remove the set screw, deploy the T-bushing with the connecting/disconnecting forceps (16-0020/02) to fully expand the connection component and reinsert the set screw. Using the provided 2-mm torque-limiting hex screwdriver (15-2546), tightening until an audible “click” indicates that the required torque has been applied. The screw must be fully recessed (flush or below flush) to ensure appropriate final locking of the connection component.





49

When assembly is complete, the two drill holes in the prosthesis axis are located exactly under the arrow marks. The PE plateau is then screwed home with the hex screwdriver (64-8008/02).

To remove the connection component, in the event of a revision, the securing screw is removed, the connecting/disconnecting forceps (16-0020/02) are inserted, and the prosthesis axis is squeezed together. Then the connection component can be decoupled ventrally.

Assembling the Connection Components – Pure Hinge



50

If the intention is to use a fixed hinged joint version, the two small screws in the tibial plateau must first be removed with the 2-mm torque-limiting hex screwdriver (15-2546).



The connector with hinge axis is placed on the tibial component. The connector is then screwed in place using the hex screwdriver (10-5373/01) and the PE plateau is inserted.



Proceed to step 46 for connection assembly.

Proximal Tibial Replacement



51

Resection of the proximal tibia at the planned level. Optional a support ring or terminal ring can be used (see page 56).



52

Mount the tapered reamer in the planned length (100 mm, 130 mm or 160 mm) in the T-handle (15-6053/00). When uncemented modular stems are used, ream with an increasing diameter until the tapered reamer makes cortical contact over a continuous distance of approx. 50 mm. The uncemented implant that will be used must correspond in length and diameter to the last tapered reamer used.

For cemented modular stems, the tapered reamer should be at least 2 mm larger than the planned stem diameter.

CAUTION:

Using the tapered reamers with a drive motor is not permitted.



53

When use of a recess ring is planned as a flat attachment of the extramedullary part of the implant to the bone, the tapered reamer is inserted deeply into the medullary canal until the cutting edges of the tapered reamer are at the same level as the resection level. The T-handle is removed and connected to the reamer Ø 46 mm (16-3205/30) (using power tool optional).



54

The resection surface is reamed flat with the reamer Ø 46 mm, which is guided by the shaft of the tapered reamer.



55

The reamer and tapered reamer are removed. The saw guide for notching can optionally be used to prepare the notches with an oscillating saw (see pages 40/41).



56

The tibial trial stem and tibial trial prosthesis for proximal tibial replacement are joined by screwing them together and inserted into the prepared tibia.



57

The femoral trial stem and femoral trial prosthesis are joined by thread attachment and inserted into the prepared femur.



58

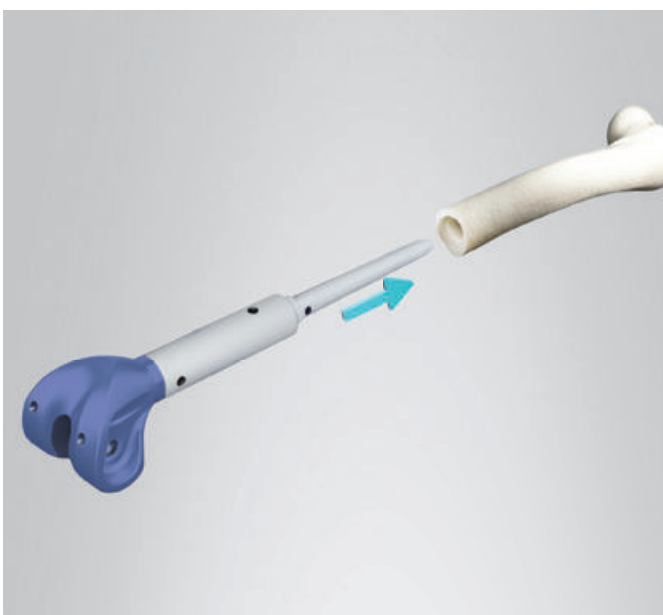
The femoral trial prosthesis is assembled, inserted and connected as described under “standard preparation of the femur”. By extending, flexing and rotating the treated limb, it is possible to estimate the leg length and degrees of rotation and flexion.

(Extended) Distal Femoral Replacement



59

Depending on the indication, the distal femoral replacement can be extended in 10 mm increments after an initial further resection of 30 mm. Bone preparation is performed as described above for proximal tibial replacement from resection to planning the resection surface.



60

In this situation, trial prostheses for stem segments (e.g. 16-3100/01) are assembled between the femoral trial stem and femoral trial prosthesis for distal femoral replacement. Depending on the resection length, different trial prostheses for stem segments can be combined together to represent the desired leg length.

When selecting the suitable size for the trial prosthesis (distal femur replacement) and the final implant, the maximum size of the implant component should be taken. Hereby, it is possible to avoid soft tissue atrophies which could complicate further revisions.

INFORMATION:

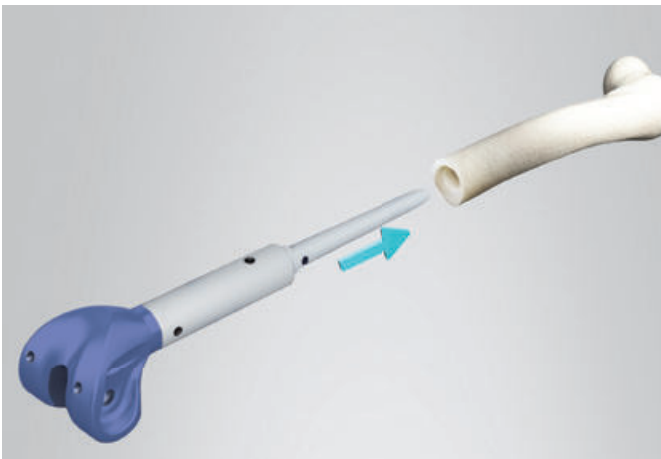
After positioning the support ring, the set screw must be fixed!

Bone Preparation: Without Using a Recess Ring (optional procedure)



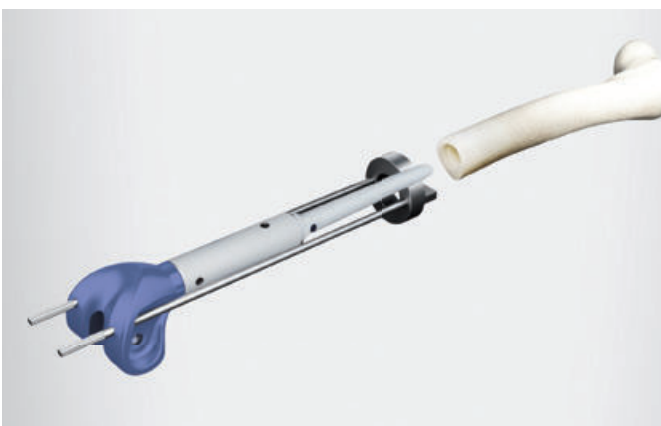
61

Resection of the bone to the desired level. The cutting edges of the tapered reamer are then inserted in the medullary canal 10 mm deeper than the resection level and the resection level is prepared with the step reamer (16-3204/18 up to a stem diameter of 18 mm, 16-3204/24 for 19 mm or more).



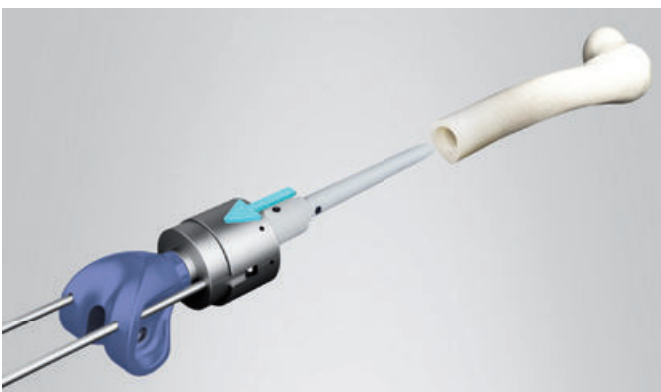
62

Assembling the selected femoral trial prostheses.



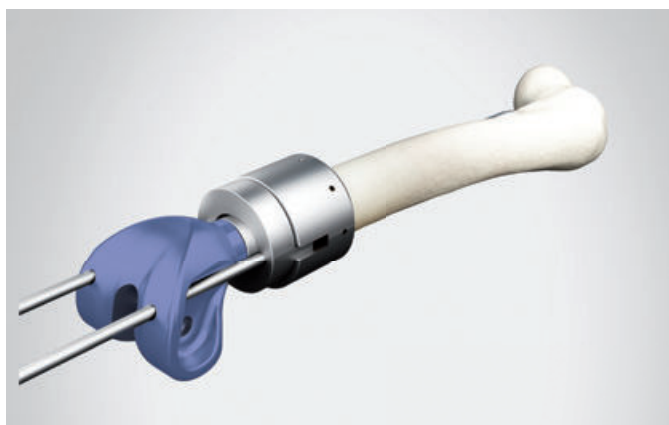
63

The two guide rods (16-3235/00) are screwed into the adapter ring (16-3236/00) and placed from proximal to distal (vice versa in the tibia) through the two holes of the trial joint component.



64

The saw guide for notching (16-3237/00) is placed on the adapter ring (16-3236/00) in such a way that the notch and spring engage.



65

The femoral trial prosthesis is inserted into the bone as far as its final position. It is essential to ensure correct rotational alignment of the trial prosthesis. The adapter ring must sit flush on the resection surface.



66

The saw guide for notching is fixed with two wire pins. The trial implant with the adapter ring is then removed.



67

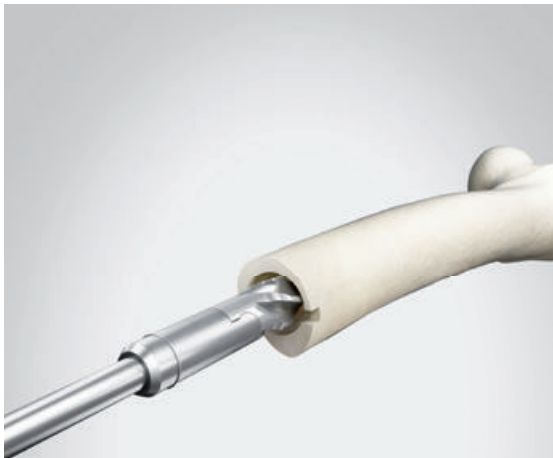
Preparing the notches with the oscillating saw.



68

Prepared notches.

Push-through Prosthesis



69

Prior to implantation of the push-through stems for total femoral replacement, the medullary cavity is reamed with ball reamers or flexible medullary reamers approx. 1 – 2 mm larger than the diameter of the selected prosthesis (available in 14 mm or 16 mm).

The length of the push-through prosthesis and the level of the femoral shaft resection should be chosen so that the sprocket for accepting the neck components is approximately 15 – 20 mm above the lesser trochanter. If necessary to adjust the length, this can be done by means of the proximal spacers (172-950/10, /20).

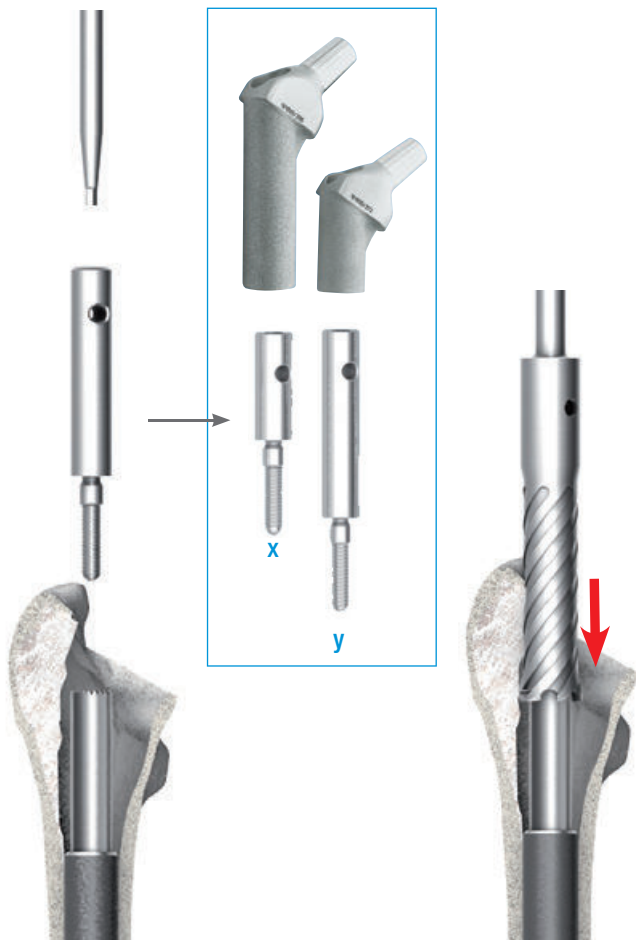


70

The push-through stems can be inserted directly with the femoral components as described in example 4 (see page 47) or as shown here, in combination with stem segments. The instruction for assembling the stem segments and modular stems is described on pages 94 ff. Fixation at the resection site is again optional (recess ring or notches).



The proximal part of the push-through prosthesis after implantation.



71

If required, a special tubular reamer (134-200/00) is used to prepare the implant bed for the neck segment (Fig. right).

There are two guides and stops available for positioning the reamer on the in-situ stem. Their length must be selected according to the neck segment being used (Fig. left).

Short reamer guide --> long neck segment (x)
 Long reamer guide --> short neck segment (y)

The reamer guide can be screwed into the stem by hand or using the hex screwdriver (64-8008/02).

The reamer guide also serves as a stop to avoid the teeth of the tubular reamer (134-200/00) from coming into contact with the edge of the lower portion of the stem.

Irrigation is recommended to avoid overheating of the bone.



72

With the tubular reamer (134-200/00) the implant bed is prepared for the neck component.



The selected neck component is then pushed on the sprocket of the push-through stem, the desired anteversion is obtained and the neck component is fixed with the trial fixation screw (134-100/41 or /61) using the hex screwdriver (64-8008/02).

73

The guide rod (**G** 134-201/00), which simplifies positioning of the trial neck segment (**H**) and, where used, the trial proximal spacers, is screwed into the thread of the implanted stem and fixed in place using a hex screwdriver (64-8008/02) (Fig. 01).

For the functional test, a trial neck segment (**H**) is mounted on the inserter positioner (**I** 131-379/00), then pushed over the guide rod (**G**) and onto the implanted prosthesis stem. The teeth inside the trial neck segment must fit into the tothing on the stem.

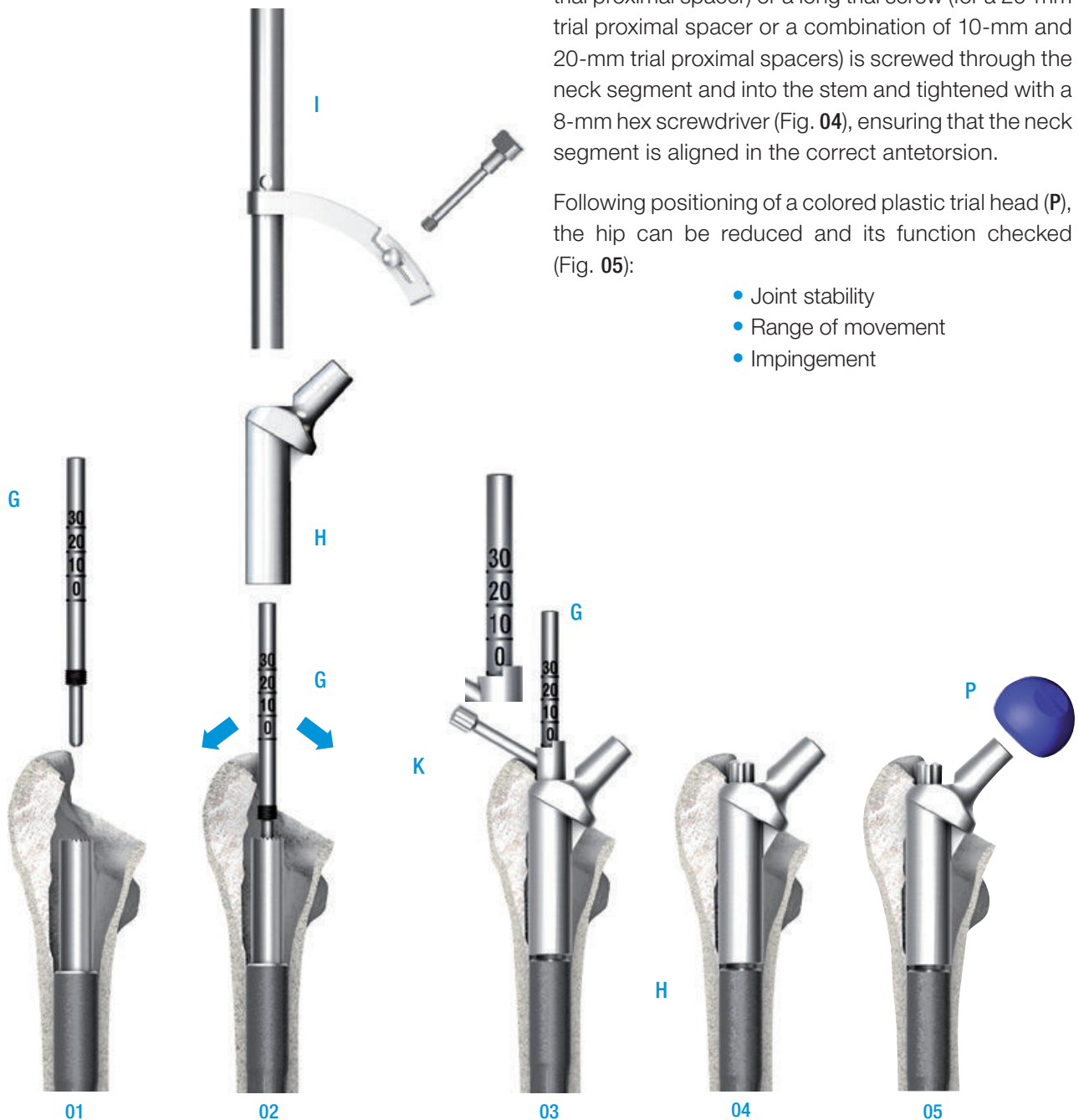
The trial neck segment can be simply tested by turning it backward and forward (Fig. 02).

The secure seating should be checked with the go/no go guide (**K** 134-202/00), which is placed on the trial neck segment (**H**). The connection is secure if – when no trial proximal spacers are used – the “0” gauge mark on the scale of the guide rod is visible in the recess on the go/no go guide. The same applies accordingly for the “10” gauge mark when a 10 mm trial proximal spacer is used (Fig. 03).

The go/no go guide and the guide rod are removed once the trial neck segment is in position. Depending on whether/which trial proximal spacers are used, a short trial screw (for no trial proximal spacer or a 10-mm trial proximal spacer) or a long trial screw (for a 20-mm trial proximal spacer or a combination of 10-mm and 20-mm trial proximal spacers) is screwed through the neck segment and into the stem and tightened with a 8-mm hex screwdriver (Fig. 04), ensuring that the neck segment is aligned in the correct antetorsion.

Following positioning of a colored plastic trial head (**P**), the hip can be reduced and its function checked (Fig. 05):

- Joint stability
- Range of movement
- Impingement





74

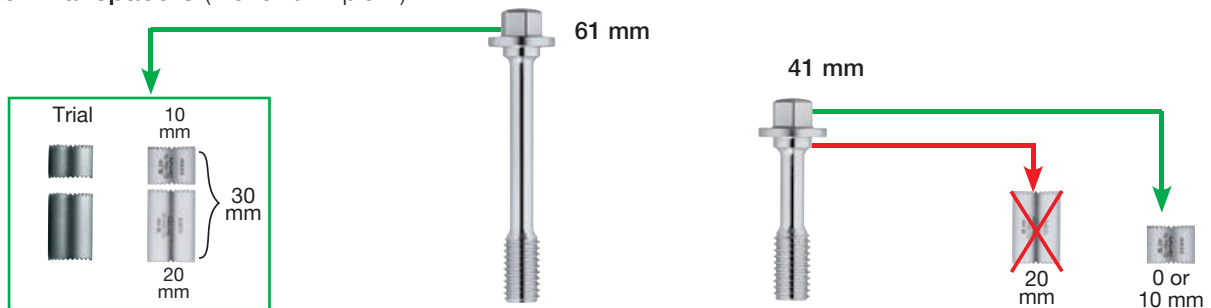
Colored plastic trial heads (175-928/11-14, 175-932/11-14, 175-936/11-14) in diameters 28 mm, 32 mm or 36 mm and neck lengths short, medium, long and extra long are used for trial reduction.

If leg lengthening is necessary, proximal spacers can be used in the illustrated combination (see following images) when using neck components with a length of 65 mm. Trial proximal spacers (131-398/10 or /20) are available for trial reduction.

75

Expansion bolts (implant)

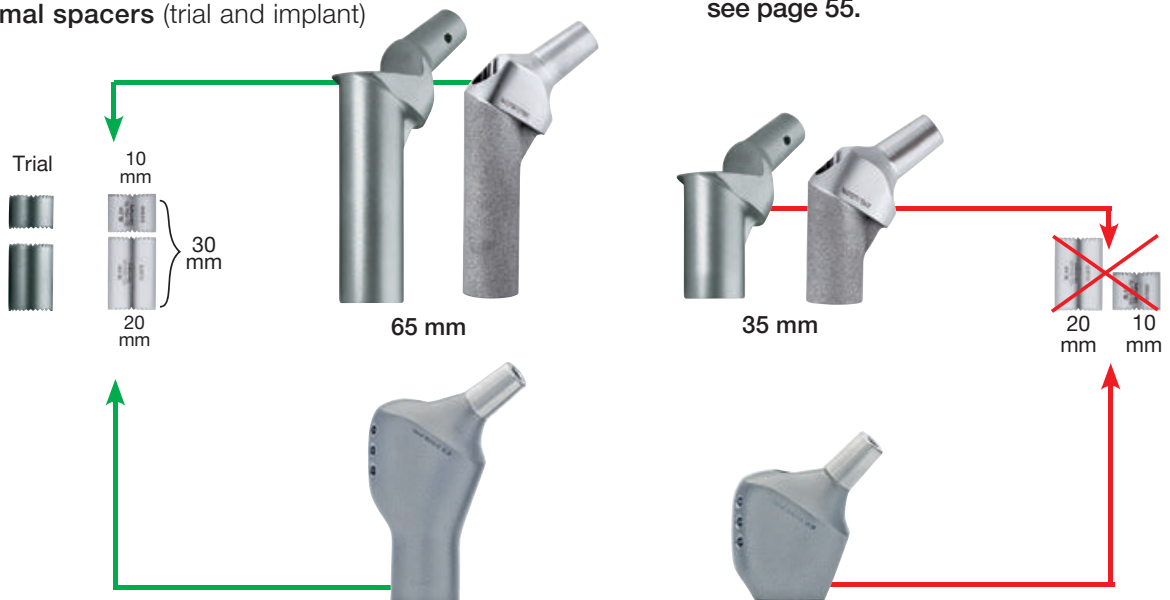
Proximal spacers (trial and implant)



76

Neck components (trial and implant)

Proximal spacers (trial and implant)



Notice:

Overview of the combination possibilities see page 55.

INFORMATION:

- Only the 65-mm neck segment may be used in combination with proximal spacers.
- A 35-mm neck segment may only be used without proximal spacers.

- Use of the short screw:

No proximal spacer or 10-mm proximal spacer.

- Use of the long screw:

A 20-mm proximal spacer or a combination of 10-mm and 20-mm proximal spacer (30 mm in total).

77

After final leg length, anteversion and joint stability are checked, the trial prostheses are removed. To assemble the final MP neck segment the same procedure should be used as for the trial prostheses. The guide rod (G) is screwed onto the stem again (Fig. 07). The neck segment and proximal spacers (if used) are placed over the guide rod (G) (134-201/00) onto the stem using the inserter positioner (131-379/00) (Fig. 06). A marking made on the bone during the trial run is used to align the neck segment in the correct antetorsion position. The secure seating of the neck segment is checked with the go/no go guide (K 134-202/00) in the same way as for the trial implant (Fig. 08). The connection is secure if, when no proximal spacers are used, the “0” mark on the scale of the guide rod (G) is visible in the “window” of the go/no go guide. The “10”, “20”, or “30” scale marking must be visible when 10 mm, 20 mm, or a combination of 10 mm and 20 mm, proximal spacers are used.

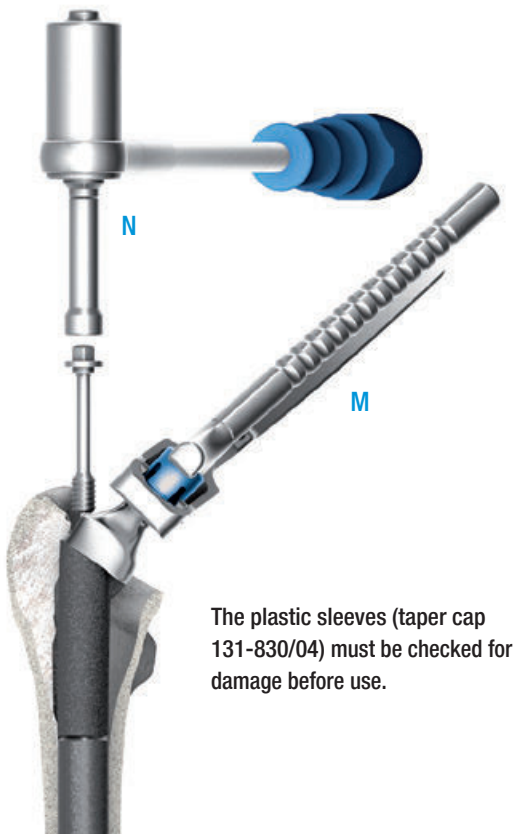


78

Expansion bolts (172-947/38 or /58) are used for finally joining the neck component to the push-through stems. The 8 mm hex screwdriver is used to screw the expansion bolt in all the way and tighten it gently (Fig. 09).



With loss of the proximal femur, the push-through stems can be combined with the neck segments (massive). The correct position of the implant and fixation with expansion bolts are checked as described previously.

**79**

The stem, proximal spacers if used, and neck segment are connected with a short or long expansion bolt (172-947/38 or /58), depending on the selected neck segment length and the number of proximal spacers. The bolt fixes the MP neck segments or neck segments (massive) securely to the modular MEGASYSTEM-C components.

INFORMATION:

LINK implants and expansion bolts can only be used once. It is not possible to reuse them because no expansion occurs when the bolt is tightened a second time. The torque wrench (N 134-140/00) is supplied with a calibration certificate and separate instructions for use, and must be subjected to a functional test after 250 uses. To this end, the instrument should be sent to Waldemar Link GmbH & Co. KG. The torque wrench must never be used to loosen screw connections, as this could have a negative effect on its function.

CAUTION:

There are two screw lengths available:

- **Use of the short screw:**

No proximal spacer or 10-mm proximal spacer.

- **Use of the long screw:**

A 20-mm proximal spacer or a combination of 10-mm and 20-mm proximal spacer (30 mm in total).

**80**

The neck segment is then gripped by the taper using the insertion forceps (M 134-141/00) with the taper cap (131-830/04) and the expansion bolt is tightened using the torque wrench (N 134-140/00). The final prosthesis head is positioned on the carefully cleaned and dried taper of the neck segment and secured in place with a gentle blow on the impactor (130-600).

Proximal Femoral Replacement



81 Resection of the proximal femur at the planned site and preparation of the medullary cavity to accept the selected stem model as described under “Proximal Tibial Replacement”. Optional a support ring or terminal can be used (see page 58).

After implantation of the modular stem, attachment of stem segments is optional.



82 Attachment of the coupling component for proximal femur replacement, short or long (15-8522/28 or 15-8522/30).

Attachment of the neck segment (massive). Fix the implant as described under “Push-through Prosthesis”.



Total Femoral Replacement

The total femoral replacement is a combination of the previously described treatments:

- Proximal femoral replacement
- Optional push-through prosthesis or bone replacement with stem segments
- Distal femoral replacement or intracondylar joint component
- Proximal tibial replacement as needed

Intercalary Diaphyseal Reconstruction

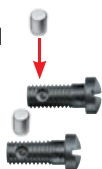


83 Resection of the femoral diaphysis at the planned sites and preparation of the medullary cavity to accept the selected modular stems as described under “Proximal Tibial Replacement”. Optional a support ring or terminal can be used (see page 58).

Situation after implantation of the interposition components. The two interposition components are joined with the aid of the cross slot screwdriver (16-3290/00) and enclosed screws.

The coupling is intended for diaphyseal replacement.

Note for lock bolts:
Beveled side is inserted first! One poly lock bolt **MUST** be used in each of the 2 cross slot screws.

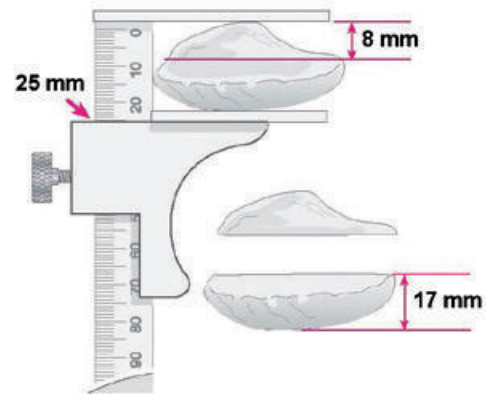


Optional: Patella Preparation (Patella Resurfacing)

The following operating instructions describe the use of the **LINK Patella Component** and assume the use of the instrument set available for this procedure. Both the “**resection**” of the patella surface technique and the “**reaming**” of the patella surface technique are shown.

Determination of Patella height/patella Resection

Using the townley femur caliper (65-2000) allows the height of the patella to be determined (1). The dimension is established and an amount corresponding to the size of the selected implant subtracted. The remainder equals the target dimension following resection. A minimal residual dimension of 12 mm should be maintained.



Example:

For a patella size 2 (patella diameter 28 mm), the following calculation is performed:

1. patella 25 mm thick,
2. resection 8 mm,
3. 17 mm remaining patella bone.

Patella size	Patella-Ø	Patella height
1	25 mm	7 mm
2	28 mm	8 mm
3	31 mm	9 mm
4	34 mm	10 mm

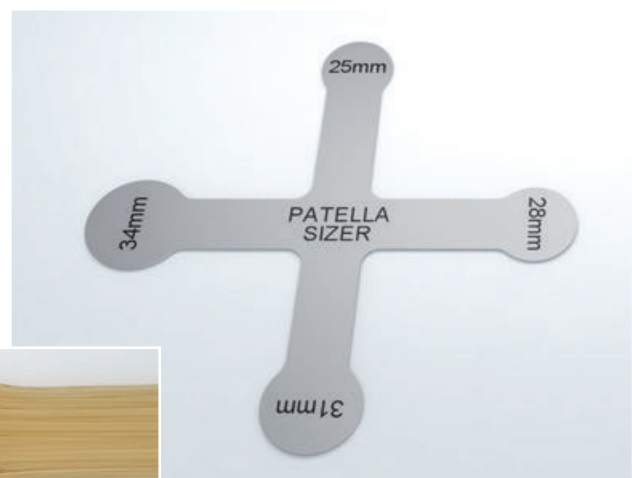
Preparation for Patella Component

The patella surface can be prepared using the onlay technique by resecting with an oscillating saw or by reaming.

Sizing

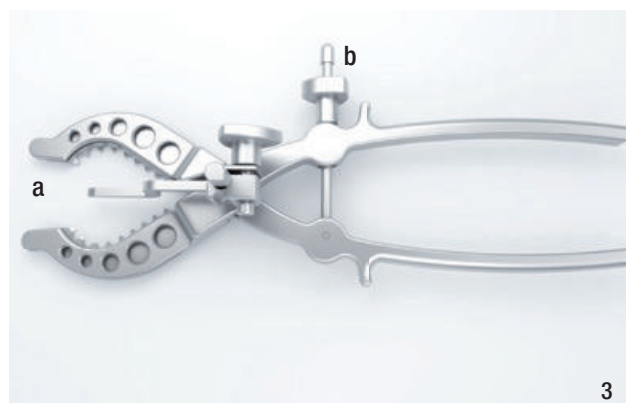
A patella sizing template (340-010) corresponding to the implants is available (2.1)

The template is selected that most adequately covers the articular surface without any overhang. If bone is deficient on the lateral side, the next smaller size is selected, but positioned slightly to the medial side to enhance patellar tracking (2.2).

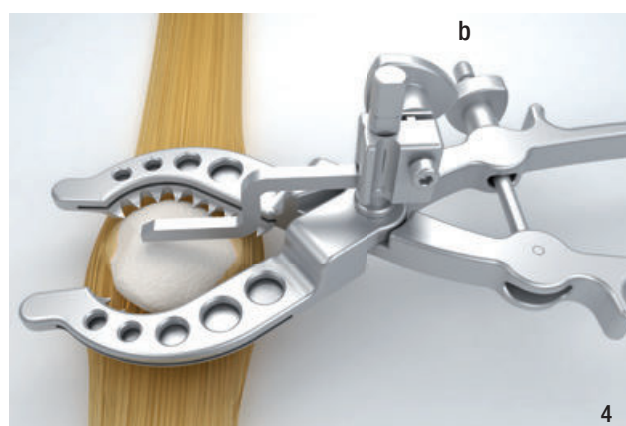


Option: Resection

The height of the bone to be resected can be adjusted using the height stylus (a) on the patella resection clamp (340-006) (3).



In doing this, it is important to ensure that the remaining patella is sufficiently thick. The patella is held using the toothed jaws. The sectional plane must lie parallel to the extended patellar tendon and the height calliper must lie on the bone. In order to clamp the patella firmly, the patella resection clamp (340-006) is compressed firmly and fixed using the lateral setting screw (b) (4).



The resection is carried out using an oscillating saw with a 1.27 mm thick sawblade. The saw is guided using the cutting slots of the patella resection clamp (340-006) (5).



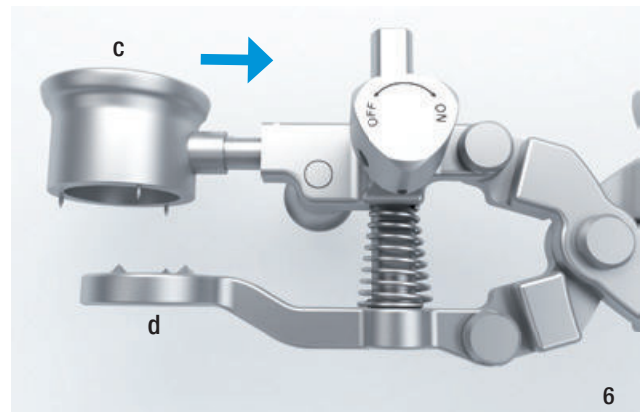
Option: Reaming

Reaming Preparation

The patella reaming guide (340-025 to 340-034) (c) of the appropriate size is inserted into the patella holding forceps (340-005) (d) (6).

INFORMATION:

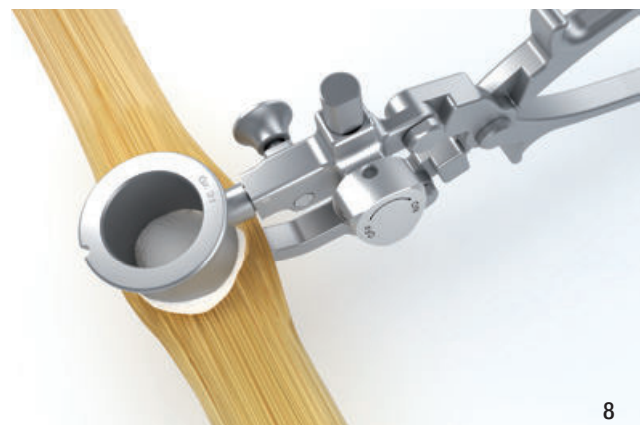
Press the button on the side to insert and remove the guide.



A ratchet can be activated on the patella holding forceps (340-005) with the retaining screw (e). By turning the screw to "ON" the forceps is held shut. By turning the screw to "OFF", the ratchet is re-leased (7).



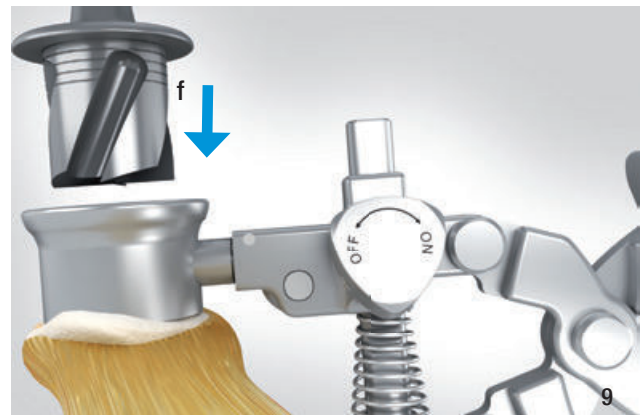
Following removal of the peripheral osteophytes, the patella is clamped with the patella holding forceps (340-005), aiming at the most central position possible (8). Good fixation is achieved when the spikes on the guide grip into the bone.



Reaming

The patella reamer is selected (f) to match the implant size which was previously determined and the corresponding reaming guide (9).

The patella reamer (340-125B to 340-134B) has a Hudson drill **B** connection for direct fixation with corresponding power tool connection. It is compatible with other machine systems by using an adapter for snap lock chuck.



The patella surface is prepared using the patella reamer (f). Reaming depth is verified by means of the mechanical stop on the reamer. In addition, there are marking grooves at 2 mm intervals. The maximum reaming depth is reached when the reamer collar makes contact with the reaming guide (10).



Fixation Hole Drilling

If the sawblade resection option is selected, the patella is to be fixed with the patella holding forceps (340-005) as follows:

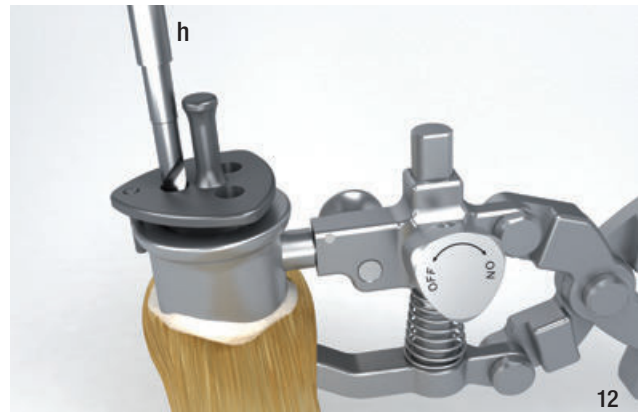
- Insert the patella reaming guide into the patella holding clamp,
- ratchet function “ON”,
- clamp the patella firmly.

Following description is for options „resection“ as well as „reaming“.

Insert the patella drill guide (340-225 to 340-234) (g) for the anchoring three holes which corresponds to the chosen implant size into the patella reaming guide (340-025 to 340-034) (11).

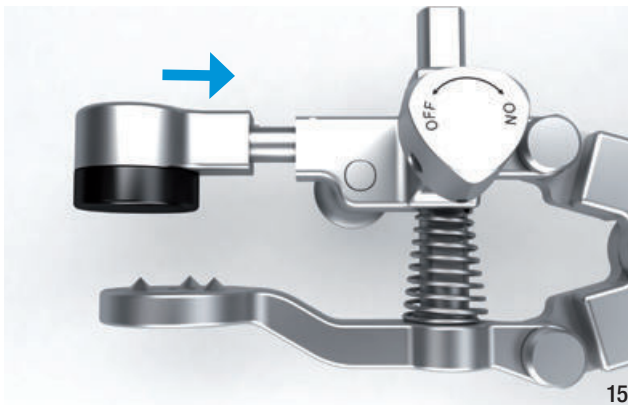
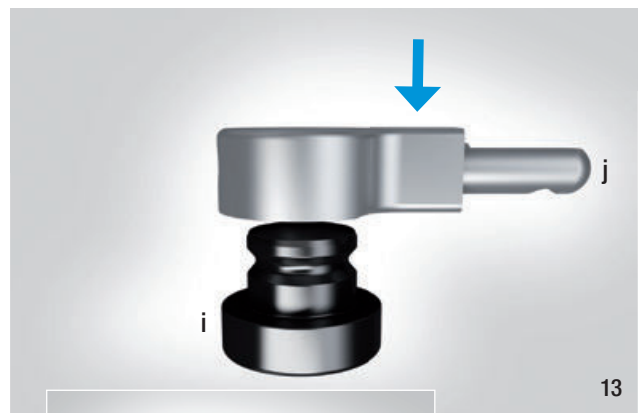


In doing so, ensure that the guide pin on the drill guide lies in the opening made for it in the reaming guide. Using the Ø 6.3 mm patella drill (340-306B) (h) three holes guided by the drill guide are drilled. The patella drill is inserted until stop (12).



Patella Implantation

The patella reaming guide is removed from the patella holding forceps (340-005). The patella pusher insert (340-009) (i) is pressed into the patella pusher attachment (340-007) (j) (13+14) and the pusher inserter is then inserted into the patella holding forceps (340-005) (15). Appropriate patella tracking can be assessed using patella trial prostheses (340-325 to 340-334).



Following extensive rinsing and removal of all impeding soft tissue, the bone cement is applied to the back of the implant, and the patella component is placed by hand and pressed on using the patella holding forceps (340-005) with the patella pusher insert (340-009) (16).



CAUTION:

Prepare the bone cement according to the manufacturer's instructions.

Ensure that excess bone cement is completely removed and that no loose particles of bone cement remain in the joint.

Joint Components Megasystem-C Tumor and Revision System

Neck Segments



MEGASYSTEM-C Neck Segments, massive

MAT Tilastan – S (Ti6Al4V), EndoDur – S (CoCrMo), Tilastan (Ti6Al4V)

REF	Length (L) mm	CCD angle
15-8503/35	65 long	135°
15-8503/26	65 long	126°
15-8504/35	35 short	135°
15-8504/26	35 short	126°

MP Reconstruction System Neck Segments, standard,

PoroLink, Taper 12/14, uncemented

MAT Tilastan (Ti6Al4V), Tilastan – S (Ti6Al4V), Endo-Dur – S (CoCrMo)



Offset = 29 mm REF	Length (L) mm	CCD angle	Offset mm
172-964/35	65	135°	29
172-964/26	65	126°	31
172-965/35	35	135°	29
172-965/26	35	126°	31

MP Reconstruction System Neck Segments XXL,

PoroLink, Taper 12/14, uncemented

MAT Tilastan (Ti6Al4V), Tilastan – S (Ti6Al4V), Endo-Dur – S (CoCrMo)



REF	Length (L) mm	CCD angle	Offset mm
172-984/35	65	135°	40
172-984/26	65	126°	40
172-985/35	35	135°	40
172-985/26	35	126°	40

MP Reconstruction System Neck Segments, standard,

PoroLink, Taper 12/14, uncemented

MAT Tilastan (Ti6Al4V), Tilastan – S (Ti6Al4V), Endo-Dur – S (CoCrMo)



REF	Length (L) mm	CCD angle	Offset mm
99-0984/30	65	126°	31
99-0984/32	35	126°	31

MP Reconstruction System Neck Segments XXL, standard,

PoroLink, Taper 12/14, uncemented

MAT Tilastan (Ti6Al4V), Tilastan – S (Ti6Al4V), Endo-Dur – S (CoCrMo)



REF	Length (L) mm	CCD angle	Offset mm
99-0984/26	65	126°	40
99-0984/28	35	126°	40

Proximal Spacers and Expansion Bolts

MP Reconstruction System Spacers

MAT EndoDur – S (CoCrMo)

REF	Length (L) mm
172-950/10	10
172-950/20	20



MP Reconstruction System Expansion Bolts,

hex 8 mm

MAT EndoDur – S (CoCrMo)

REF	Length (L) mm
172-947/38	41
172-947/58	61



Possible Combinations:

Neck Segments Length mm	Spacers		Extension mm	Expansion Bolt Length mm
	10 mm	20 mm		
65	–	–	0	41
65	10	–	10	41
65	–	20	20	61
65	10	20	30	61
35 ¹⁾	–	–	-	41

1) Combination with proximal spacer(s) not possible.



Prosthesis Heads

Prosthesis Heads A, Ceramic

Taper 12/14 mm



Biolox delta* - Ceramic



LINK CeraDur - Ceramic

Head-Ø mm	MAT Biolox delta* (Zirconia Toughened Alumina)	MAT LINK CeraDur (Zirconia Toughened Alumina)	Neck Length
	REF	REF	
28	128-791/01	198-791/01	S (-3.5 mm)
28	128-791/02	198-791/02	M (0 mm)
28	128-791/03	198-791/03	L (+3.5 mm)
32	128-792/01	198-792/01	S (-4 mm)
32	128-792/02	198-792/02	M (0 mm)
32	128-792/03	198-792/03	L (+4 mm)
32	128-792/04	198-792/04	XL (+7 mm)
36	128-793/01	198-793/01	S (-4 mm)
36	128-793/02	198-793/02	M (0 mm)
36	128-793/03	198-793/03	L (+4 mm)
36	128-793/04	198-793/04	XL (+8 mm)

(S) short (M) medium (L) long (XL) extra long

* BIOLOX® delta is a product from CeramTec GmbH, Plochingen, Germany

CAUTION:

Ceramic Inserts out of Biolox delta* must only be combined with Biolox delta* Prosthesis Heads.

CAUTION:

Ceramic Inserts out of LINK CeraDur must only be combined with LINK CeraDur Prosthesis Heads.

Prosthesis Heads B, Metal (CoCrMo)

Taper 12/14 mm



CoCrMo - alloy



LINK Prosthesis Heads

Head-Ø mm	MAT Endo-Dur-S (CoCrMo)	MAT Endo-Dur-S (CoCrMo)	Neck Length
	REF	REF	
28	128-828/01	198-828/01	S (-3.5 mm)
28	128-828/02	198-828/02	M (0 mm)
28	128-828/03	198-828/03	L (+3.5 mm)
28		198-828/04	XL (+7 mm)
28	128-828/04		XL (+10.5 mm)
28		198-828/05	XXL (+10.5 mm)
32	128-832/01	198-832/01	S (-4 mm)
32	128-832/02	198-832/02	M (0 mm)
32	128-832/03	198-832/03	L (+4 mm)
32	128-832/04	198-832/04	XL (+8.5 mm)
36	128-836/01	198-836/01	S (-4 mm)
36	128-836/02	198-836/02	M (0 mm)
36	128-836/03	198-836/03	L (+4 mm)
36	128-836/04	198-836/04	XL (+8 mm)

(S) short (M) medium (L) long (XL) extra long (XXL) extra extra long

Stem Components

Push-through Stems for total femur replacement, uncemented
[MAT] Endo-Dur-S (CoCrMo), UHMWPE



REF	Ø mm	Length (L) mm
15-8523/70	14	120
15-8523/71	14	160
15-8523/72	14	200
15-8523/73	14	240
15-8523/74	14	280
15-8523/75	14	320
15-8523/76	14	360
15-8522/70	16	120
15-8522/71	16	160
15-8522/72	16	200
15-8522/73	16	240
15-8522/74	16	280
15-8522/75	16	320
15-8522/76	16	360

15-8522/65

Coupling for diaphyseal spacer, the coupling is only intended for diaphyseal replacement, L = 103 mm

[MAT] Endo-Dur-S (CoCrMo), Tilastan-S (Ti6Al4V), UHMWPE



Note for lock bolts:
 Bevelled side is inserted first!

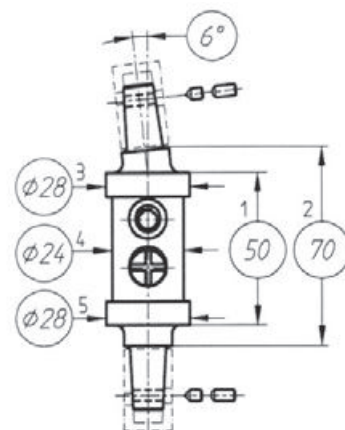
Further information can be found in the product-specific surgical technique for Endo-Model Knee Fusion Nail SK.



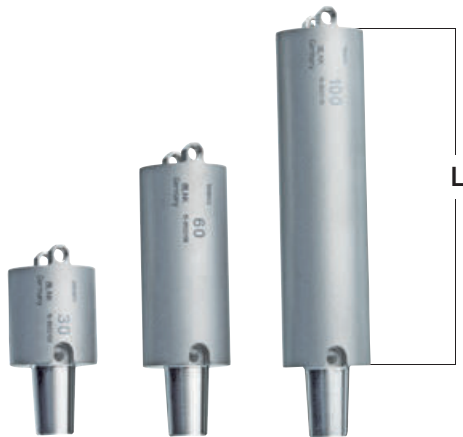
Endo-Model Knee Fusion Nail SK,
 coupling, modular, L = 50 mm, Taper 10/12,
 Total Length (TL) = 70 mm

[MAT] Endo-Dur-S (CoCrMo), UHMWPE

REF	Side
15-0028/07	left
15-0028/08	right



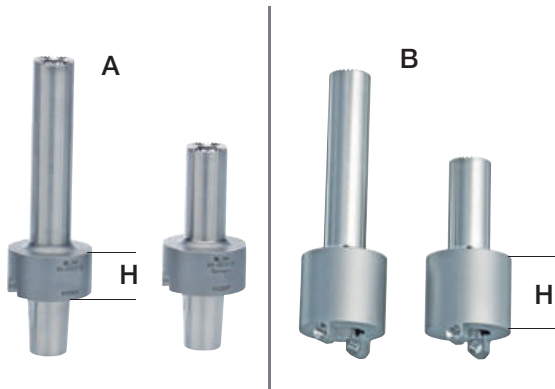
Stem Components



Stem Segments, Ø 28 mm

MAT Tilastan-S (Ti6Al4V), Endo-Dur-S (CoCrMo)

REF	Length (L) mm
15-8522/02	30
15-8522/04	40
15-8522/06	50
15-8522/08	60
15-8522/10	100
15-8522/12	150
15-8522/14	200
15-8522/16	250



Coupling Components for total femur (A) and proximal femur replacement (B), uncemented, Ø 28 mm

MAT Endo-Dur-S (CoCrMo)

REF	For Replacement:	Height (H) mm
15-8522/24	Total femur replacement (A) short	20
15-8522/26	Total femur replacement (A) long	20
15-8522/28	Proximal femur replacement (B) short	30
15-8522/30	Proximal femur replacement (B) long	30



Support Ring, Ø 28 mm

MAT Tilastan-S (Ti6Al4V), Endo-Dur-S (CoCrMo)

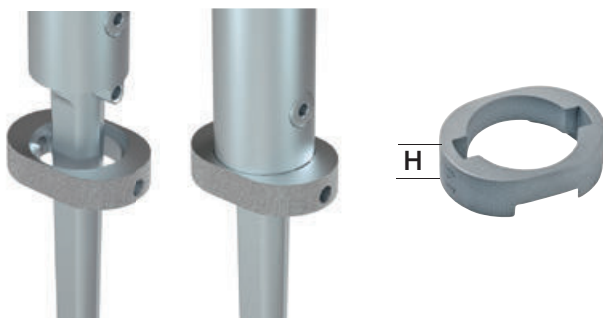
REF	For Stem-Ø mm	Height (H) mm
15-8502/66	up to Ø 18	10

Note:
After positioning the support ring, the set screw must be fixed!

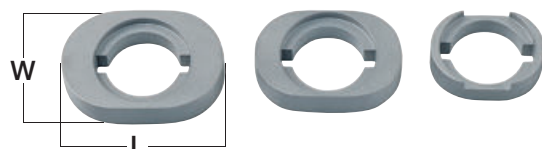
Terminals oval, height (H) 10 mm, uncemented, inner-Ø 24 mm

MAT Tilastan-S (Ti6Al4V)

REF	Dimensions (mm): Width (W) x Length (L)
15-8512/83	26 x 34
15-8512/84	30 x 44
15-8512/85	34 x 48



Note:
No set screw used!

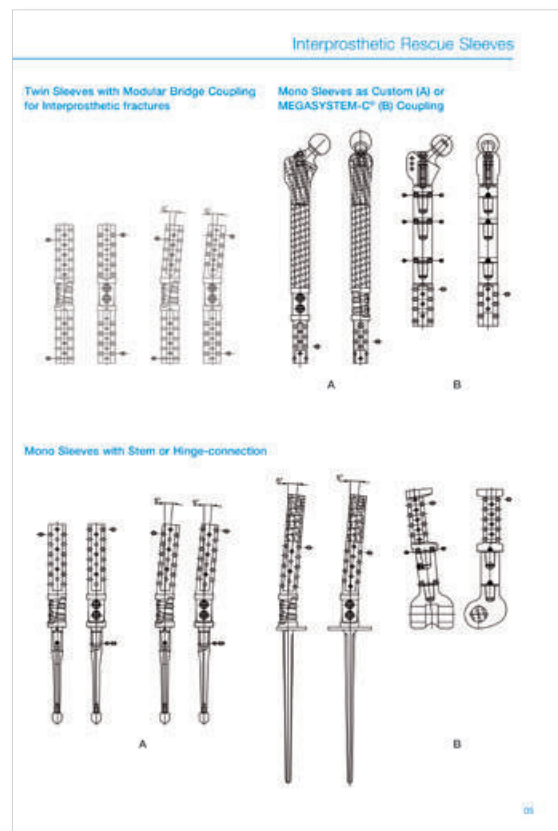


Interprosthetic Sleeves (RescueSleeve)

Custom-made prostheses



- Individually designed sleeves to connect a proximal and distal stem (twin sleeve)
- Proven^{6,7}, ultra-strong and compact LINK PocketBridget technology
- Safe stem fixation in bone cement
- A variety of designs for specific indications – stem anchoring or stem attachment MEGASYSTEM-C



⁶ Duda, Georg et al „Dynamic Examination of an Arthrodesis Nail's Taper Connection“, TU Hamburg/Harburg, Dept. of Biomechanics, Prof. Dr. E. Schneider, 02/94


⁷ Weiser, L. et al „Interposition sleeve as treatment option for interprosthetic fractures of the femur; a biomechanical in vitro assessment“, Intern. Orthop (SICOT), DOI 10.1007/s00264-015-2788-5

These implants are available as custom-made products.



Interprosthetic Sleeves (RescueSleeve)

Custom-made prostheses

 For more information please visit <https://customlink.solutions/>

Joint Components Endo-Model SL for Rotating and Pure Hinge Knee

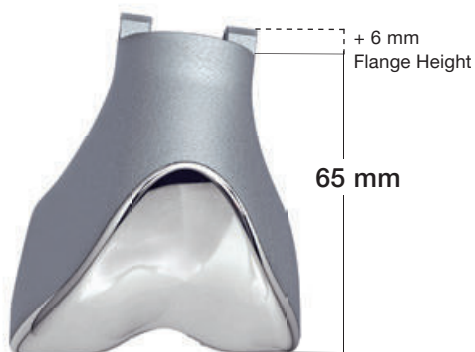
All size-specific implants for the Endo-Model SL only allow a combination of the same size (applies from page 58 to page 64)



Femoral Components, cemented, intracondylar
MAT EndoDur (CoCrMo), UHMWPE

REF	Size	Side	M/L Width (W) mm	A/P Depth (D) mm
16-2821/21	small (S)	right	63	57
16-2821/22	small (S)	left	63	57
16-2823/21	medium (M)	right	69	62
16-2823/22	medium (M)	left	69	62
16-2825/21	large (L)	right	72.5	65
16-2825/22	large (L)	left	72.5	65

Joint Components Endo-Model SL for Rotating and Pure Hinge Knee

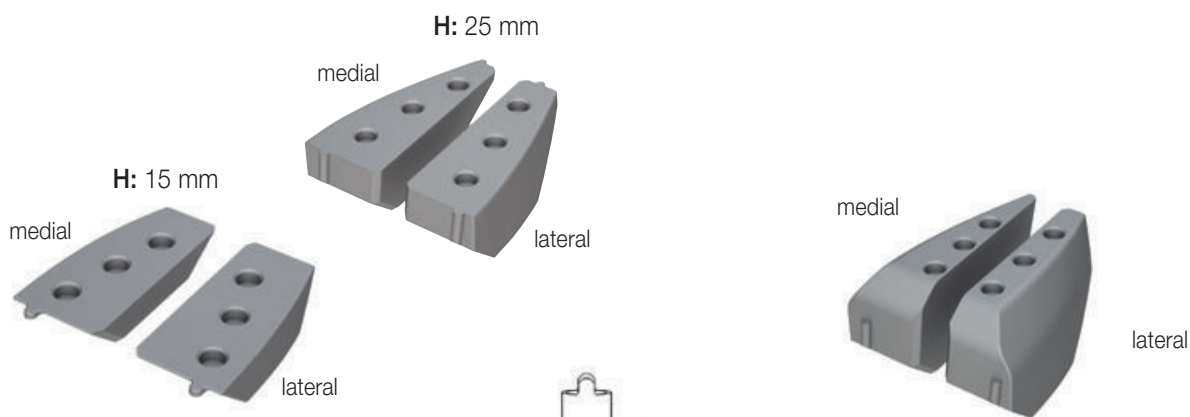


Distal Femoral Replacement Components, uncemented

MAT EndoDur (CoCrMo), EndoDur-S (CoCrMo), UHMWPE

REF	Size	Side	M/L Width (W) mm	A/P Depth (D) mm
16-2853/31	small (S)	right	60	57
16-2853/32	small (S)	left	60	57
16-2855/31	medium (M)	right	65	62
16-2855/32	medium (M)	left	65	62
16-2857/31	large (L)	right	75	65
16-2857/32	large (L)	left	75	65

Joint Components Endo-Model SL for Rotating and Pure Hinge Knee



Femoral Segments

for femoral components, uncemented (bone side), to replace distal condyles

MAT Tilastan-S (Ti6Al4V)

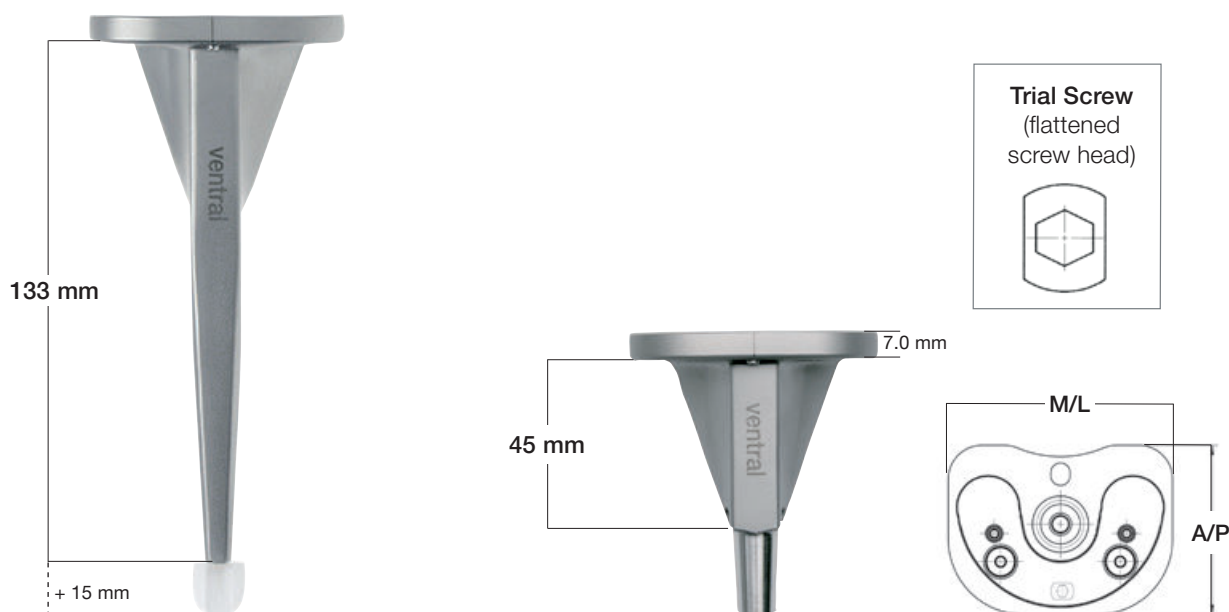
REF	h mm	Height (H) mm	Size	Side
15-8570/01	8	15	small (S)	right medial
15-8570/02	9	15	medium (M)	right medial
15-8570/03	7	15	large (L)	right medial
15-8570/11	8	15	small (S)	right lateral
15-8570/12	9	15	medium (M)	right lateral
15-8570/13	7	15	large (L)	right lateral
15-8571/01	8	15	small (S)	left medial
15-8571/02	9	15	medium (M)	left medial
15-8571/03	7	15	large (L)	left medial
15-8571/11	8	15	small (S)	left lateral
15-8571/12	9	15	medium (M)	left lateral
15-8571/13	7	15	large (L)	left lateral
15-8517/01	18	25	small (S)	right medial
15-8517/02	19	25	medium (M)	right medial
15-8517/03	17	25	large (L)	right medial
15-8517/11	18	25	small (S)	right lateral
15-8517/12	19	25	medium (M)	right lateral
15-8517/13	17	25	large (L)	right lateral
15-8518/01	18	25	small (S)	left medial
15-8518/02	19	25	medium (M)	left medial
15-8518/03	17	25	large (L)	left medial
15-8518/11	18	25	small (S)	left lateral
15-8518/12	19	25	medium (M)	left lateral
15-8518/13	17	25	large (L)	left lateral

Femoral Segments, full, uncemented (bone side), for femoral components, to replace distal condyles

MAT Tilastan-S (Ti6Al4V)

REF	Size	Side
15-8572/01	small (S)	right medial
15-8572/02	medium (M)	right medial
15-8572/03	large (L)	right medial
15-8572/11	small (S)	right lateral
15-8572/12	medium (M)	right lateral
15-8572/13	arge (L)	right lateral
15-8573/01	small (S)	left medial
15-8573/02	medium (M)	left medial
15-8573/03	large (L)	left medial
15-8573/11	small (S)	left lateral
15-8573/12	medium (M)	left lateral
15-8573/13	arge (L)	left lateral

Joint Components Endo-Model SL for Rotating and Pure Hinge Knee



Tibial Components, cemented, standard

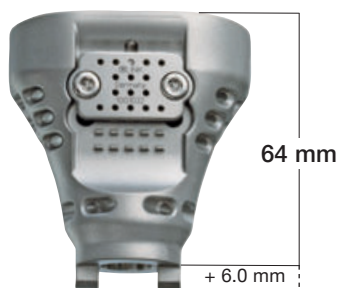
MAT EndoDur (CoCrMo), EndoDur-S (CoCrMo), Tilastan-S (Ti6Al4V)

REF	Size	M/L Width (W) mm	A/P Depth (D) mm
16-2817/02	small (S)	60	45
16-2817/05	medium (M)	65	45
16-2817/07	large (L)	75	48

Tibial Components, cemented, modular

MAT EndoDur (CoCrMo), EndoDur-S (CoCrMo), Tilastan-S (Ti6Al4V)

REF	Size	M/L Width (W) mm	A/P Depth (D) mm
16-2817/32	small (S)	60	45
16-2817/35	medium (M)	65	45
16-2817/37	large (L)	75	48

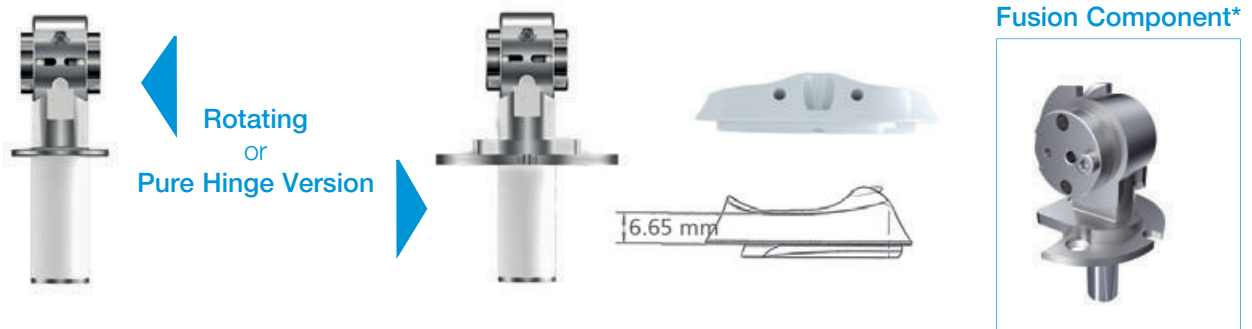


Proximal Tibial Replacement Components, uncemented, modular

MAT Tilastan-S (Ti6Al4V), EndoDur-S (CoCrMo)

REF	Size	M/L Width (W) mm	A/P Depth (D) mm
16-2849/22	small (S)	60	45
16-2849/25	medium (M)	65	45
16-2849/27	large (L)	75	48

Joint Components Endo-Model SL for Rotating and Pure Hinge Knee



Connection Components, incl. Tibial Plateau (UHMWPE)

REF	Rotating Hinge MAT EndoDur-S (CoCrMo) UHMWPE, CoNiCrMo	REF	Pure Hinge MAT EndoDur (CoCrMo), EndoDur-S (CoCrMo), UHMWPE, CoNiCrMo	Arthrodesis Fusion Version*
16-2840/02	small (S)	16-2841/02	small (S)	Knee fusion option for in-situ femoral and tibial components.
16-2840/05	medium (M)	16-2841/05	medium (M)	
16-2840/07	large (L)	16-2841/07	large (L)	

* only available as custom-made implant

Replacement Sets

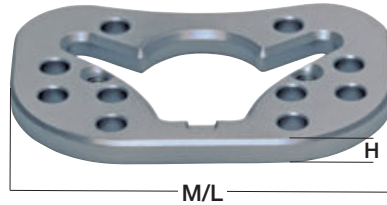
Replacement Set: Bearing Boxes

MAT UHMWPE

REF	Side	Size
16-2011/21	right	small
16-2011/22	left	small
16-2013/21	right	medium
16-2013/22	left	medium
16-2015/21	right	large
16-2015/22	left	large



Proximal Tibial Spacers for Endo-Model SL Rotating and Pure Hinge Knee



Proximal Tibial Spacers, full, neutral, uncemented, for right and left knees, incl. 2 countersunk screws, hex 2.5 mm

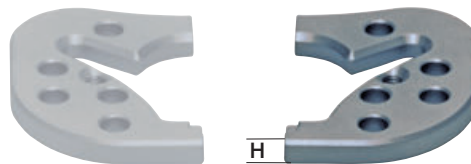
MAT Tilastan-S (Ti6Al4V)

REF	Size	Height (H) mm	M/L Width (W) mm
16-2910/05	small (S)	5	60
16-2910/10	small (S)	10	60
16-2910/15	small (S)	15	60
16-2920/05	medium (M)	5	65
16-2920/10	medium (M)	10	65
16-2920/15	medium (M)	15	65
16-2930/05	large (L)	5	75
16-2930/10	large (L)	10	75
16-2930/15	large (L)	15	75

Note:

Proximal tibial spacers may not be combined!

Proximal Tibial Spacers for Endo-Model SL Rotating and Pure Hinge Knee



Proximal Tibial Spacers, half,
 medial/lateral, uncemented, for right and left knees,
 incl. 1 countersunk screw, hex 2.5 mm

MAT Tilastan-S (Ti6Al4V)

REF	Size	Height (H) mm
16-2950/05	small (S)	5
16-2950/10	small (S)	10
16-2950/15	small (S)	15
16-2960/05	medium (M)	5
16-2960/10	medium (M)	10
16-2960/15	medium (M)	15
16-2970/05	large (L)	5
16-2970/10	large (L)	10
16-2970/15	large (L)	15

Note:
**Proximal tibial spacers may not be combined
 with each other!**

Modular Stems with male taper

Modular Stems*, uncemented, conical, male taper

MAT Tilastan-S (Ti6Al4V)



Uncemented					
Length L = 100 mm REF	Ø mm	Length L = 130 mm REF	Ø mm	Length L = 160 mm REF	Ø mm
15-8524/50	12/09	15-8523/50	12/08	15-8522/50	12/07
15-8524/51	13/10	15-8523/51	13/09	15-8522/51	13/08
15-8524/52	14/11	15-8523/52	14/10	15-8522/52	14/09
15-8524/53	15/12	15-8523/53	15/11	15-8522/53	15/10
15-8524/54	16/13	15-8523/54	16/12	15-8522/54	16/11
15-8524/55	17/14	15-8523/55	17/13	15-8522/55	17/12
15-8524/56	18/15	15-8523/56	18/14	15-8522/56	18/13
15-8524/57	19/16	15-8523/57	19/15	15-8522/57	19/14
15-8524/58	20/17	15-8523/58	20/16	15-8522/58	20/15
15-8524/59	21/18	15-8523/59	21/17	15-8522/59	21/16
15-8524/60	22/19	15-8523/60	22/18	15-8522/60	22/17
15-8524/61	23/20	15-8523/61	23/19	15-8522/61	23/18
15-8524/62	24/21	15-8523/62	24/20	15-8522/62	24/19

Modular Stems*, cemented, conical, male taper

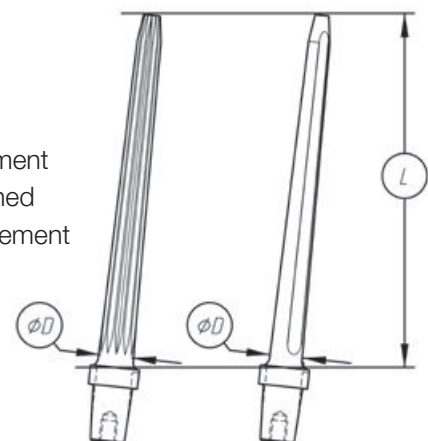
MAT EndoDur - S (CoCrMo)



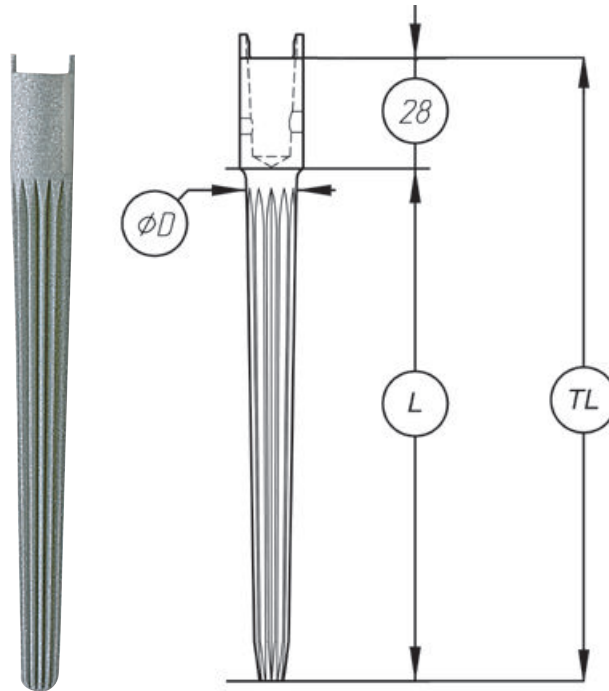
Cemented					
Length L = 100 mm REF	Ø mm	Length L = 130 mm REF	Ø mm	Length L = 160 mm REF	Ø mm
15-8524/40	12/09	15-8523/40	12/08	15-8522/40	12/07
15-8524/42	14/11	15-8523/42	14/10	15-8522/42	14/09
15-8524/44	16/13	15-8523/44	16/12	15-8522/44	16/11

* These modular stems can be combined with:

- Coupling Component for proximal femur replacement
- Neck Segment, massive, or stem segment attached to it to assemble an extended distal femur replacement
- Coupling for diaphyseal spacer
- Proximal Tibial Replacement Component



Modular Stems with female taper

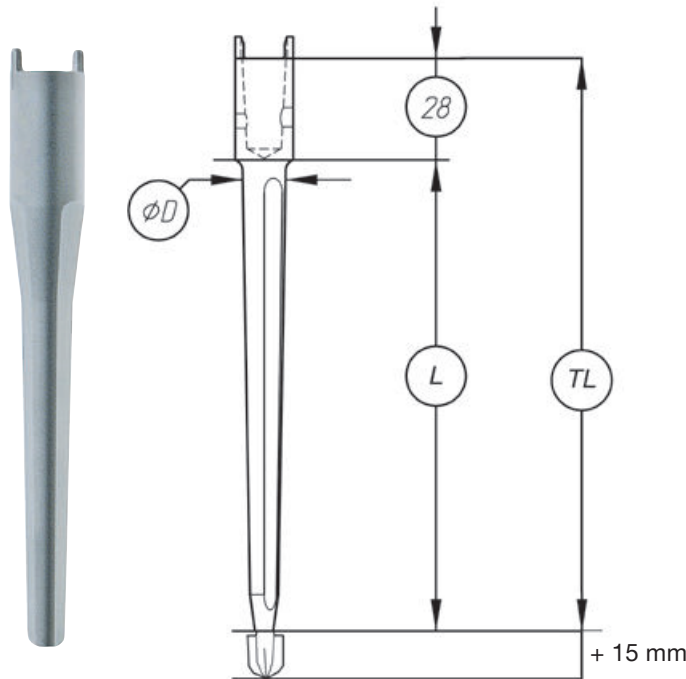


Modular Stems, uncemented, conical, female taper

MAT Tilastan-S (Ti6Al4V)

Uncemented					
Length L = 100 mm Total Length TL = 128 mm REF	Ø mm	Length L = 130 mm Total Length TL = 158 mm REF	Ø mm	Length L = 160 mm Total Length TL = 188 mm REF	Ø mm
15-8517/50	12/09	15-8516/50	12/08	15-8515/50	12/07
15-8517/51	13/10	15-8516/51	13/09	15-8515/51	13/08
15-8517/52	14/11	15-8516/52	14/10	15-8515/52	14/09
15-8517/53	15/12	15-8516/53	15/11	15-8515/53	15/10
15-8517/54	16/13	15-8516/54	16/12	15-8515/54	16/11
15-8517/55	17/14	15-8516/55	17/13	15-8515/55	17/12
15-8517/56	18/15	15-8516/56	18/14	15-8515/56	18/13

Modular Stems with female taper



Modular Stems*, cemented, conical, female taper

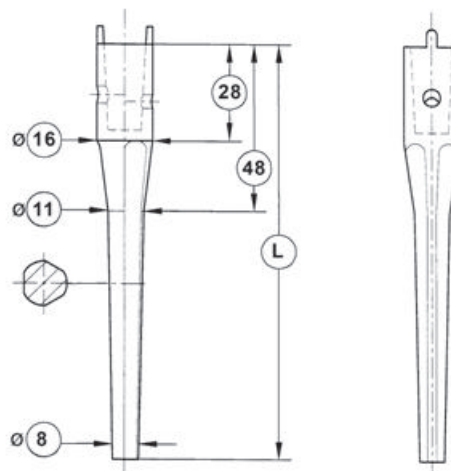
MAT EndoDur-S (CoCrMo)

Cemented					
Length L = 100 mm Total Length TL = 128 mm REF	\emptyset mm	Length L = 130 mm Total Length TL = 158 mm REF	\emptyset mm	Length L = 160 mm Total Length TL = 188 mm REF	\emptyset mm
15-8527/40	12/09	15-8526/40	12/08	15-8525/40	12/07
15-8527/42	14/11	15-8526/42	14/10	15-8525/42	14/09
15-8527/44	16/13	15-8526/44	16/12	15-8525/44	16/11

Modular Stems, short

MAT EndoDur-S (CoCrMo)

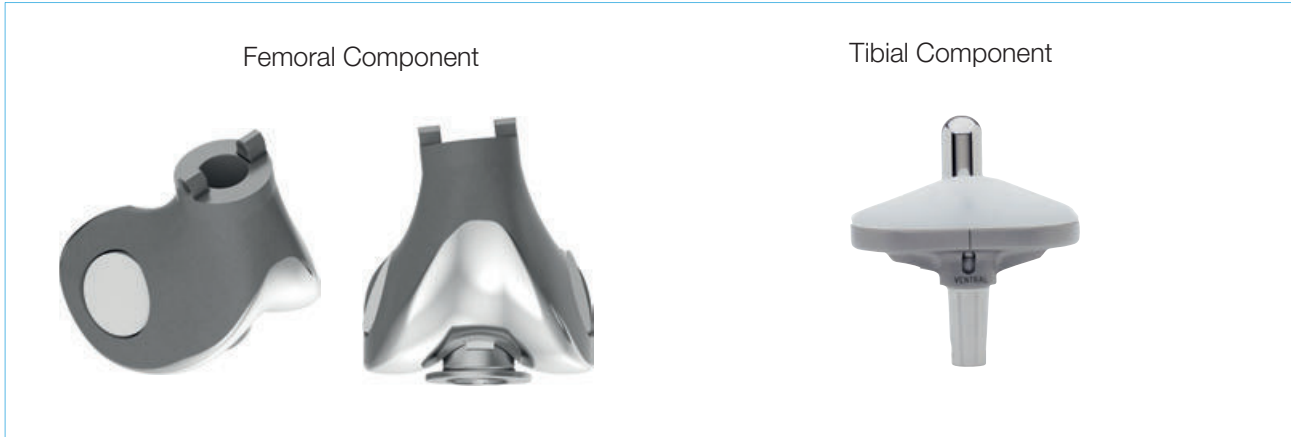
Cemented	
REF	Length (L) mm
15-2950/01	50
15-2950/02	80



LINK Endo-Model EVO – W with female taper

Total Condylar Replacement

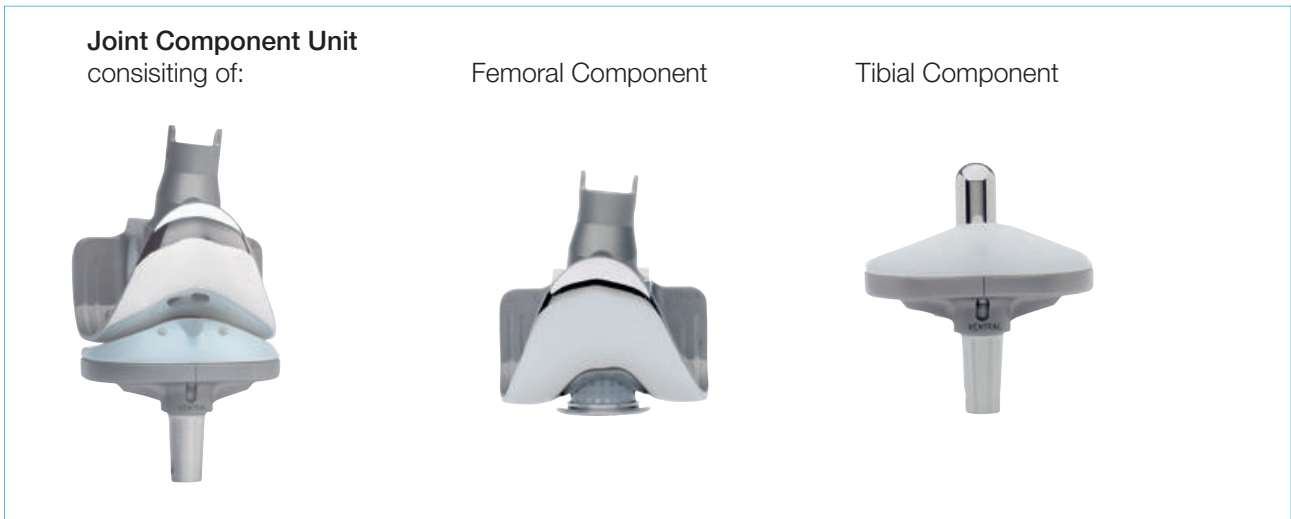
Rotating Version – slim, **MAT** EndoDur(CoCrMo), EndoDur–S (CoCrMo), UHMWPE, Tilastan–S (Ti6Al4V)



LINK MEGASYSTEM-C – Endo-Model Modular Joint Components with female taper

Intracondylar Version

Rotating Version, **MAT** EndoDur(CoCrMo), EndoDur–S (CoCrMo), UHMWPE, Tilastan–S (Ti6Al4V)



Endo-Model Modular Joint Component with female taper

Centralizers

Centralizers, cemented, height (H) = 15 mm

MAT UHMWPE

REF	Ø mm
15-2975/12	12
15-2975/14	14
15-2975/16	16

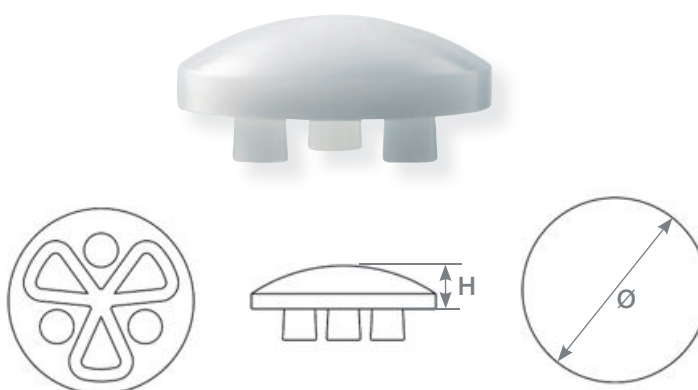


Patella Components

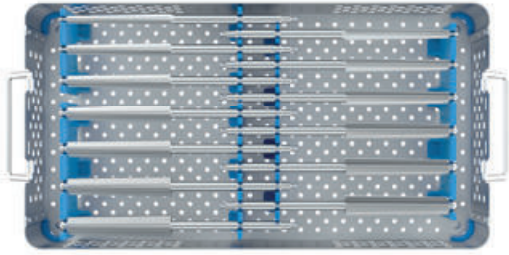
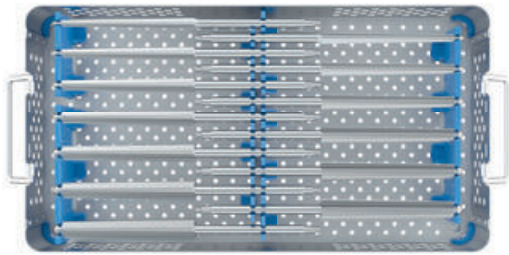

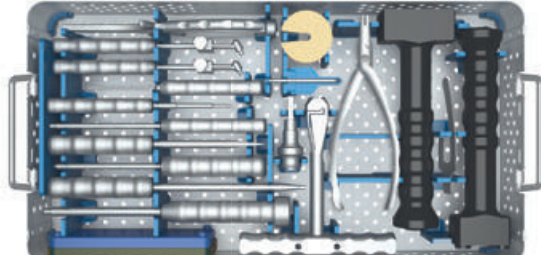
Patella Components, 3-pegs, cemented

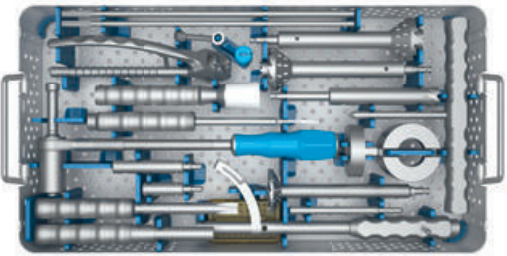
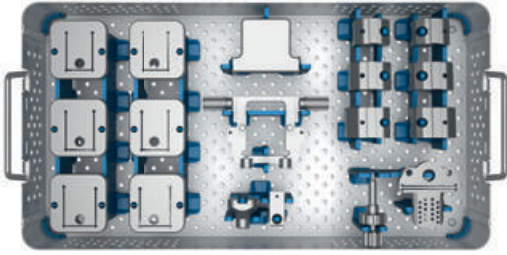
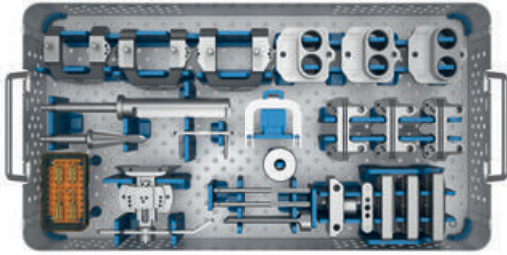
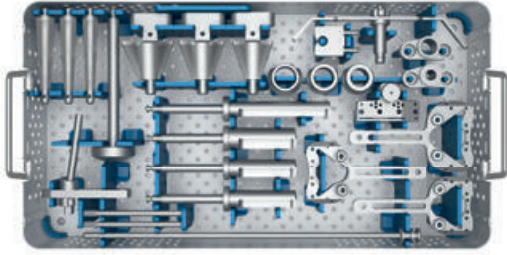
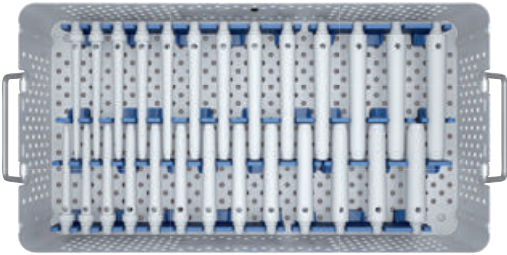
MAT UHMWPE

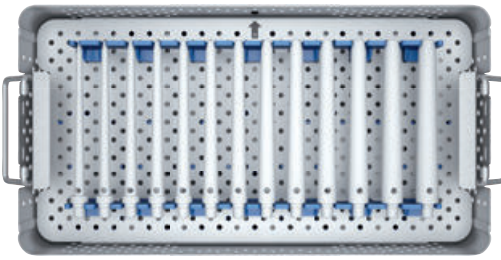
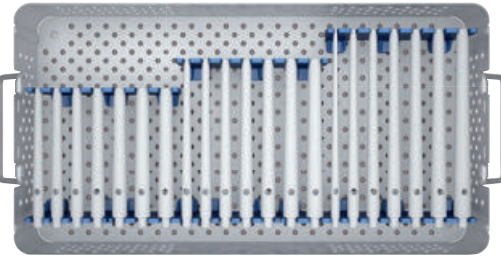
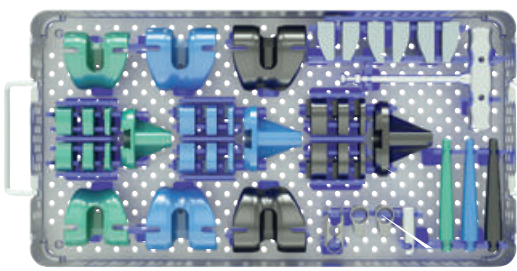
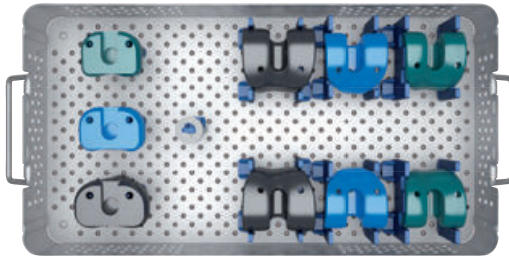
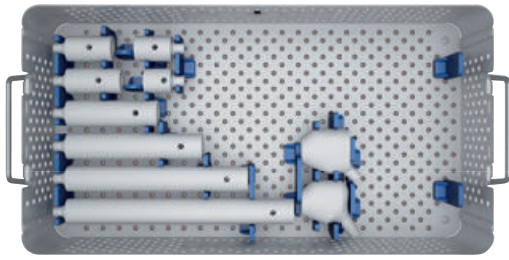
REF	Size	Ø mm	Height (H) mm
318-401/25	1	25	7
318-401/28	2	28	8
318-401/31	3	31	9
318-401/34	4	34	10

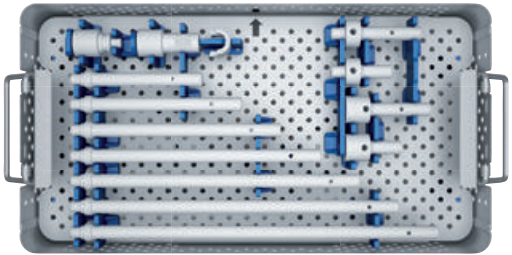
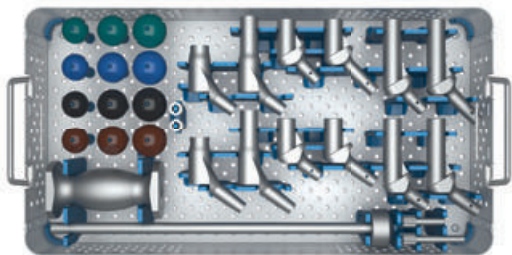
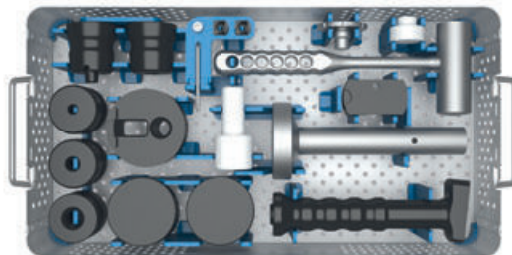


Overview Instrument Sets
for MEGASYSTEM-C

15-8710/02	Instrument Set	Tapered Reamers: 100 mm
consisting of: 15-8711/02	<p>Instrument Tray, Stainless Steel, empty, L = 478 mm, W = 253 mm, H = 76 mm</p> <p>Tray with detailed instruments, see page 74</p>	
15-8720/02	<p>Instrument Set</p>	<p>Tapered Reamers: 130 mm</p>
consisting of: 15-8721/02	<p>Instrument Tray, Stainless Steel, empty, L = 478 mm, W = 253 mm, H = 76 mm</p> <p>Tray with detailed instruments, see page 75</p>	
15-8730/02	<p>Instrument Set</p>	<p>Tapered Reamers: 160 mm</p>
consisting of: 15-8731/02	<p>Instrument Tray, Stainless Steel, empty, L = 478 mm, W = 253 mm, H = 76 mm</p> <p>Tray with detailed instruments, see page 76</p>	
15-8740/02	<p>Instrument Set</p>	<p>General Instruments I</p>
consisting of: 15-8741/02	<p>Instrument Tray, Stainless Steel, empty, L = 478 mm, W = 253 mm, H = 76 mm</p> <p>Tray with detailed instruments, see page 77</p>	

<p>15-8750/02</p>	<p>Instrument Set</p>	<p>General Instruments II</p>
<p>consisting of: 15-8751/02</p>	<p>Instrument Tray, Stainless Steel, empty, L = 478 mm, W = 253 mm, H = 76 mm</p> <p>Tray with detailed instruments, see page 78</p>	
<p>15-8760/02</p>	<p>Instrument Set</p>	<p>Femur I</p>
<p>consisting of: 15-8761/02</p>	<p>Instrument Tray, Stainless Steel, empty, L = 478 mm, W = 253 mm, H = 76 mm</p> <p>Tray with detailed instruments, see page 79</p>	
<p>15-8770/02</p>	<p>Instrument Set</p>	<p>Femur II</p>
<p>consisting of: 15-8771/02</p>	<p>Instrument Tray, Stainless Steel, empty, L = 478 mm, W = 253 mm, H = 76 mm</p> <p>Tray with detailed instruments, see page 80</p>	
<p>15-8780/02</p>	<p>Instrument Set</p>	<p>Tibia</p>
<p>consisting of: 15-8781/02</p>	<p>Instrument Tray, Stainless Steel, empty, L = 478 mm, W = 253 mm, H = 76 mm</p> <p>Tray with detailed instruments, see page 81</p>	
<p>15-8790/02</p>	<p>Instrument Set (1)</p>	<p>Trial Stems: Femur, 100 mm, 130 mm</p>
<p>consisting of: 15-8791/02</p>	<p>Instrument Tray, Stainless Steel, empty, lower L = 478 mm, W = 253 mmH = 106 mm</p> <p>Tray with detailed instruments, see page 82</p>	

<p>15-8790/02</p>	<p>Instrument Set (2)</p>	<p>Trial Stems: Femur, 160 mm</p>
<p>consisting of: 15-8791/02</p>	<p>Instrument Tray, Stainless Steel, empty, upper L = 478 mm, W = 253 mm, H = 106 mm</p> <p>Tray with detailed instruments, see page 83</p>	
<p>15-8810/02</p>	<p>Instrument Set</p>	<p>Trial Stems: Tibia, 100 mm, 130 mm, 160 mm</p>
<p>consisting of: 15-8811/02</p>	<p>Instrument Tray, Stainless Steel, empty, L = 478 mm, W = 253 mm, H = 76 mm</p> <p>Tray with detailed instruments, see page 84</p>	
<p>15-8820/03</p>	<p>Instrument Set</p>	<p>Trial Prostheses: Femur/Tibia, intracondylar</p>
<p>consisting of: 15-8821/03</p>	<p>Instrument Tray, Stainless Steel, empty, L = 478 mm, W = 253 mm, H = 76 mm</p> <p>Tray with detailed instruments, see page 85</p>	
<p>15-8840/03</p>	<p>Instrument Set</p>	<p>Trial Prostheses: Distal Femur and Proximal Tibial Replacement</p>
<p>consisting of: 15-8841/02</p>	<p>Instrument Tray, Stainless Steel, empty, L = 478 mm, W = 253 mm, H = 76 mm</p> <p>Tray with detailed instruments, see page 86</p>	
<p>15-8830/02</p>	<p>Instrument Set (1)</p>	<p>Trial Prostheses: Total Femur Replacement</p>
<p>consisting of: 15-8831/02</p>	<p>Instrument Tray, Stainless Steel, empty, lower L = 478 mm, W = 253 mm, H = 106 mm</p> <p>Tray with detailed instruments, see page 87</p>	

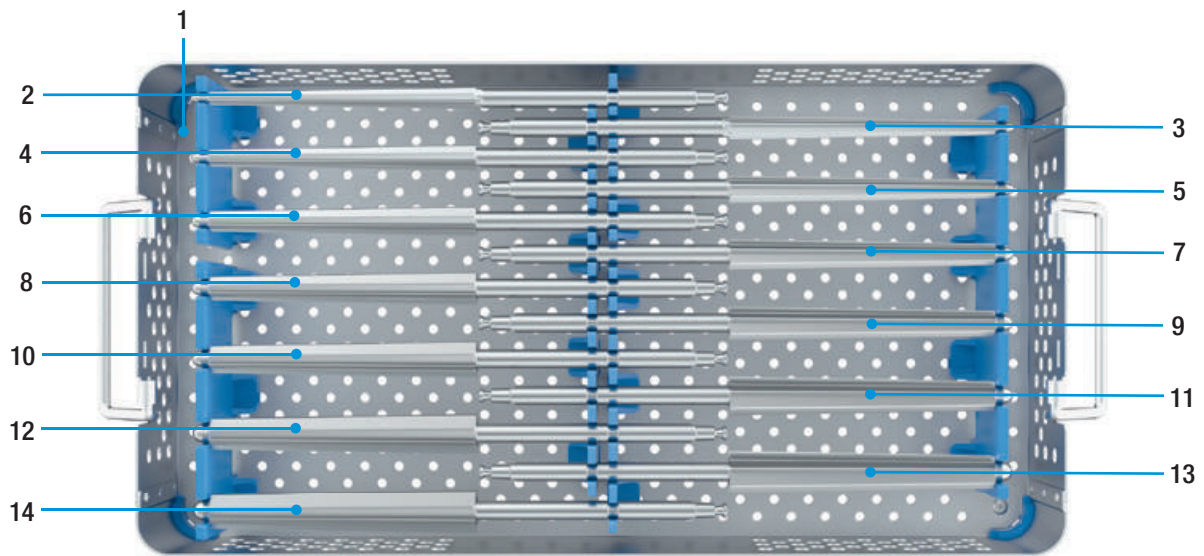
<p>15-8830/02</p>	<p>Instrument Set (2)</p>	<p>Trial Prostheses: Total Femur Replacement</p>
<p>consisting of: 15-8831/02</p>	<p>Instrument Tray, Stainless Steel, empty, upper L = 478 mm, W = 253 mm, H = 106 mm</p> <p>Tray with detailed instruments, see page 88</p>	
<p>134-020/00</p>	<p>Instrument Set</p>	<p>MP Trial Implants</p>
<p>consisting of: 134-021/00</p>	<p>Instrument Tray, Stainless Steel, empty, L = 478 mm, W = 253 mm, H = 76 mm</p> <p>Tray with detailed instruments, see page 89</p>	
<p>16-0100/02</p>	<p>Instrument Set</p>	<p>Assembly</p>
<p>consisting of: 16-0100/03</p>	<p>Instrument Tray, Stainless Steel, empty, L = 478 mm, W = 253 mm, H = 86 mm</p> <p>Tray with detailed instruments, see page 90</p>	

15-8710/02 Instrument Set – Tapered Reamers: 100 mm



1	15-8711/02	Instrument Tray , Stainless Steel, empty, L = 478 mm, W = 253 mm, H = 76 mm	
		Tapered Reamers: L = 100 mm, Stainless Steel, conical, Hudson fitting (B)	
2	16-5100/12	Ø 12 mm	L = 100 mm
3	16-5100/13	Ø 13 mm	L = 100 mm
4	16-5100/14	Ø 14 mm	L = 100 mm
5	16-5100/15	Ø 15 mm	L = 100 mm
6	16-5100/16	Ø 16 mm	L = 100 mm
7	16-5100/17	Ø 17 mm	L = 100 mm
8	16-5100/18	Ø 18 mm	L = 100 mm
9	16-5100/19	Ø 19 mm	L = 100 mm
10	16-5100/20	Ø 20 mm	L = 100 mm
11	16-5100/21	Ø 21 mm	L = 100 mm
12	16-5100/22	Ø 22 mm	L = 100 mm
13	16-5100/23	Ø 23 mm	L = 100 mm
14	16-5100/24	Ø 24 mm	L = 100 mm

15-8720/02 Instrument Set – Tapered Reamers: 130 mm



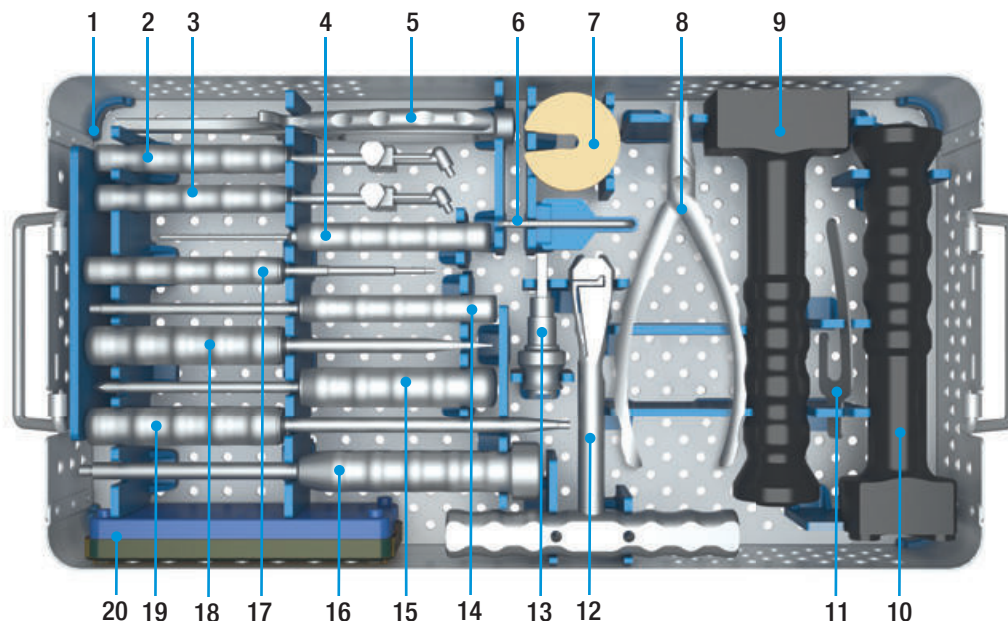
1	15-8721/02	Instrument Tray , Stainless Steel, empty, L = 478 mm, W = 253 mm, H = 76 mm	
		Tapered Reamers: L = 130 mm, Stainless Steel, conical, Hudson fitting (B)	
2	16-5130/12	Ø 12 mm	L = 130 mm
3	16-5130/13	Ø 13 mm	L = 130 mm
4	16-5130/14	Ø 14 mm	L = 130 mm
5	16-5130/15	Ø 15 mm	L = 130 mm
6	16-5130/16	Ø 16 mm	L = 130 mm
7	16-5130/17	Ø 17 mm	L = 130 mm
8	16-5130/18	Ø 18 mm	L = 130 mm
9	16-5130/19	Ø 19 mm	L = 130 mm
10	16-5130/20	Ø 20 mm	L = 130 mm
11	16-5130/21	Ø 21 mm	L = 130 mm
12	16-5130/22	Ø 22 mm	L = 130 mm
13	16-5130/23	Ø 23 mm	L = 130 mm
14	16-5130/24	Ø 24 mm	L = 130 mm

15-8730/02 Instrument Set – Tapered Reamers: 160 mm



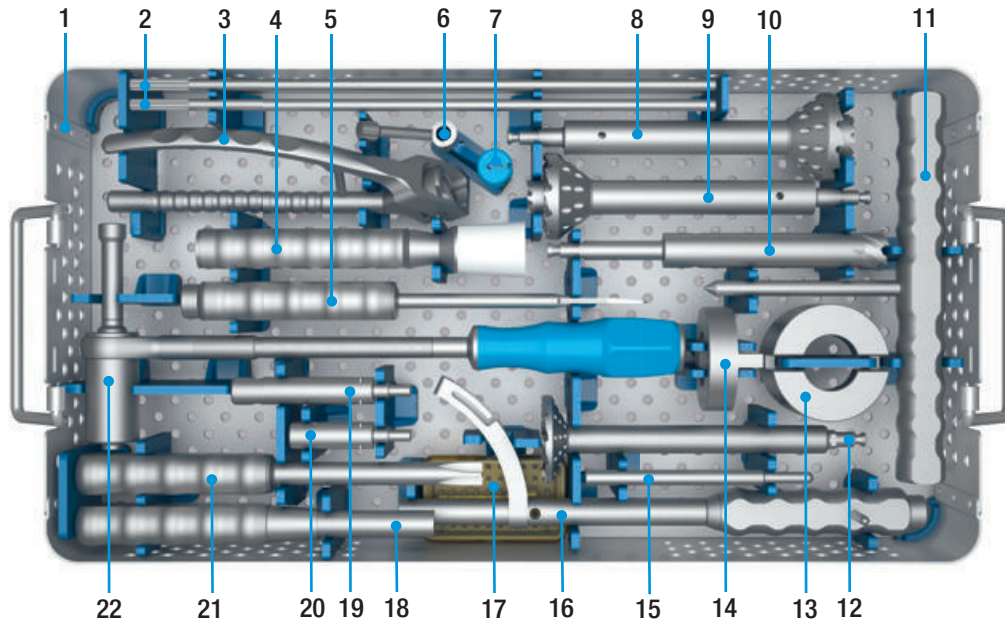
1	15-8731/02	Instrument Tray , Stainless Steel, empty, L = 478 mm, W = 253 mm, H = 76 mm	
		Tapered Reamers: L = 160 mm, Stainless Steel, conical, Hudson fitting (B)	
2	16-5160/12	Ø 12 mm	L = 160 mm
3	16-5160/13	Ø 13 mm	L = 160 mm
4	16-5160/14	Ø 14 mm	L = 160 mm
5	16-5160/15	Ø 15 mm	L = 160 mm
6	16-5160/16	Ø 16 mm	L = 160 mm
7	16-5160/17	Ø 17 mm	L = 160 mm
8	16-5160/18	Ø 18 mm	L = 160 mm
9	16-5160/19	Ø 19 mm	L = 160 mm
10	16-5160/20	Ø 20 mm	L = 160 mm
11	16-5160/21	Ø 21 mm	L = 160 mm
12	16-5160/22	Ø 22 mm	L = 160 mm
13	16-5160/23	Ø 23 mm	L = 160 mm
14	16-5160/24	Ø 24 mm	L = 160 mm

15-8740/02 Instrument Set – General Instruments I



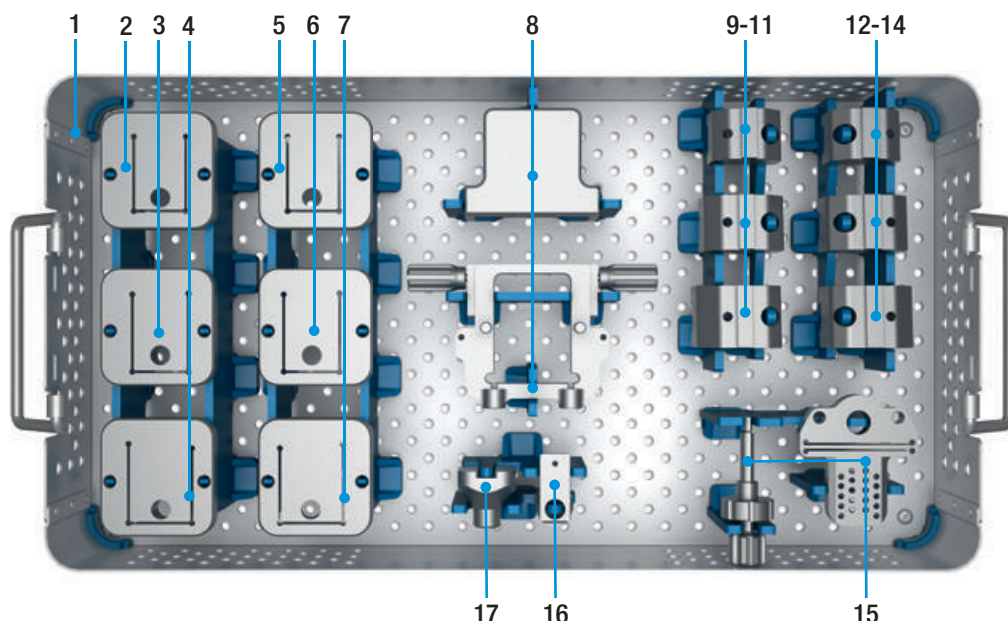
1	15-8741/02	Instrument Tray , Stainless Steel, empty, L = 478 mm, W = 253 mm, H = 76 mm
2	15-8035/02	Insertion Positioner , with metal handle, Stainless Steel, for PE plateaus Endo-Model S, M and L
3	15-8035/03	Insertion Positioner , with metal handle, Stainless Steel, for PE plateaus Endo-Model XS and SL
4	15-2546	Hex Screwdriver , torque limiting, Stainless Steel, L = 205 mm, hex 2.0 mm
5	317-586	Inserter/Extraction Forceps , for fixation pin with Ø 3 mm, Stainless Steel, L = 210 mm
6	16-0116/01	Hex Screwdriver , conical, Stainless Steel, hex 2.5 mm
7	16-3203/00	Impaction Plate , PP, for tapered reamers
8	16-0020/02	Connecting/Disconnecting Forceps , slim, Stainless Steel, L = 175 mm
9	317-646/01	Grooved Driver , PP, for femoral components, L = 210 mm
10	16-0018/02	Grooved Driver , PP, for Endo-Model SL tibial component, L = 210 mm
11	317-607/50	Cutting Template , Stainless Steel
12	15-6053/00	T-Handle , Stainless Steel, Hudson fitting (B)
13	16-3283/01	Adapter , Stainless Steel, Hudson female/Jacobs male fitting <u>Adapter fitting optional (not included in instrument set):</u>
	16-3284/00	Hudson female/AO male
	16-3285/00	Hudson female/Harris male
14	16-0017/01	Separate Rod M5 , with metal handle, Stainless Steel, L = 200 mm
15	317-658/01	Bone Awl , with trocar point, Stainless Steel, L = 215 mm
16	15-8516/45	Driver/Extractor , with metal handle, Stainless Steel, L = 240 mm
17	10-5373/01	Hex Screwdriver , with metal handle, Stainless Steel, hex 2.5 mm, L = 180 mm
18	322-145/01	Screwdriver , Stainless Steel, blade width 8.0 mm, L = 210 mm
19	64-8008/02	Hex Screwdriver , with metal handle, Stainless Steel, hex 3.5 mm, L = 250 mm
	317-585/65	Wire Pins , for cutting guides, Stainless Steel, Ø 3 mm, L = 65 mm (4 ea. included)
	317-585/95	Wire Pins , for cutting guides, Stainless Steel, Ø 3 mm, L = 95 mm (4 ea. included)
20	319-602/30	Sterilizing Box , consists of base, silicon mat and lid, medium, PPSU, L = 160 mm, W = 71 mm, H = 27.5 mm

15-8750/02 Instrument Set – General Instruments II



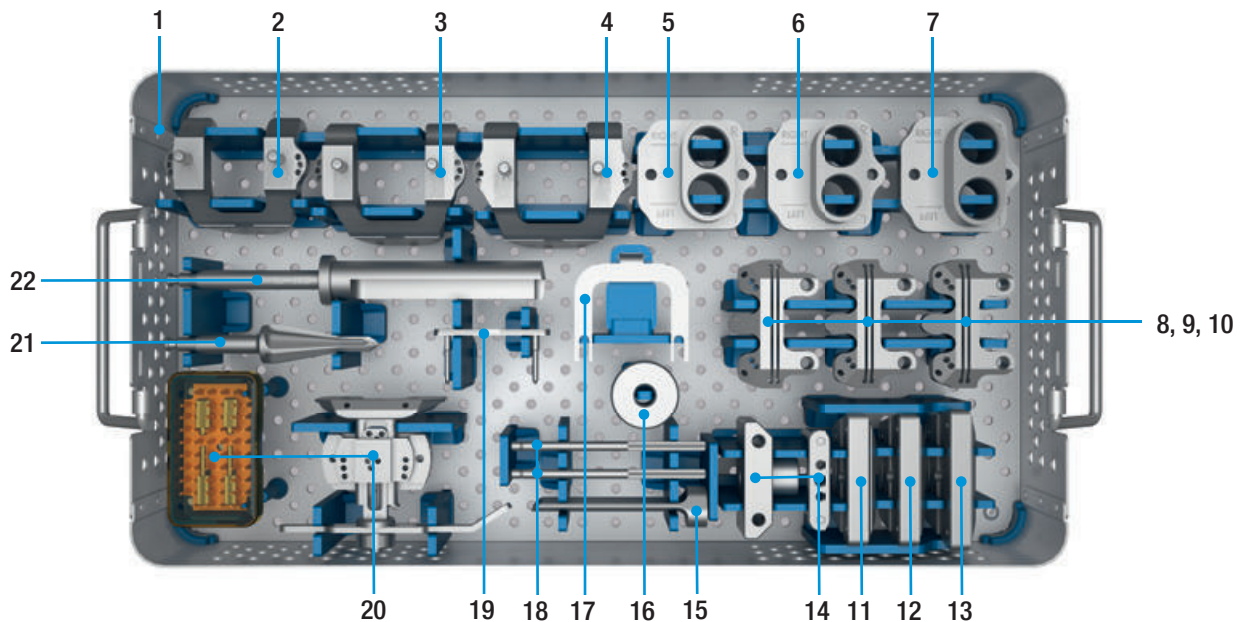
1	15-8751/02	Instrument Tray , Stainless Steel, empty, L = 478 mm, W = 253 mm, H = 76 mm
2	16-3235/00	Guide Rod , Stainless Steel, for saw guide for notching (2 ea. included)
3	134-141/00	Insertion Forceps , Stainless Steel
4	130-600	Impactor , with exchangeable plastic head, L = 170 mm
5	15-8516/41	Separator , with metal handle, Stainless Steel, L = 235 mm
6	134-202/00	Go/no go Guide , Stainless Steel
7	131-830/04	Taper Cap , PPSU, radiopaque, blue
8	16-3204/24	Step Reamer , Stainless Steel, L = 85 mm, Ø 24 mm, Hudson fitting (B)
9	16-3204/18	Step Reamer , Stainless Steel, L = 85 mm, Ø 18 mm, Hudson fitting (B)
10	134-200/00	Tubular Reamer , with external chip disposal, Stainless Steel, Ø 21 mm, Hudson fitting (B)
11	15-8506/52	Distraction Instrument , with metal handle, Stainless Steel
12	16-3205/30	Reamer , Stainless Steel, L = 85 mm, Ø 46 mm, Hudson fitting (B)
13	16-3237/00	Saw Guide , for notching, Stainless Steel
14	16-3236/00	Adapter Ring , Stainless Steel, for saw guide for notching
15	134-201/00	Guide Rod , for positioning of neck segments, Stainless Steel, L = 120 mm
16	131-379/00	Inserter Positioner , with metal handle, Stainless Steel, for neck segments
17	319-601/30	Sterilizing Box , consists of base, silicon mat and lid, small, PPSU, L = 79.5 mm, W = 46.5 mm, H = 20,5 mm, incl. screws, for insertion instrument 131-379/00
18	131-385/01	Screwdriver , Stainless Steel, L = 185 mm, hex 8.0 mm
19	134-204/35	Reaming Guide , Stainless Steel, Tilastan-S, Total L = 62 mm, for long (65 mm) neck segments
20	134-204/65	Reaming Guide , Stainless Steel, Tilastan-S, Total L = 92 mm, for short (35 mm) neck segments
21	16-3290/00	Cross Slot Screwdriver , with metal handle, Stainless Steel, L = 210 mm, wrench size 12 mm
22	134-140/00	Torque Wrench , with silicone handle, Stainless Steel, Silicone, L = 380 mm, hex 8.0 mm

15-8760/02 Instrument Set – Femur I



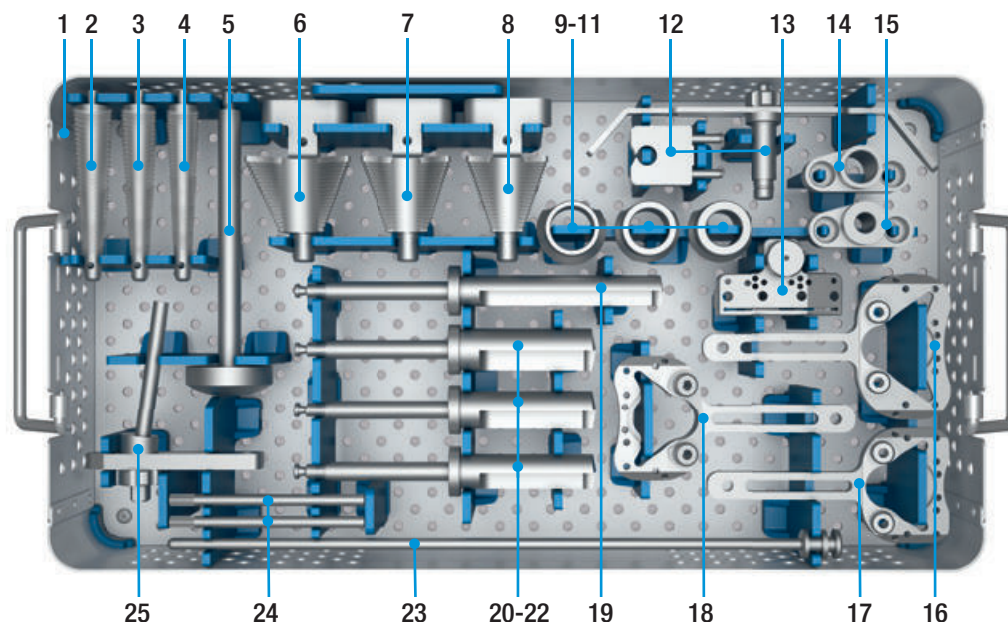
1	15-8761/02	Instrument Tray , Stainless Steel, empty, L = 478 mm, W = 253 mm, H = 76 mm
		Saw Attachments , Stainless Steel, for Endo-Model SL femoral components
2	16-3221/01	small S right
3	16-3223/01	medium M right
4	16-3225/01	large L right
5	16-3221/02	small S left
6	16-3223/02	medium M left
7	16-3225/02	large L left
8	16-3278/00	Revision Alignment Gauge , distal, Stainless Steel, for Endo-Model SL femoral components (2 parts)
		Femoral Trial Box , Stainless Steel, for Endo-Model SL femoral components
9	16-3261/01	small S right
10	16-3263/01	medium M right
11	16-3265/01	large L right
12	16-3261/02	small S left
13	16-3263/02	medium M left
14	16-3265/02	large L left
15	16-3277/00	Revision Cutting Block , distal, Stainless Steel, for Endo-Model SL femoral components (2 parts)
16	16-3282/00	Alignment Instrument , Stainless Steel, for femoral trial box
17	16-3271/00	Adapter , Stainless Steel, for femoral trial box

15-8770/02 Instrument Set – Femur II



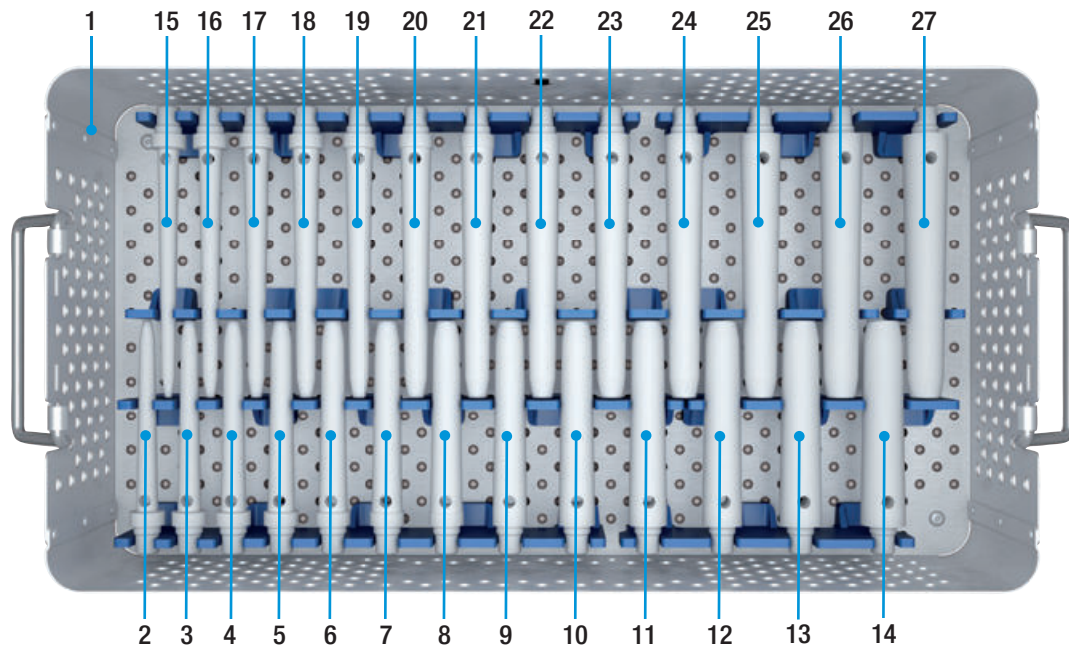
1	15-8771/02	Instrument Tray , Stainless Steel, empty, L = 478 mm, W = 253 mm, H = 76 mm
Condyle Caps , Femur, slotted, Stainless Steel		
2	16-3241/02	size 2 right/left S
3	16-3241/03	size 3 right/left M
4	16-3241/04	size 4 right/left L
Drill Caps , Femur, Stainless Steel, Ø 20 mm		
5	16-3213/02	size 2 right/left S
6	16-3213/03	size 3 right/left M
7	16-3213/04	size 4 right/left L
Cutting Blocks , Femur, Stainless Steel, for distal cut		
8	16-3228/02	size 2 S
9	16-3228/03	size 3 M
10	16-3228/04	size 4 L
Cutting Blocks , Femur, Stainless Steel, for chamfer cuts		
11	16-3250/02	size 2 S
12	16-3250/03	size 3 M
13	16-3250/04	size 4 L
14	16-3275/00	Alignment Instrument , Stainless Steel, for valgus angulation (2 parts)
15	317-802/32	Chisel , Stainless Steel, L = 80 mm, for patella glide
16	16-3281/00	Center Sleeve , Femur, Stainless Steel, for drill cap
17	16-3279/00	Holding Clamp , Stainless Steel
18	317-802/58	Alignment Rod , Stainless Steel, for epicondyles, L = 100 mm (2 ea. included)
19	317-802/36	Dove Tail Adapter , size 2-5, Stainless Steel, neutral, for femoral cutting blocks
20	16-3276/00	Alignment Instrument , Stainless Steel, for determination of external rotation (5 parts)
20	319-601/30	Sterilizing Box , consists of base, silicon mat and lid, small, PPSU, L = 79.5 mm, W = 46.5 mm, H = 20,5 mm, incl. screws, for insertion instrument 131-379/00
21	15-6037/00	Drill , conical, Stainless Steel, to open the femoral and tibial canal, Hudson fitting (B)
22	16-3206/20	Drill , Femur, Stainless Steel, with stop, Ø 20 mm, Hudson fitting (B), for Endo-Model SL femoral components

15-8780/02 Instrument Set – Tibia



1	15-8781/02	Instrument Tray , Stainless Steel, empty, L= 478 mm, W= 253 mm, H= 76 mm
		Stem Compressors , Stainless Steel, for Endo-Model SL tibial components
2	16-3201/04	large L
3	16-3201/03	medium M
4	16-3201/02	small S
5	16-3197/00	Handle , Stainless Steel, for tibial compressor/femoral trial box
		Bone Compressors , Stainless Steel, for Endo-Model SL tibial components
6	16-3199/14	large L
7	16-3199/13	medium M
8	16-3199/12	small S
		Drill Guides , Tibia, Stainless Steel, for drill templates
9	16-3270/22	large L
10	16-3270/20	medium M
11	16-3270/18	small S
12	317-802/52	Stylus , Stainless Steel, for tibial saw guide, adjustable (2 parts)
13	16-3241/00	Tibial Saw Guide , Stainless Steel, for Endo-Model SL tibial components
14	16-3267/00	Drill Guide , Tibia, Stainless Steel, Ø 16 mm, for ventral cut
15	16-3266/00	Alignment Gauge , Tibia, Stainless Steel, for drill templates
		Drill Templates , Stainless Steel, for Endo-Model SL tibial components
16	16-3198/14	large L
17	16-3198/12	small S
18	16-3198/13	medium M
19	16-3207/16	Drill , Tibia, with stop, Stainless Steel, Ø 16 mm, for ventral cut, for Endo-Model SL tibial components
		Drill , Tibia, with stop, Stainless Steel, for Endo-Model SL tibial components
20	16-3208/22	large L Ø 22 mm
21	16-3208/20	medium M Ø 20 mm
22	16-3208/18	klein S Ø 18 mm
23	16-3242/00	Alignment Rod , Tibia, Stainless Steel
24	16-3211/00	Guide Rod , Tibia, Stainless Steel, for drill template (2 ea. included)
25	16-3212/08	Connector , Stainless Steel, 8°, for tapered reamer/tibial saw guide

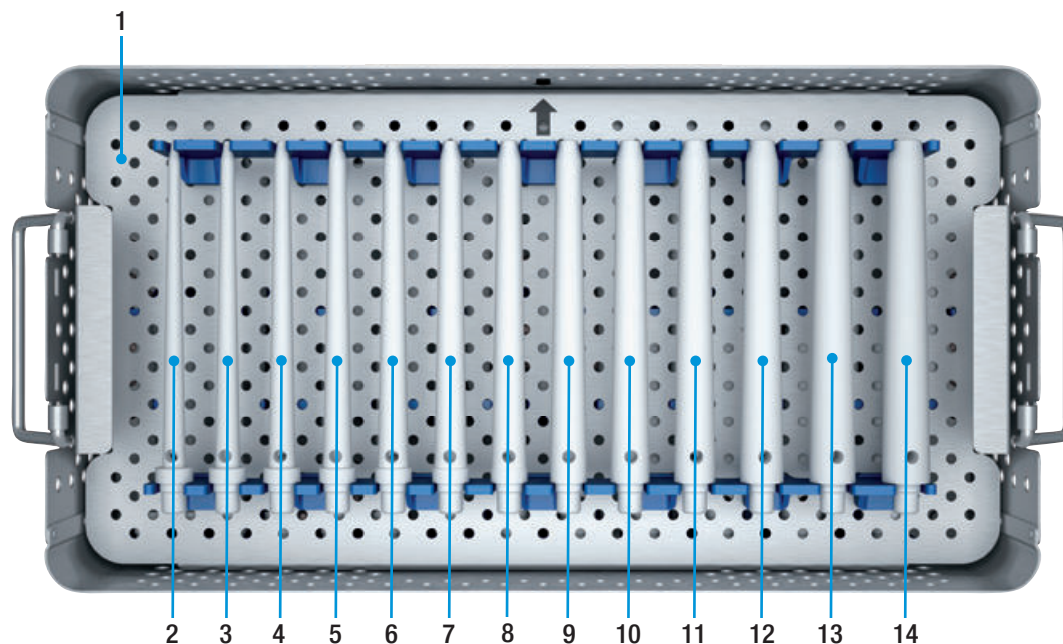
15-8790/02 Instrument Set (1) – Trial Stems: Femur, 100 mm, 130 mm



1	15-8791/02	Instrument Tray, lower, Stainless Steel, empty, L = 478 mm, W = 253 mm, H = 106 mm	
		Femoral Trial Stems, PPSU, radiopaque, L = 100 mm, conical	
2	16-3101/12	Ø 12 mm	L = 100 mm
3	16-3101/13	Ø 13 mm	L = 100 mm
4	16-3101/14*	Ø 14 mm	L = 100 mm
5	16-3101/15	Ø 15 mm	L = 100 mm
6	16-3101/16*	Ø 16 mm	L = 100 mm
7	16-3101/17	Ø 17 mm	L = 100 mm
8	16-3101/18*	Ø 18 mm	L = 100 mm
9	16-3101/19	Ø 19 mm	L = 100 mm
10	16-3101/20	Ø 20 mm	L = 100 mm
11	16-3101/21	Ø 21 mm	L = 100 mm
12	16-3101/22	Ø 22 mm	L = 100 mm
13	16-3101/23	Ø 23 mm	L = 100 mm
14	16-3101/24	Ø 24 mm	L = 100 mm
		Trial Stems, PPSU, radiopaque, L = 130 mm, conical	
15	16-3131/12	Ø 12 mm	L = 130 mm
16	16-3131/13	Ø 13 mm	L = 130 mm
17	16-3131/14*	Ø 14 mm	L = 130 mm
18	16-3131/15	Ø 15 mm	L = 130 mm
19	16-3131/16*	Ø 16 mm	L = 130 mm
20	16-3131/17	Ø 17 mm	L = 130 mm
21	16-3131/18*	Ø 18 mm	L = 130 mm
22	16-3131/19	Ø 19 mm	L = 130 mm
23	16-3131/20	Ø 20 mm	L = 130 mm
24	16-3131/21	Ø 21 mm	L = 130 mm
25	16-3131/22	Ø 22 mm	L = 130 mm
26	16-3131/23	Ø 23 mm	L = 130 mm
27	16-3131/24	Ø 24 mm	L = 130 mm

* also for cemented modular stems 12, 14 und 16 mm

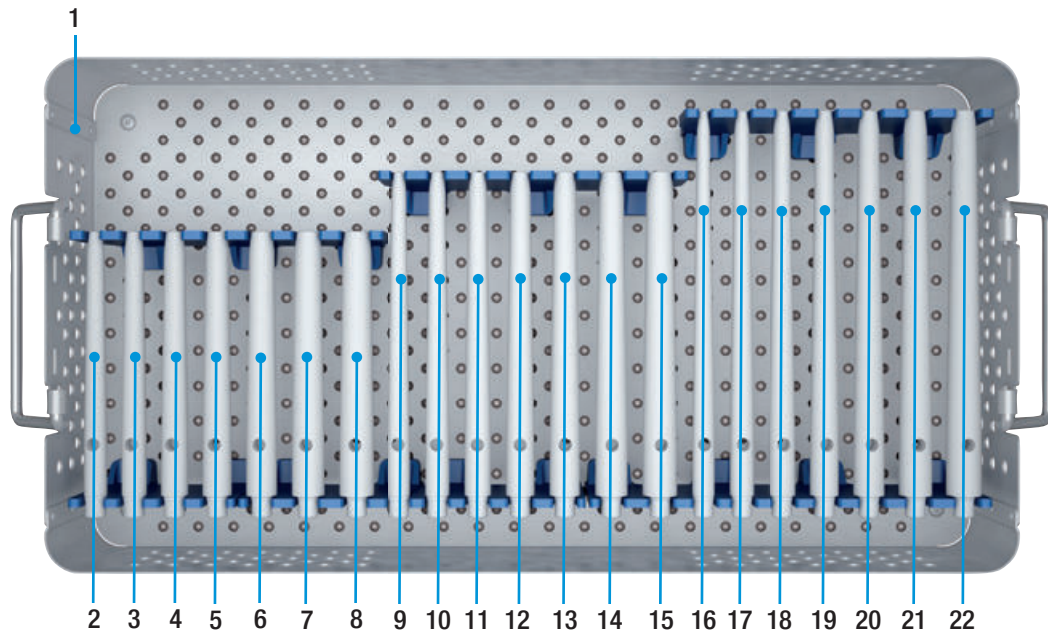
15-8790/02 Instrument Set (2) – Trial Stems: Femur, 160 mm



1	15-8791/02	Instrument Tray, upper, Stainless Steel, empty, L= 478 mm, W= 253 mm, H= 106 mm	
		Femoral Trial Stems, PPSU, radiopaque, L= 160 mm, conical	
2	16-3161/12	Ø 12 mm	L= 160 mm
3	16-3161/13	Ø 13 mm	L= 160 mm
4	16-3161/14*	Ø 14 mm	L= 160 mm
5	16-3161/15	Ø 15 mm	L= 160 mm
6	16-3161/16*	Ø 16 mm	L= 160 mm
7	16-3161/17	Ø 17 mm	L= 160 mm
8	16-3161/18*	Ø 18 mm	L= 160 mm
9	16-3161/19	Ø 19 mm	L= 160 mm
10	16-3161/20	Ø 20 mm	L= 160 mm
11	16-3161/21	Ø 21 mm	L= 160 mm
12	16-3161/22	Ø 22 mm	L= 160 mm
13	16-3161/23	Ø 23 mm	L= 160 mm
14	16-3161/24	Ø 24 mm	L= 160 mm

* also for cemented modular stems 12, 14 und 16 mm

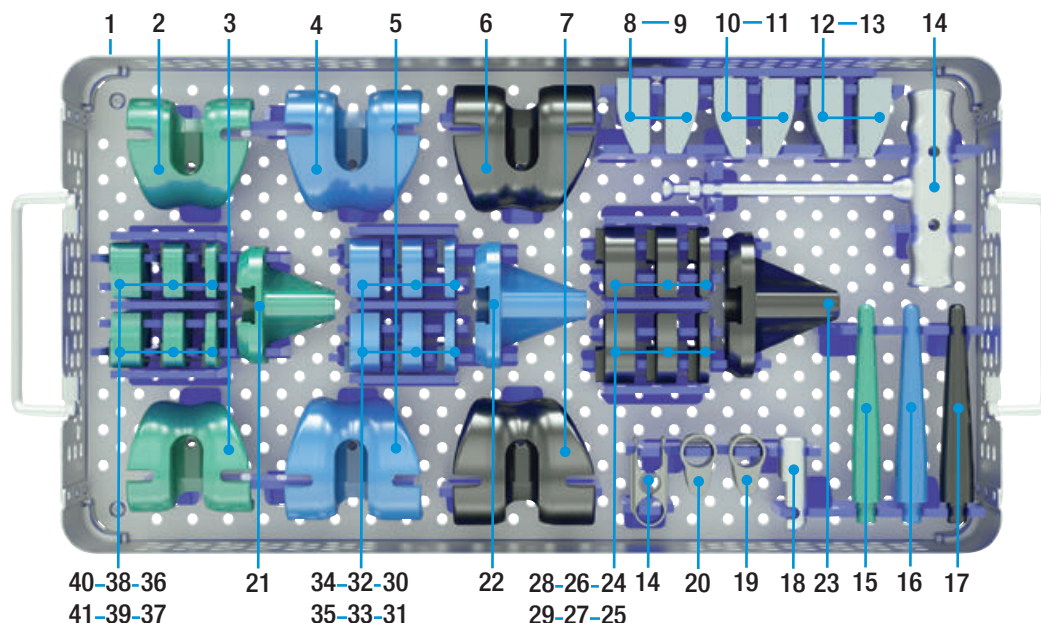
15-8810/02 Instrument Set – Trial Stems: Tibia, 100 mm, 130 mm, 160 mm



1	15-8811/02	Instrument Tray , Stainless Steel, empty, L = 478 mm, W = 253 mm, H = 76 mm	
Tibial Trial Stems , PPSU, radiopaque, L = 100 mm, conical			
2	16-4101/12	Ø 12 mm	L = 100 mm
3	16-4101/13	Ø 13 mm	L = 100 mm
4	16-4101/14*	Ø 14 mm	L = 100 mm
5	16-4101/15	Ø 15 mm	L = 100 mm
6	16-4101/16*	Ø 16 mm	L = 100 mm
7	16-4101/17	Ø 17 mm	L = 100 mm
8	16-4101/18*	Ø 18 mm	L = 100 mm
Tibial Trial Stems , PPSU, radiopaque, L = 130 mm, conical			
9	16-4131/12	Ø 12 mm	L = 130 mm
10	16-4131/13	Ø 13 mm	L = 130 mm
11	16-4131/14*	Ø 14 mm	L = 130 mm
12	16-4131/15	Ø 15 mm	L = 130 mm
13	16-4131/16*	Ø 16 mm	L = 130 mm
14	16-4131/17	Ø 17 mm	L = 130 mm
15	16-4131/18*	Ø 18 mm	L = 130 mm
Tibial Trial Stems , PPSU, radiopaque, L = 160 mm, conical			
16	16-4161/12	Ø 12 mm	L = 160 mm
17	16-4161/13	Ø 13 mm	L = 160 mm
18	16-4161/14*	Ø 14 mm	L = 160 mm
19	16-4161/15	Ø 15 mm	L = 160 mm
20	16-4161/16*	Ø 16 mm	L = 160 mm
21	16-4161/17	Ø 17 mm	L = 160 mm
22	16-4161/18*	Ø 18 mm	L = 160 mm

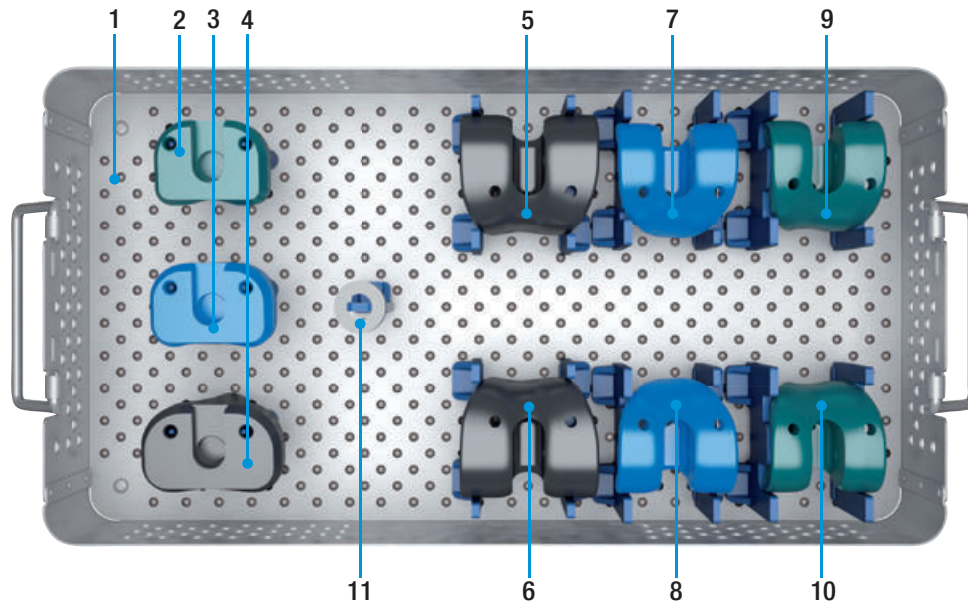
* also for cemented modular stems 12, 14 und 16 mm

15-8820/03 Instrument Set – Trial Prostheses: Femur/Tibia, intracondylar



1	15-8821/03	Instrument Tray , Stainless Steel, empty, L = 478 mm, W = 253 mm, H = 76 mm			
Femoral Trial Prostheses , PPSU, intracondylar					
2	16-3181/12	left	small S		green
3	16-3181/11	right	small S		green
4	16-3183/12	left	medium M		blue
5	16-3183/11	right	medium M		blue
6	16-3185/12	left	large L		black
7	16-3185/11	right	large L		black
Femoral Trial Segments , PPSU, radiopaque					
8	16-4368/12	left	small S/medium M/large L	H = 15 mm	
9	16-4368/11	right	small S/medium M/large L	H = 15 mm	
10	16-4368/02	left	small S/medium M/large L	H = 25 mm	
11	16-4368/01	right	small S/medium M/large L	H = 25 mm	
12	16-4368/22	left	small S/medium M/large L	full	
13	16-4368/21	right	small S/medium M/large L	full	
14	15-6061/00	Extraction Instrument , Stainless Steel, for trial prostheses (2 parts)			
15	16-3170/12	Tibial Trial Stem , PPSU, radiopaque		small S	green
16	16-3170/13	Tibial Trial Stem , PPSU, radiopaque		medium M	blue
17	16-3170/14	Tibial Trial Stem , PPSU, radiopaque		large L	black
18	16-4367/20	Trial Axis , for Rotating and Pure Hinge version			
19	16-4367/00	Trial Connection Component , Stainless Steel, for pure hinge knee			
20	16-4367/10	Trial Connection Component , Stainless Steel, for rotating hinge knee			
21	16-3175/12	Tibial Trial Prosthesis , intracondylar, PPSU		small S	green
22	16-3175/13	Tibial Trial Prosthesis , intracondylar, PPSU		medium M	blue
23	16-3175/14	Tibial Trial Prosthesis , intracondylar, PPSU		large L	black
Tibial Trial Spacers , half, PPSU, radiopaque					
24	16-4361/03	right	large L	H = 5 mm	black
25	16-4362/03	left	large L	H = 5 mm	black
26	16-4363/03	right	large L	H = 10 mm	black
27	16-4364/03	left	large L	H = 10 mm	black
28	16-4365/03	right	large L	H = 15 mm	black
29	16-4366/03	left	large L	H = 15 mm	black
30	16-4361/02	right	medium M	H = 5 mm	blue
31	16-4362/02	left	medium M	H = 5 mm	blue
32	16-4363/02	right	medium M	H = 10 mm	blue
33	16-4364/02	left	medium M	H = 10 mm	blue
34	16-4365/02	right	medium M	H = 15 mm	blue
35	16-4366/02	left	medium M	H = 15 mm	blue
36	16-4361/01	right	small S	H = 5 mm	green
37	16-4362/01	left	small S	H = 5 mm	green
38	16-4363/01	right	small S	H = 10 mm	green
39	16-4364/01	left	small S	H = 10 mm	green
40	16-4365/01	right	small S	H = 15 mm	green
41	16-4366/01	left	small S	H = 15 mm	green

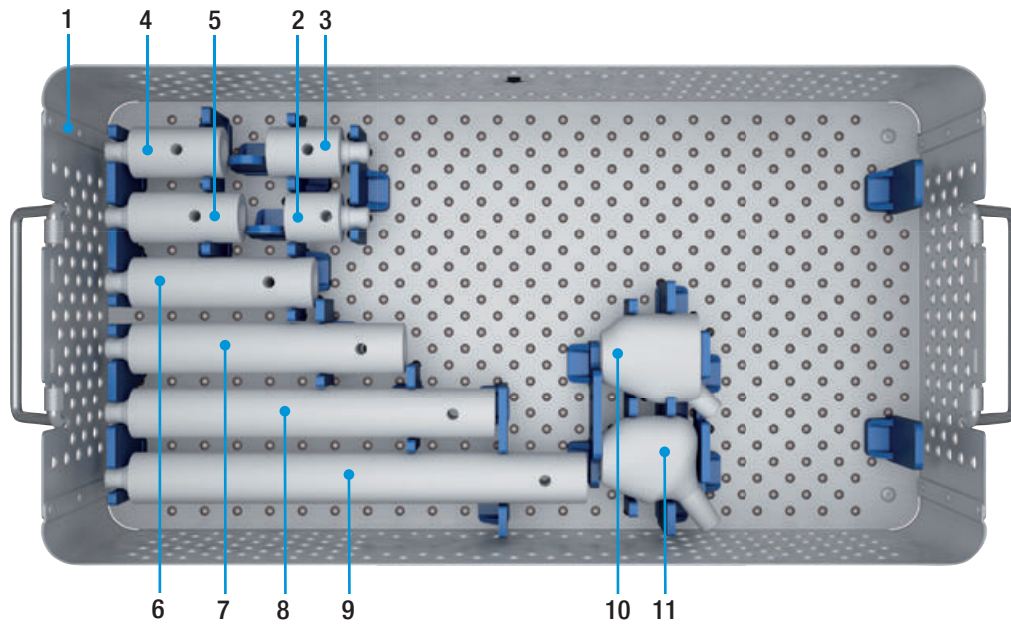
15-8840/03 Instrument Set – Trial Instruments: Distal Femur and Proximal Tibial Replacement



1	15-8841/02	Instrument Tray , Stainless Steel, empty, L = 478 mm, W = 253 mm, H = 76 mm		
Tibial Trial Prostheses , PPSU, for proximal tibia replacement				
2	16-3180/12	small S	green	
3	16-3180/13	medium M	blue	
4	16-3180/14	large L	black	
Femoral Trial Prostheses , PPSU, radiopaque, for distal femur replacement, slim				
5	16-3195/21	large L	right	black
6	16-3195/22	large L	left	black
7	16-3193/21	medium M	right	blue
8	16-3193/22	medium M	left	blue
9	16-3191/21	small S	right	green
10	16-3191/22	small S	left	green
11	15-6094/00	Trial Support Ring , PPSU, Ø 28 mm, H = 10 mm		

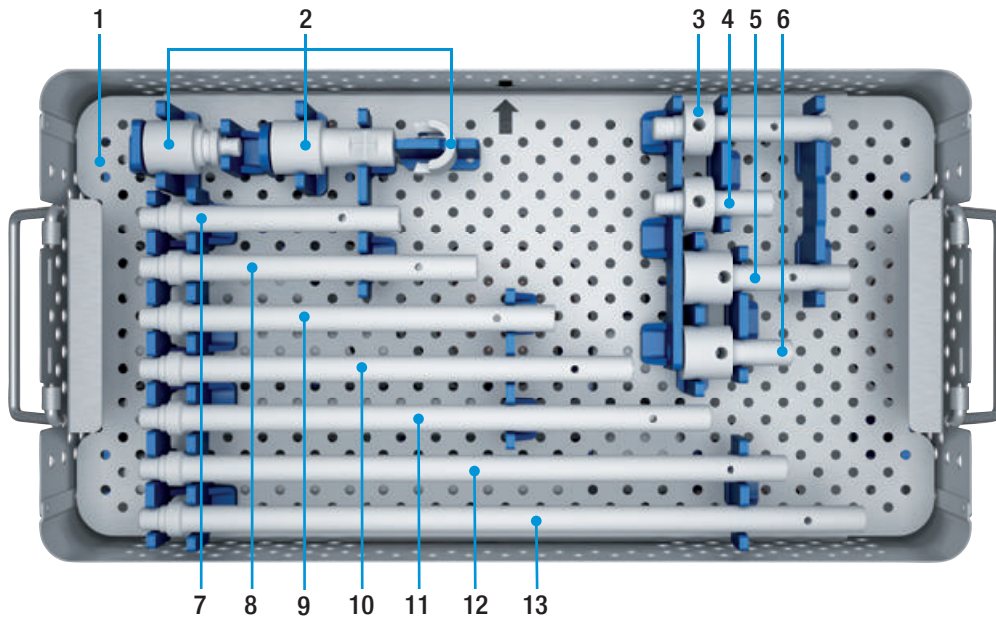
Optional: radiopaque Trial Prostheses				
Femoral Trial Prostheses , intracondylar, PPSU, radiopaque				
16-3181/21	small S	right	green	
16-3181/22	small S	left	green	
16-3183/21	medium M	right	blue	
16-3183/22	medium M	left	blue	
16-3185/21	large L	right	black	
16-3185/22	large L	left	black	
Tibial Trial Prostheses , intracondylar, PPSU, radiopaque				
16-3175/22	small S	green		
16-3175/23	medium M	blue		
16-3175/24	large L	black		
Tibial Trial Prostheses , for proximal tibia replacement, PPSU, radiopaque				
16-3180/22	small S	green		
16-3180/23	medium M	blue		
16-3180/24	large L	black		

15-8830/02 Instrument Set (1) – Trial Prostheses: Total Femur Replacement



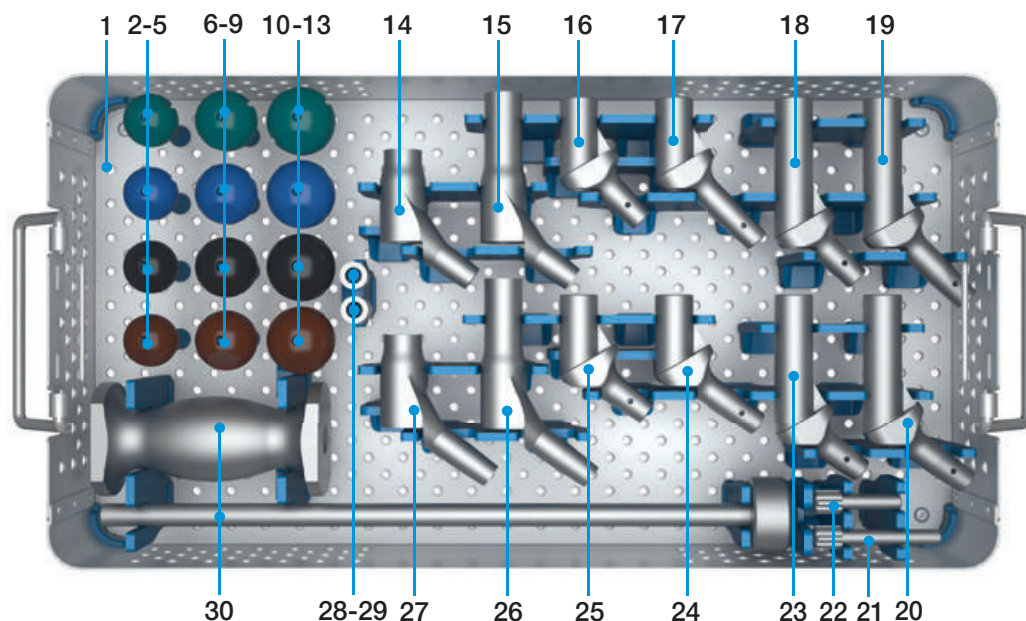
1	15-8831/02	Instrument Tray, lower, Stainless Steel, empty, L= 478 mm, W= 253 mm, H= 106 mm	
		Trial Stem Segments, PPSU, cylindrical	
2	16-3030/01	L= 30 mm	
3	16-3040/01	L= 40 mm	
4	16-3050/01	L= 60 mm	
5	16-3060/01	L= 60 mm	
6	16-3100/01	L= 100 mm	
7	16-3150/01	L= 150 mm	
8	16-3200/01	L= 200 mm	
9	16-3250/01	L= 250 mm	
		Trial Neck Segments, PPSU, solid, short	
10	16-3213/35	L= 35 mm	CCD 135°
11	16-3213/26	L= 35 mm	CCD 126°

15-8830/02 Instrument Set (2) – Trial Prostheses: Total Femur Replacement



1	15-8831/02	Instrument Tray, upper , Stainless Steel, empty, L = 478 mm, W = 253 mm, H = 106 mm
2	16-3204/01	Trial Coupling , PPSU, for diaphyseal spacer (3 parts) Trial Couplings , PPSU
3	16-3212/26	for total femur replacement, long
4	16-3212/24	for total femur replacement, short
5	16-3212/30	for proximal femur replacment, long
6	16-3212/28	for proximal femur replacment, short
		Trial Push-through Stems , Ø 14 mm, Stainless Steel
7	16-4120/01	L = 120 mm
8	16-4160/01	L = 160 mm
9	16-4200/01	L = 200 mm
10	16-4240/01	L = 240 mm
11	16-4280/01	L = 280 mm
12	16-4320/01	L = 320 mm
13	16-4360/01	L = 360 mm

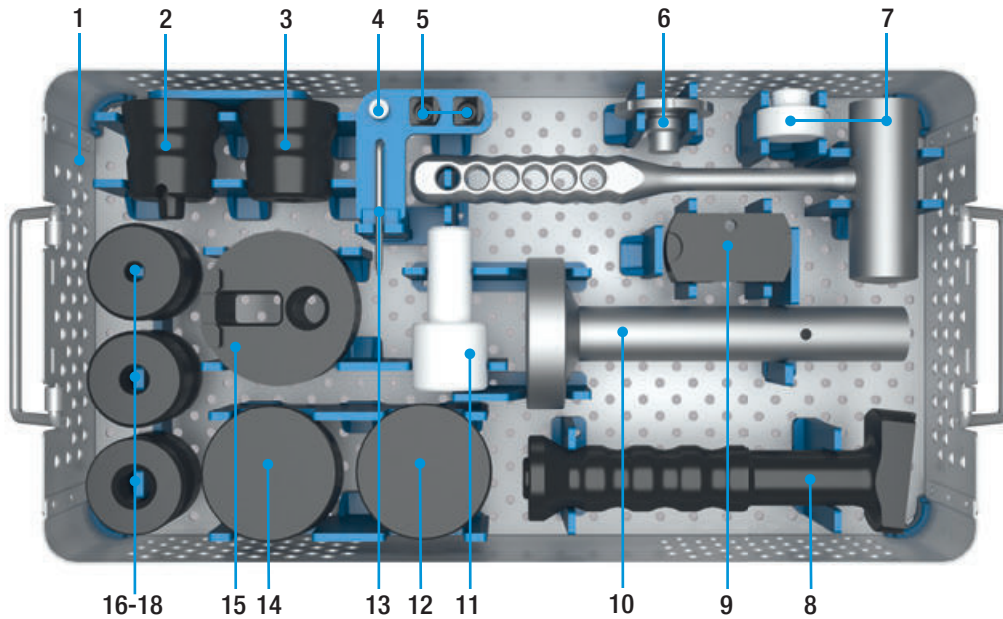
134-020/00 Instrument Set – MP Trial Implants



1	134-021/00	Instrument Tray , Stainless Steel, empty, L = 478 mm x W = 253 mm x H = 76 mm
		Plastic Trial Heads , PPSU, radiopaque, taper 12/14 mm, Ø 28 mm
2	175-928/11	S/- 3.5 mm green
3	175-928/12	M/0 mm blue
4	175-928/13	L/+ 3.5 mm black
5	175-928/14 *	XL/+ 10.5 mm brown
		Plastic Trial Heads , PPSU, radiopaque, taper 12/14 mm, Ø 32 mm
6	175-932/11	S/- 4 mm green
7	175-932/12	M/0 mm blue
8	175-932/13	L/+ 4 mm black
9	175-932/14	XL/+ 8.5 mm brown
		Plastic Trial Heads , PPSU, radiopaque, taper 12/14 mm, Ø 36 mm
10	175-936/11	S/- 4 mm green
11	175-936/12	M/0 mm blue
12	175-936/13	L/+ 4 mm black
13	175-936/14	XL/+ 8 mm brown
14	99-0984/33	Trial Neck Segment , with suture hole, Stainless Steel, short, L = 35 mm, CCD 126°, taper 12/14 mm
15	99-0984/31	Trial Neck Segment , with suture hole, Stainless Steel, long, L = 65 mm, CCD 126°, taper 12/14 mm
16	131-395/35	Trial Neck Segment , Stainless Steel, short, L = 35 mm, CCD 135°, taper 12/14 mm
17	131-393/35	Trial Neck Segment XXL , Stainless Steel, short, L = 35 mm, CCD 135°, taper 12/14 mm
18	131-396/35	Trial Neck Segment , Stainless Steel, long, L = 65 mm, CCD 135°, taper 12/14 mm
19	131-394/35	Trial Neck Segment XXL , Stainless Steel, long, L = 65 mm, CCD 135°, taper 12/14 mm
20	131-394/26	Trial Neck Segment XXL , Stainless Steel, long, L = 65 mm, CCD 126°, taper 12/14 mm
21	134-100/61	Trial Fixation Screw , Stainless Steel, long, L = 61 mm
22	134-100/41	Trial Fixation Screw , Stainless Steel, short, L = 41 mm
23	131-396/26	Trial Neck Segment , Stainless Steel, long, L = 65 mm, CCD 126°, taper 12/14 mm
24	131-393/26	Trial Neck Segment XXL , Stainless Steel, short, L = 35 mm, CCD 126°, taper 12/14 mm
25	131-395/26	Trial Neck Segment , Stainless Steel, short, L = 35 mm, CCD 126°, taper 12/14 mm
26	99-0984/27	Trial Neck Segment XXL , with suture hole, Stainless Steel, long, L = 65 mm, CCD 126°, taper 12/14 mm
27	99-0984/29	Trial Neck Segment XXL , with suture hole, Stainless Steel, short, L = 35 mm, CCD 126°, taper 12/14 mm
28	131-398/10	Trial Proximal Spacer , Stainless Steel, L = 10 mm
29	131-398/20	Trial Proximal Spacer , Stainless Steel, L = 20 mm
30	317-661	Guide Rod , with slap hammer, Stainless Steel, L = 365 mm

* Optional: Plastic Trial Heads XL/+ 7 mm (brown) 175-928/15 and XXL/+ 10.5 mm (grey) 175-928/16 are available – corresponding to implants 198-828/04 and /05.

16-0100/02 Instrument Set – Assembly



1	16-0100/03	Instrument Tray, Stainless Steel, empty, L = 478 mm, W = 253 mm, H = 86 mm
2	16-0111/02	Assembling Protector, PP, for female taper
3	16-0111/01	Assembling Protector, PP, for male taper
4	16-0114/04	Spare Part-Screw, Stainless Steel, for 16-0114/01 assembling protector femur
5	16-0114/02	Spare Part-Block, PP, for 16-0114/01 assembling protector femur (2 ea. included)
6	16-0113/01	Metal Core, Stainless Steel, for assembling protector, for modular stem (sizes 1 – 3)
7	16-0115/01	Mallet, non-resilient, Stainless Steel, PA, 800 g, complete
8	16-0114/01	Assembling Protector, Femur, PP, handle, complete
9	16-0114/03	Spare Part-Plate, PP, for 16-0114/01 assembling protector femur
10	16-0118/01	Assembling Table: Stainless Steel, upper part
11	16-0118/03	Assembling Table: PA, silencer
12	16-0110/02	Assembling Plate, PP, tibia, for Endo-Model SL
13	16-0116/02	Hex Screwdriver, Stainless Steel, hex 5.0 mm
14	16-0110/01	Assembling Plate, PP, femur
15	16-0110/03	Assembling Plate, PP, tibia, for Endo-Model
16	16-0112/01	Assembling Protectors, PP, size 1
17	16-0112/02	Assembling Protectors, PP, size 2
18	16-0112/03	Assembling Protectors, PP, size 3
	16-0118/02*	Assembling Table, Stainless Steel, lower part with fixed base plate

* Not included in Instrument Set 16-0100/02

Assembling Instruments

for MEGASYSTEM-C Tumor and Revision System



16-0118/01

Assembling Table, Stainless Steel, upper part



16-0118/02

Assembling Table, Stainless Steel, lower part,
with fixed base plate



16-0118/03

Assembling Table, PA, silencer



16-0110/01
Femur Assembling Plate, PP, femur



16-0110/02
Assembling Plate, PP, tibia,
 for Endo-Model SL

16-0110/03
Assembling Plate, PP, tibia,
 for Endo-Model



16-0111/01
Assembling Protector, PP, for male taper



16-0111/02
Assembling Protector, PP, for female taper



Assembling Protectors, PP

16-0112/01 size 1

16-0112/02 size 2

16-0112/03 size 3



16-0113/01
Metal Core, for assembling protector,
 Stainless Steel, for modular stem (sizes 1-3)



16-0114/01

Assembling Protector, femur, PP,
handle, complete



16-0114/02

Spare Part-Block, PP, for 16-0114/01 assembling protector femur
(2 ea. included)

Spare part included in 16-0114/01



16-0114/03

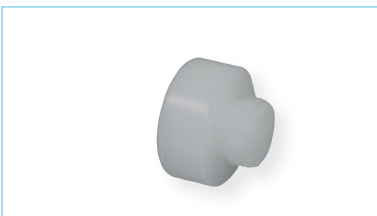
Spare Part-Plate, PP, for 16-0114/01 assembling protector femur

Spare part included in 16-0114/01



16-0115/01

Mallet, non-resilient, 800g, Stainless Steel,
PA, complete



16-0115/02

Spare-Part, PA, for 16-0115/01 mallet

Spare part included in 16-0115/01



16-0116/02

Hex Screwdriver, Stainless Steel,
hex 5.0 mm

Description of Use: Mounting the Assembling Table

The assembling table is mounted before the operation as illustrated below.

The upper part of the assembling table (16-0118/01) and the silencer (16-0118/03) are assembled in sterile condition. The lower part (16-0118/02) with fixed base plate may be kept non-sterile.



The silencer is screwed onto the lower part.



The upper part of the table is attached.

In use of the assembling table, place foot on fixed base plate to prevent the table from toppling over.

The table is dismantled in reverse order.

Description of Use: Connecting modular Stems to Modular Femoral and Tibial Components



The femur assembling plate (16-0110/01) is placed into the reception of the upper part of the assembling table (16-0118/01).



According to the chosen size of modular stem, the metal core (16-0113/01) is screwed into assembling protector for modular stem, size 1-3 (16-0112/01-03).



Prosthesis stem and femoral joint component are connected by hand (the taper surfaces must be clean and dry) and, observing



the 6° valgus alignment of the femoral implant, placed on the assembling plate so that the prosthesis stem is vertical. If not, the implant assembly must be rotated 180°.

As shown in the picture, the components are struck with two powerful blows of the non-resilient mallet (16-0115/01) in order to firmly engage the taper connection (the second blow is a safety measure). The metal face of the mallet must only be used.



When using modular tibial implants, the tibial assembling plate (16-0110/02 or 16-0110/03) is first placed into the reception of the upper part of the table.



Proceed according to the assembly of modular femoral implant. Before using the locking screws, the taper connections must be connected firmly as described, using the assembling instruments.

Description of Use: Connecting Stem Elements



The assembling protector for female taper (16-0111/02) is placed into the reception of the assembling table upper part.



Attaching the selected stem segment.



Attaching the stem segment to be connected and the assembling protector for male taper (16-0111/01).

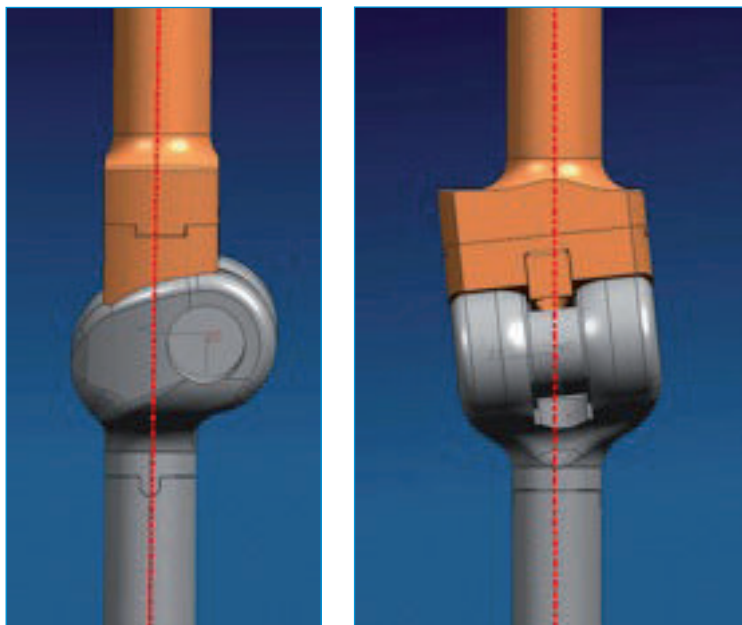


Assemble the stem segments with two blows of the non-resilient mallet, using the metal face of the mallet only.

Description of Use and Mounting of the Femur Assembling Protector

Use

The assembling protector femur (16-0114/01) is always used if the surgical procedure does not permit assembly of implant components outside the operating field (e.g. connecting femoral joint components to push-through stems). The instrument compensates for the valgus geometry of the knee implant and permits the engagement of the tapers in axial alignment in the transverse and sagittal plane.



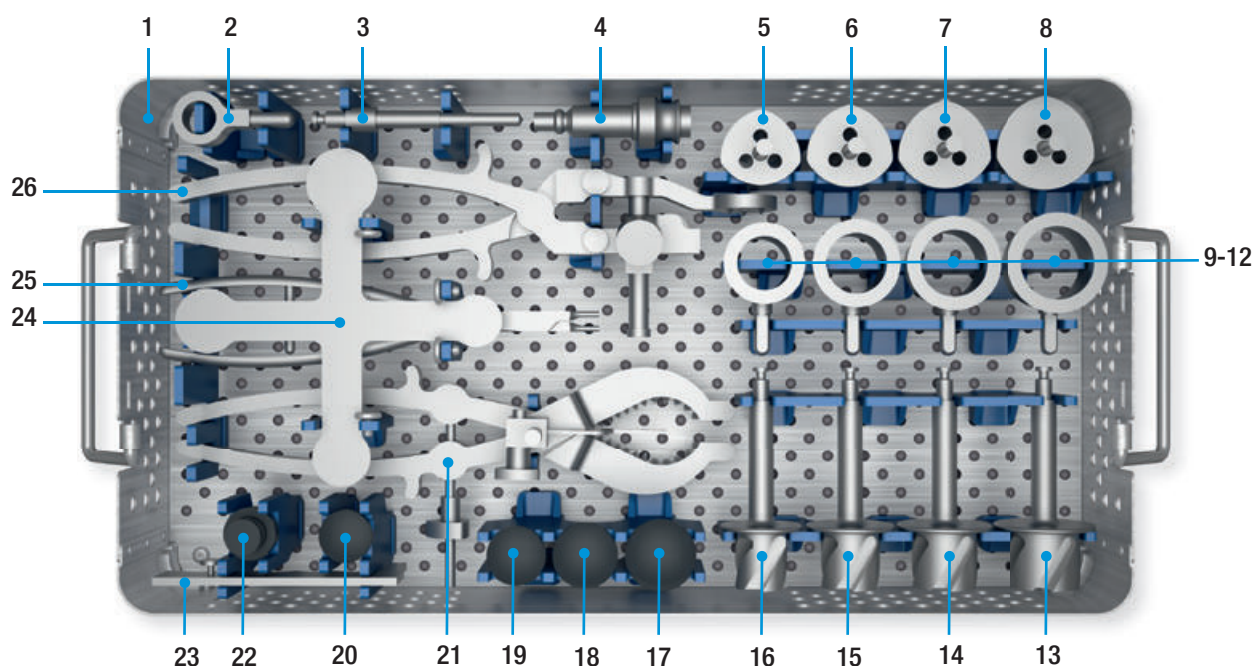
Its use enables taper engagement in axial alignment.

Assembly

The assembling protector femur is mounted as shown in below illustration. First the plate is connected to the handle so that, depending on the side being operated on, the letters “R” for the right side or the letters “L” for the left side are lined up. In the illustration the right side is chosen. Consecutively the block for assembling protector is secured using the hex screwdriver. The two arrows (of block and plate) must point toward each other.



340-200/01 Instrument Set, Patella Resurfacing, 3-pegs



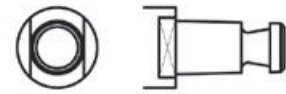
1	340-015/01	Instrument Tray, Stainless Steel, empty, L = 478 mm, W = 253 mm, H = 100 mm
2	340-007	Patella Pusher Attachment, Stainless Steel
3	340-306B	Patella Drill, Stainless Steel, Ø 6.3 mm, Hudson fitting (B)
4	optional*	Adapter, optional
		Patella Drill Guides, Stainless Steel, for patella holding forceps
5	340-225	Size 1 Ø 25 mm
6	340-228	Size 2 Ø 28 mm
7	340-231	Size 3 Ø 31 mm
8	340-234	Size 4 Ø 34 mm
		Patella Reaming Guides, Stainless Steel, for patella holding forceps
9	340-025	Size 1 Ø 25 mm
10	340-028	Size 2 Ø 28 mm
11	340-031	Size 3 Ø 31 mm
12	340-034	Size 4 Ø 34 mm
		Patella Reamers, Stainless Steel, for patella reaming guides, Hudson fitting (B)
13	340-134B	Size 4 Ø 34 mm
14	340-131B	Size 3 Ø 31 mm
15	340-128B	Size 2 Ø 28 mm
16	340-125B	Size 1 Ø 25 mm
		Patella Trial Prostheses, Stainless Steel, for Patella Component 3-pegs
17	340-334	Size 4 Ø 34 mm
18	340-331	Size 3 Ø 31 mm
19	340-328	Size 2 Ø 28 mm
20	340-325	Size 1 Ø 25 mm
21	340-006	Patella Resection Clamp, Stainless Steel
22	340-009	Patella Pusher Inserter, PP, for patella pusher attachment
23	65-2000	Townley Femur Caliper, Stainless Steel, L = 115 mm, working L = 100 mm
24	340-010	Patella Sizing Template, Stainless Steel
25	15-2042	Inserting Forceps, Stainless Steel, L = 215 mm
26	340-005	Patella Holding Forceps, Stainless Steel

* Adapter optional: 16-3283/01, 16-3284/00, 16-3285/00

Additional Instruments

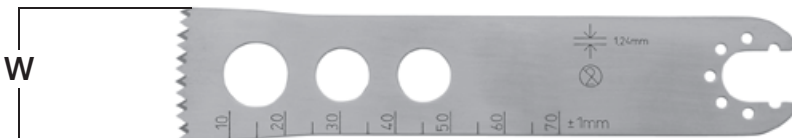
Adapter, Stainless Steel, Hudson Fitting (B)

Various adapters to enable compatibility with other equipment connections.

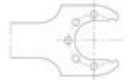





Hudson Fitting (B),
female, Basic tool
connection

REF	Fittings
16-3283/01	Jacobs Fitting, male 
16-3284/00	AO Fitting, male 
16-3285/00	Harris Fitting, male 



Sawblades, Stainless Steel,
without offset teeth, 1.24 mm thick

wide W = 25 mm	small W = 13 mm	Fittings
317-654/10	317-656/10	Synthes 
317-654/11	317-656/11	Aesculap combi 
317-654/13	317-656/13	Zimmer / Hall combi 
317-654/14	317-656/14	Stryker System 4 

Additional Instruments



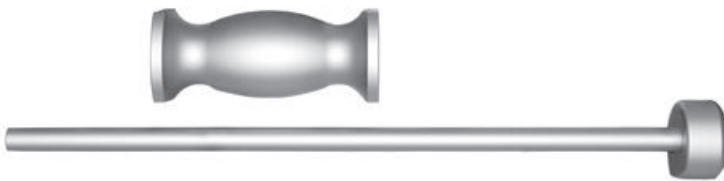
Revision Drill Guide, Stainless Steel, for rotating hinge and pure hinge version, to support the axis decoupling when changing the Endo-Model SL connection components

REF	complete
16-3295/00	consisting of 4 components: Retainer, Drill Rod, 2 Rods with handle



Extractor, Stainless Steel, for modular stems with female taper, taper 12/10 mm

REF	Length (mm)
15-0036/81	230



Guide Rod with Slap Hammer, Stainless Steel (optional for stem extraction: Guide Rod 317-661 in combination with Driver Extractor 15-8516/45 or 15-0036/81)

REF	Length (mm)
317-661	365



Hex Screwdriver, Stainless Steel, hex 2.5 mm, 90°

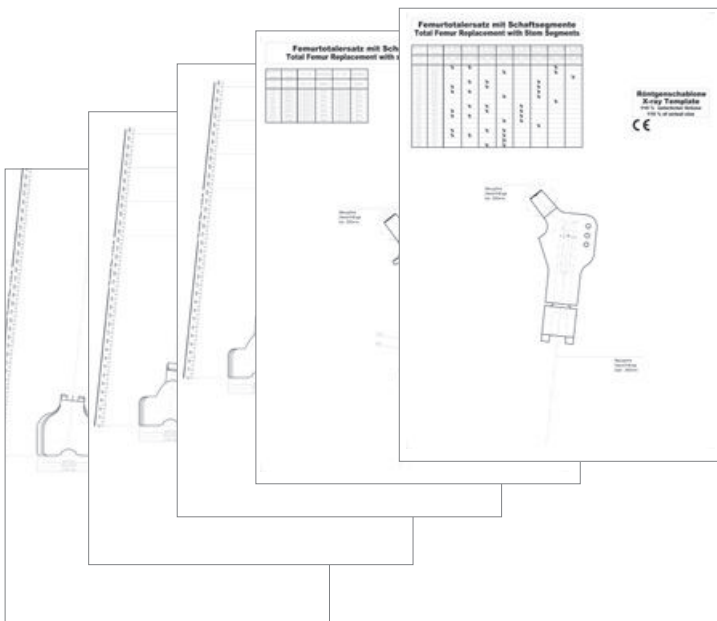
REF	Length (mm)
16-1230/00	139



Hex Screwdriver, with metal handle, Stainless Steel, hex 2.0 mm

REF	Length (mm)
64-1181/16	175

X-ray Templates



X-ray Templates,
110% of actual size, PVC transparent,
22 sheets

REF	
15-8516/62	MEGASYSTEM-C/ ENDO-MODEL SL

Surface Modifications (available as custom-made prosthesis on request)

a) Uncemented Modular Stems PoroLink* optional with HX** coating.

- * PoroLink: grid blasted titanium surface Ra ~7µm
- ** HX: CaP = Calcium Phosphate coating

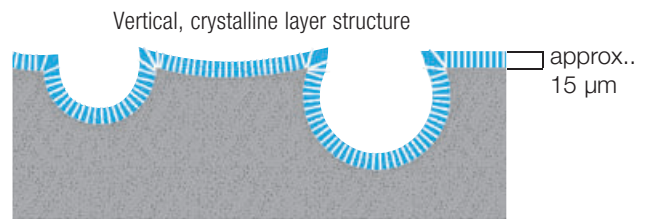


Fig.: PoroLink* with HX** coating.
Schematic cross-section of coated surfaces.



b) Bone Replacement Components CoCrMo for metal hypersensitive patients, optional with LINK PorEx*** Technology.

*** LINK PorEx: TiNbN = Titanium Niobium Nitride



c) Bone Replacement Components (no intramedullary stems) with PorAg****

- **** PorAg: antimicrobial surface modification
- TiAgN/Ag = titanium silver nitride/silver surface modification



**MEGASYSTEM-C
Tumor and Revision System**

- Surgical Technique

**Endo-Model SL
Rotating and Pure Hinge
Knee System**

- Surgical Technique



**TrabecuLink
Femoral and Tibial Cones**

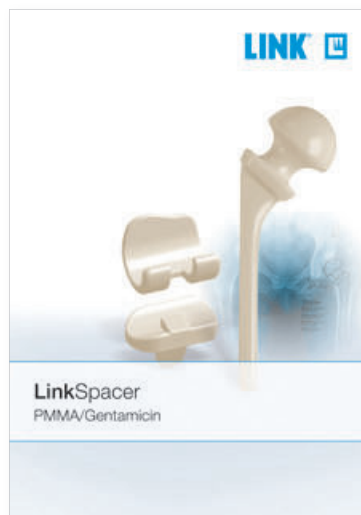
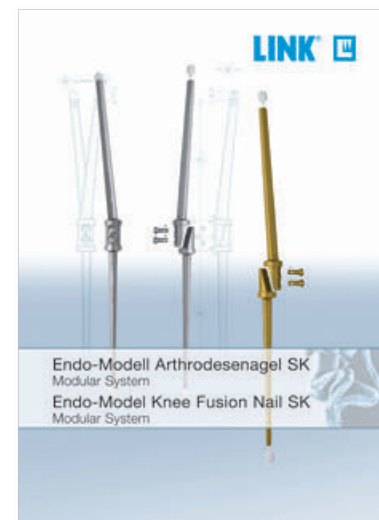
- Surgical Technique



**MP Reconstruction
Prosthesis System**

- Surgical Technique

**Endo-Model
Knee Fusion Nail SK,
• Surgical Technique**



**LinkSpacer
PMMA/Gentamicin**



For more information please register for our LINK Media Library (link-ortho.com)

Please note the following regarding the use of our implants:

Follow the instructions for use!

For detailed product information, including indications and contraindications, precautions and warnings, etc. please consult the product's Instructions for Use (IFU) prior to use.



eifu.link-ortho.com

Waldemar Link GmbH & Co. KG, Hamburg, Germany

All content in this catalog, including text, pictures and data, is protected by law. Every instance of use, whether in part or in whole or which is not permitted by law, is subject to our prior consent. This applies in particular to the reproduction, editing, translation, publishing, saving, processing, or passing on of content stored in databases or other electronic media and systems, in any manner or form. The information in the catalogs is solely intended to describe the products and does not constitute a guarantee.

The Surgical Technique described has been written to the best of our knowledge and belief, but it does not relieve the surgeon of their responsibility to duly consider the particularities of each individual case.

Products shown in this document may not be available in your country. The product availability is subject to the approval and/or registration regulations of the respective country. Please contact Waldemar Link GmbH & Co. KG if you have questions about the availability of LINK products in your country.

Waldemar Link GmbH & Co. KG and/or other corporate affiliated entities own, use or have applied for the following trademarks in many jurisdictions: LINK, BiMobile, SPII, Modell Lubinus, E-Dur, EndoDur, T.O.P. II, BetaCup, CombiCup PF, CombiCup SC, CombiCup R, MobileLink, C.F.P., LCU, SP-CL, LCP, MIT-H, Endo-Model, Endo-Model SL, MP, MEGASYSTEM-C, GEMINI SL, SPAR-K, LCK, HX, TiCaP, X-LINKed, PorAg, LINK PorEx, BiPorEx, PorEx-Z, TrabecuLink, Tilastan, customLink, RescueSleeve, VACUCAST.

Other trademarks and trade names may be used in this document to refer to either the entities claiming the marks and/or names or their products and are the property of their respective owners.

